

0.6" Ø LOW RELAXATION STRAND LAYOUT

DEBONDING LEGEND

- FULLY BONDED STRANDS
- ◻ STRANDS DEBONDED FOR 8'-0" FROM END OF GIRDER
- ◉ STRANDS DEBONDED FOR 6'-0" FROM END OF GIRDER
- ◄ STRANDS DEBONDED FOR 10'-0" FROM END OF GIRDER

0.6" Ø L. R. GRADE 270 STRANDS

AREA (SQUARE INCHES)	ULTIMATE STRENGTH (LBS. PER STRAND)	APPLIED PRESTRESS (LBS. PER STRAND)
0.217	58,600	43,950

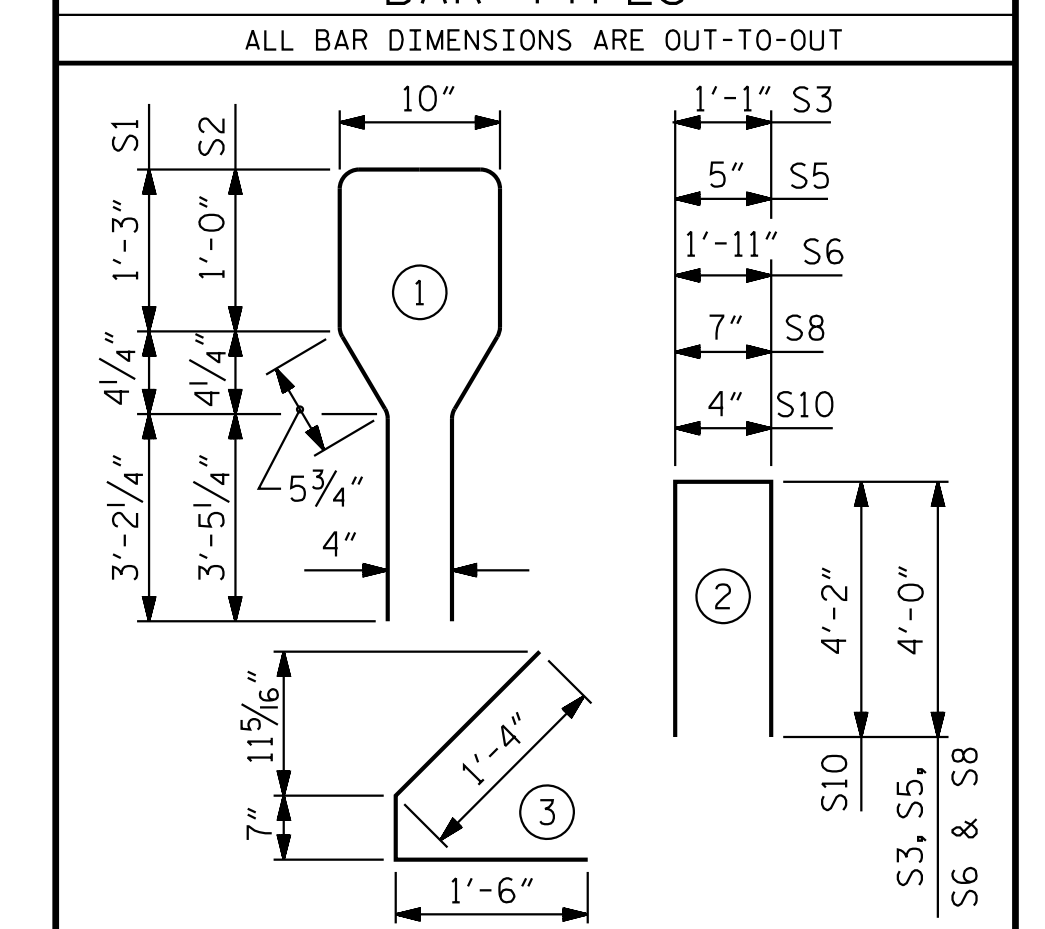
REINFORCING STEEL FOR ONE GIRDER

BAR	NUMBER	SIZE	TYPE	LENGTH	WEIGHT
S1	106	#4	1	10'-8"	755
S2	12	#6	1	10'-8"	192
S3	4	#4	2	9'-1"	24
S4	64	#4	3	3'-5"	146
S5	6	#4	2	8'-5"	34
*S7	12	#5	STR	3'-8"	46
S8	4	#4	2	8'-7"	23
S9	2	#3	STR	1'-10"	1
S10	2	#5	2	8'-8"	18
S11	5	#4	STR	7'-0"	23

* NOTE: S7 BARS SHALL BE BENT BEFORE SHIPMENT. HEAT BENDING SHALL NOT BE ALLOWED.

BAR TYPES

ALL BAR DIMENSIONS ARE OUT-TO-OUT

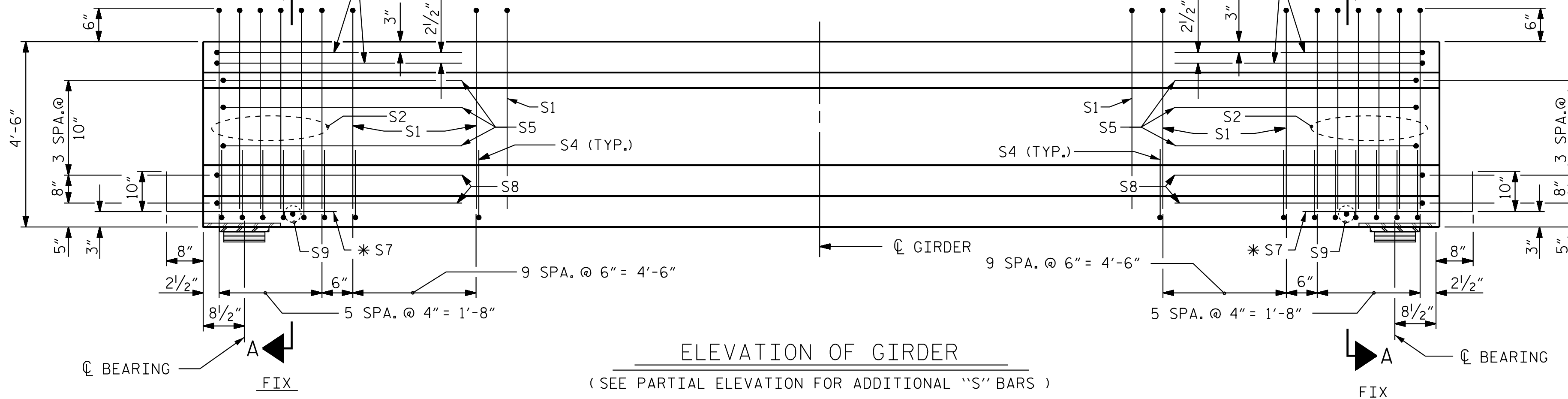
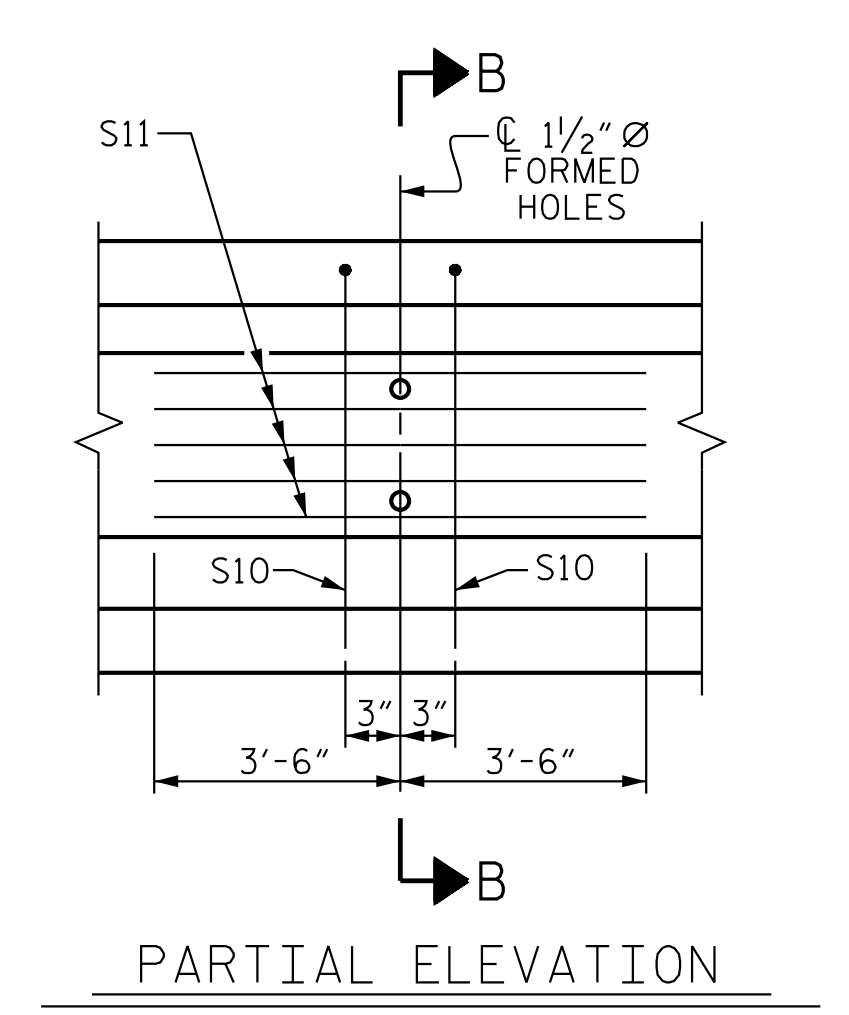
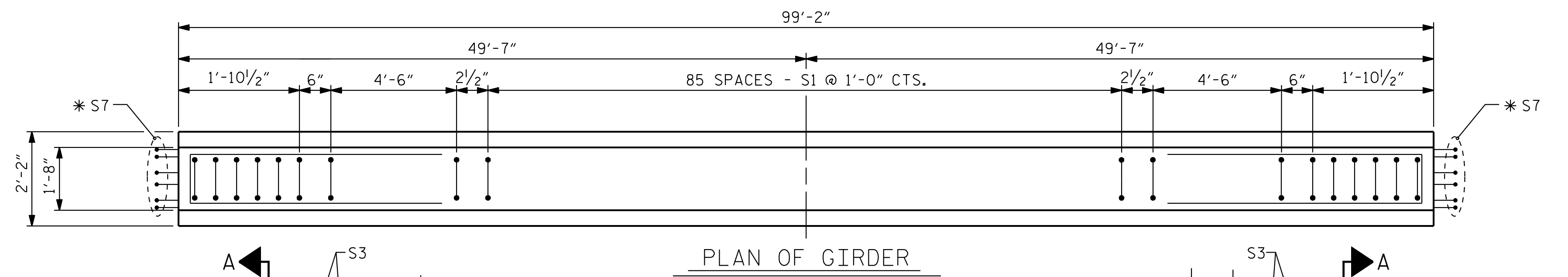


QUANTITIES FOR ONE GIRDER

	REINFORCING STEEL	8500 PSI CONCRETE	0.6" Ø L. R. STRANDS
	LB.	C.Y.	No.
SPAN C	1262	20.1	42

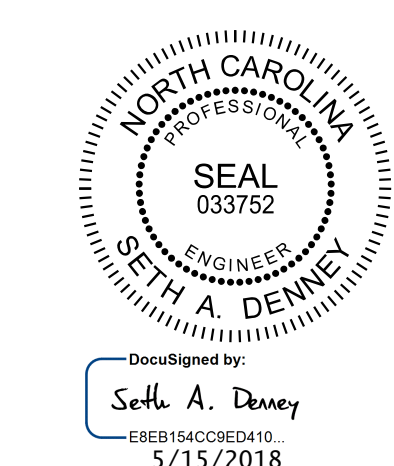
GIRDERS REQUIRED

NUMBER	LENGTH	TOTAL LENGTH
6	99'-2"	595'-0"



PARTIAL ELEVATION

SHOWING INTERMEDIATE DIAPHRAGM REINFORCING STEEL FOR GIRDER Nos. 1-6



Kimley»Horn

421 Fayetteville Street, Suite 600
Raleigh, NC 27601-1772
Phone (919) 677-2000 NC LICENSE # F-0102

DOCUMENT NOT CONSIDERED FINAL UNLESS ALL SIGNATURES COMPLETED

PROJECT NO. R-3822
HALIFAX COUNTY
STATION: 99+17.60 -L1-

SHEET 3 OF 5

STATE OF NORTH CAROLINA
DEPARTMENT OF TRANSPORTATION
RALEIGH

STANDARD
AASHTO TYPE IV
PRESTRESSED CONCRETE GIRDER
CONTINUOUS FOR LIVE LOAD
SPAN C

REVISIONS						SHEET NO. S-18
NO.	BY:	DATE:	NO.	BY:	DATE:	
1			3			TOTAL SHEETS 58
2			4			

K:\BIDI_Structures\Bridges\NC\01036392 - R-3822\Gc\Gc\Drawings\R3822-SMU-63-410208.dgn 5/14/2018

ASSEMBLED BY : D. D. LOWERY	DATE : 03/18
CHECKED BY : C. T. POOLE	DATE : 03/18
DRAWN BY : ELR 8/91	REV. 10/1/11
CHECKED BY : GRP 8/91	REV. 1/15
	REV. 12/17
MAA/GM	MAA/TMG
MAA/THC	