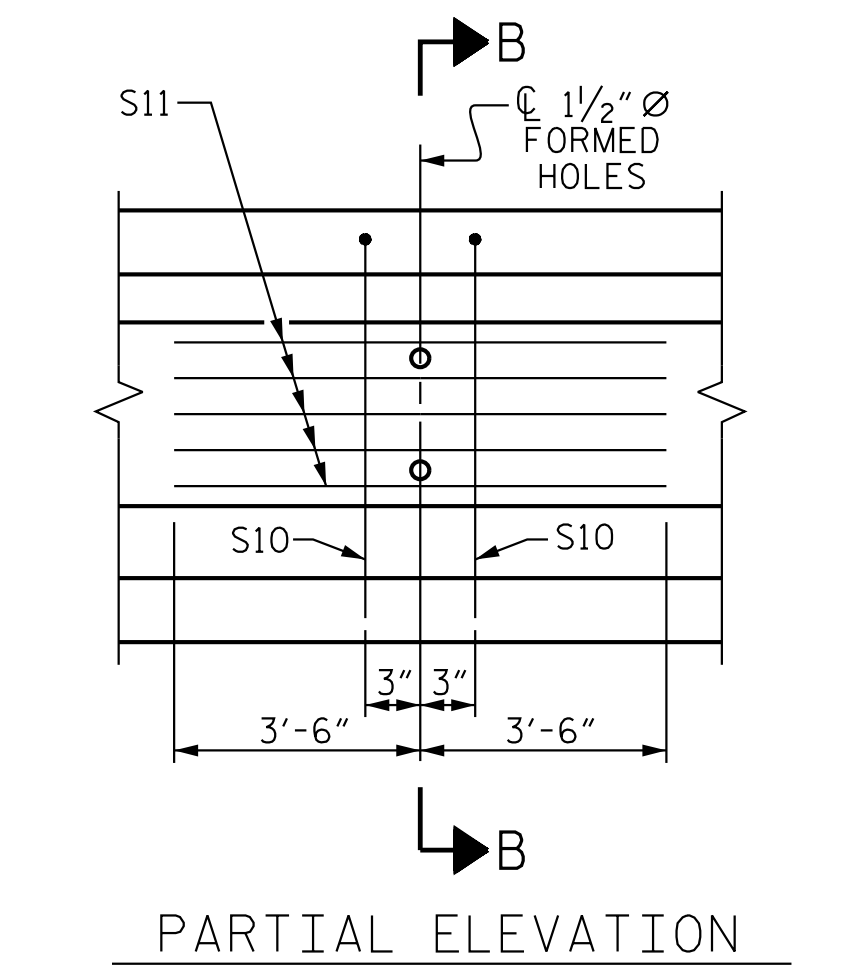
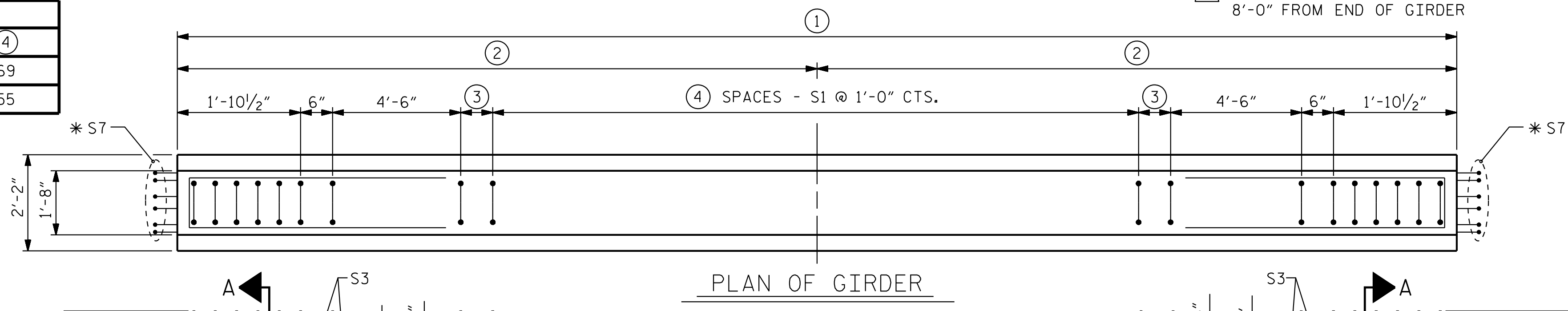
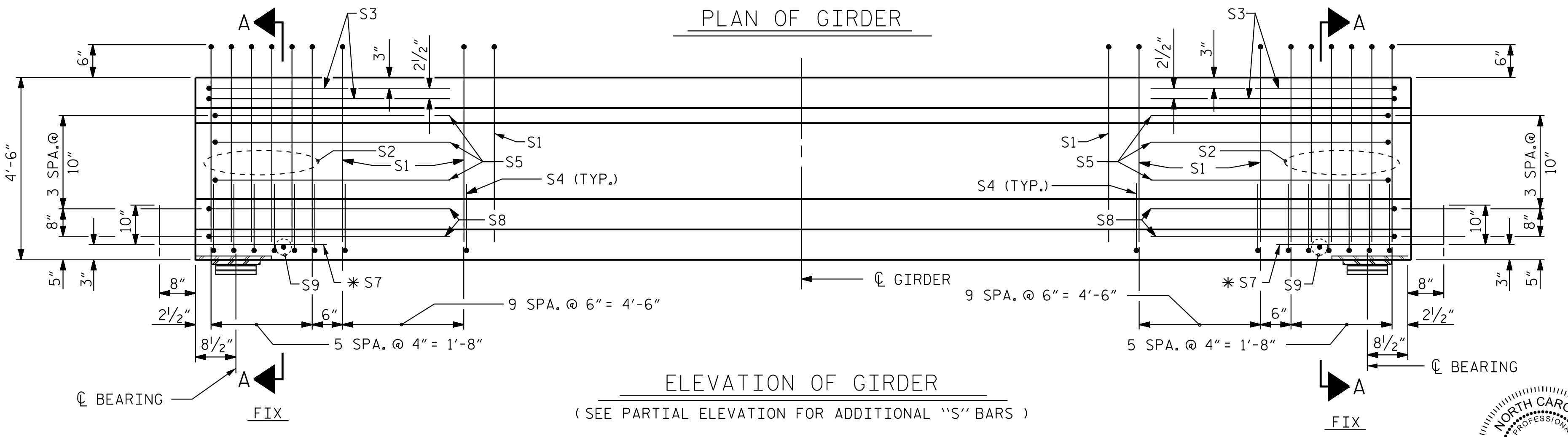


DEBONDING LEGEND
 ● FULLY BONDED STRANDS
 ◐ STRANDS DEBONDED FOR 4'-0" FROM END OF GIRDER
 ◑ STRANDS DEBONDED FOR 8'-0" FROM END OF GIRDER

TABLE OF DIMENSIONS				
SPAN	①	②	③	④
B	84'-2"	42'-1"	8 1/2"	69
D	69'-2"	34'-7"	2 1/2"	55



SHOWING INTERMEDIATE DIAPHRAGM REINFORCING STEEL FOR GIRDER NOS. 1-6



(SEE PARTIAL ELEVATION FOR ADDITIONAL "S" BARS)

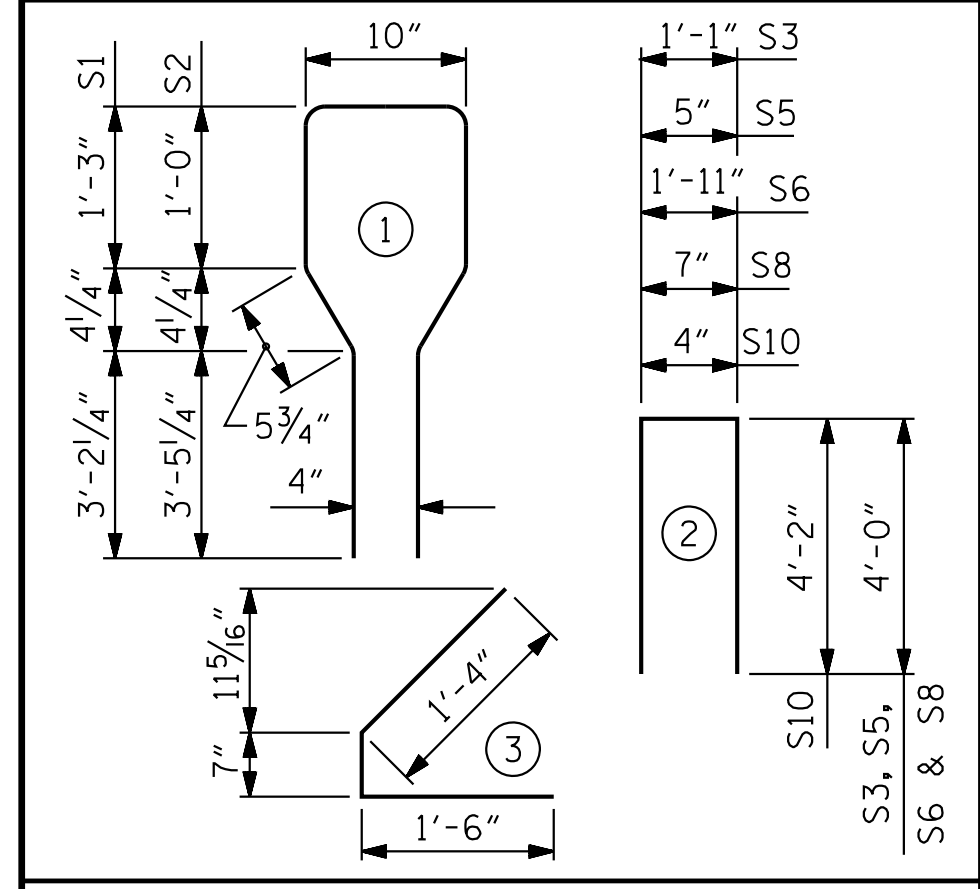
0.6" Ø L. R. GRADE 270 STRANDS		
AREA (SQUARE INCHES)	ULTIMATE STRENGTH (LBS. PER STRAND)	APPLIED PRESTRESS (LBS. PER STRAND)
0.217	58,600	43,950

REINFORCING STEEL FOR ONE GIRDER						
BAR	NUMBER	SIZE	TYPE	LENGTH	WEIGHT	
S1	90	#4	1	10'-8"	641	SPAN B
S1	76	#4	1	10'-8"	542	SPAN D
S2	12	#6	1	10'-8"	192	
S3	4	#4	2	9'-1"	24	
S4	64	#4	3	3'-5"	146	
S5	6	#4	2	8'-5"	34	
*S7	12	#5	STR	3'-8"	46	
S8	4	#4	2	8'-7"	23	
S9	2	#3	STR	1'-10"	1	
S10	2	#5	2	8'-8"	18	
S11	5	#4	STR	7'-0"	23	

* NOTE: S7 BARS SHALL BE BENT BEFORE SHIPMENT. HEAT BENDING SHALL NOT BE ALLOWED.

BAR TYPES

ALL BAR DIMENSIONS ARE OUT-TO-OUT



QUANTITIES FOR ONE GIRDER

	REINFORCING STEEL	8500 PSI CONCRETE	0.6" Ø L. R. STRANDS
	LB.	C.Y.	No.
SPAN B	1148	17.1	30
SPAN D	1049	14.0	30

GIRDERS REQUIRED

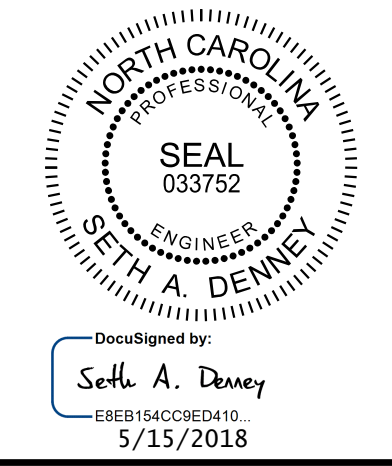
	NUMBER	LENGTH	TOTAL LENGTH
SPAN B	6	84'-2"	505'-0"
SPAN D	6	69'-2"	415'-0"

PROJECT NO. R-3822
 HALIFAX COUNTY
 STATION: 99+17.60 -L1-

SHEET 2 OF 5

STATE OF NORTH CAROLINA
 DEPARTMENT OF TRANSPORTATION
 RALEIGH
 STANDARD
 AASHTO TYPE IV
 PRESTRESSED CONCRETE GIRDER
 CONTINUOUS FOR LIVE LOAD
 SPAN B & SPAN D

REVISIONS						SHEET NO. S-17
NO.	BY:	DATE:	NO.	BY:	DATE:	
1			3			TOTAL SHEETS 58
2			4			



Kimley»Horn
 421 Fayetteville Street, Suite 600
 Raleigh, NC 27601-1772
 Phone (919) 677-2000 NC LICENSE # F-0102

DOCUMENT NOT CONSIDERED FINAL
 UNLESS ALL SIGNATURES COMPLETED

K:\BIDI_Structures\Bridges\NC\011035392 - R-3822\cadd\Drawn\3822.SMU.02.410208.dgn

ASSEMBLED BY : D. D. LOWERY	DATE : 03/18	
CHECKED BY : C. T. POOLE	DATE : 03/18	
DRAWN BY : ELR 8/91	REV. 10/1/11	MAA/GM
CHECKED BY : GRP 8/91	REV. 1/15	MAA/TMG
	REV. 12/17	MAA/THC