

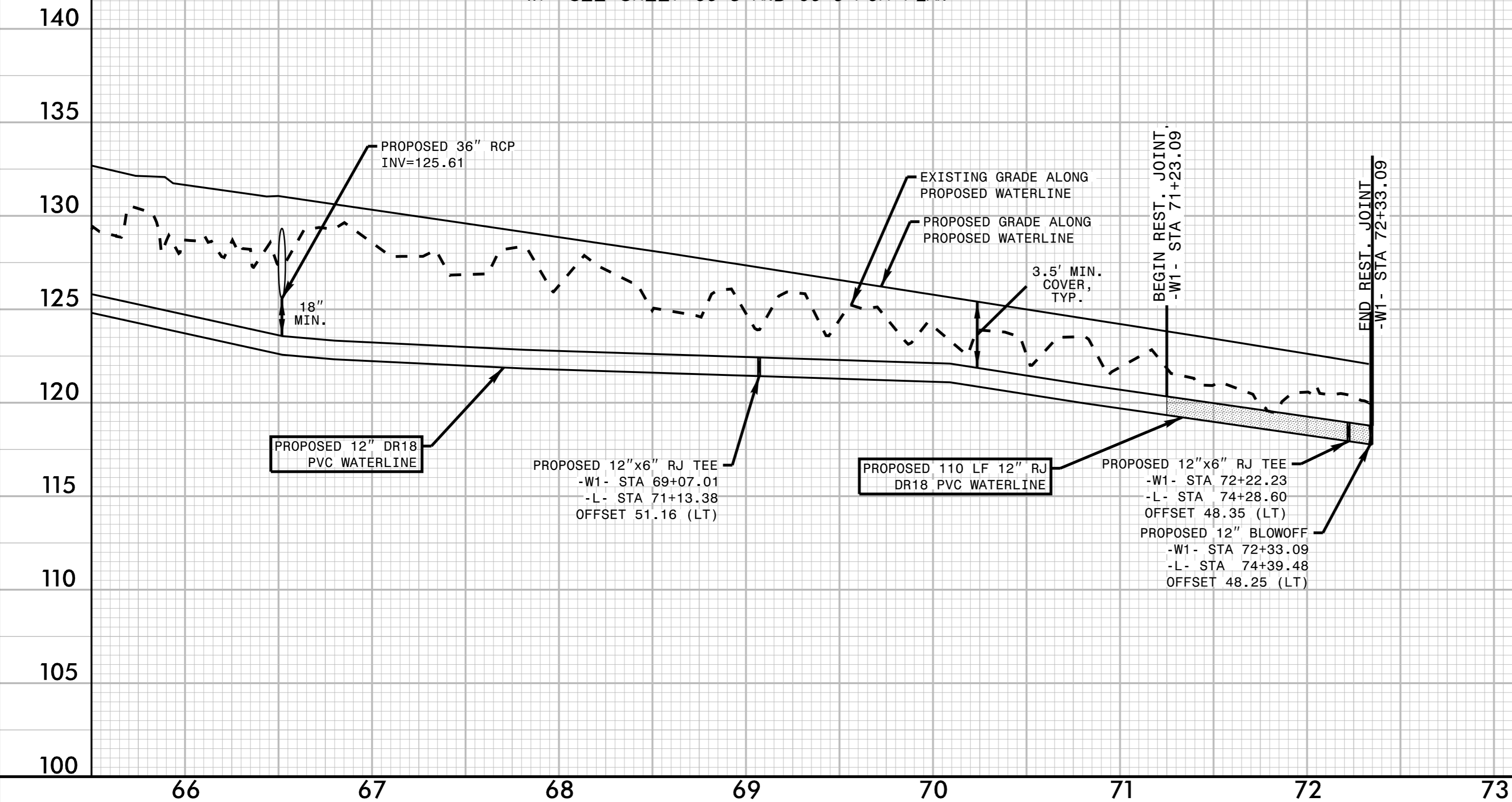
5/14/99



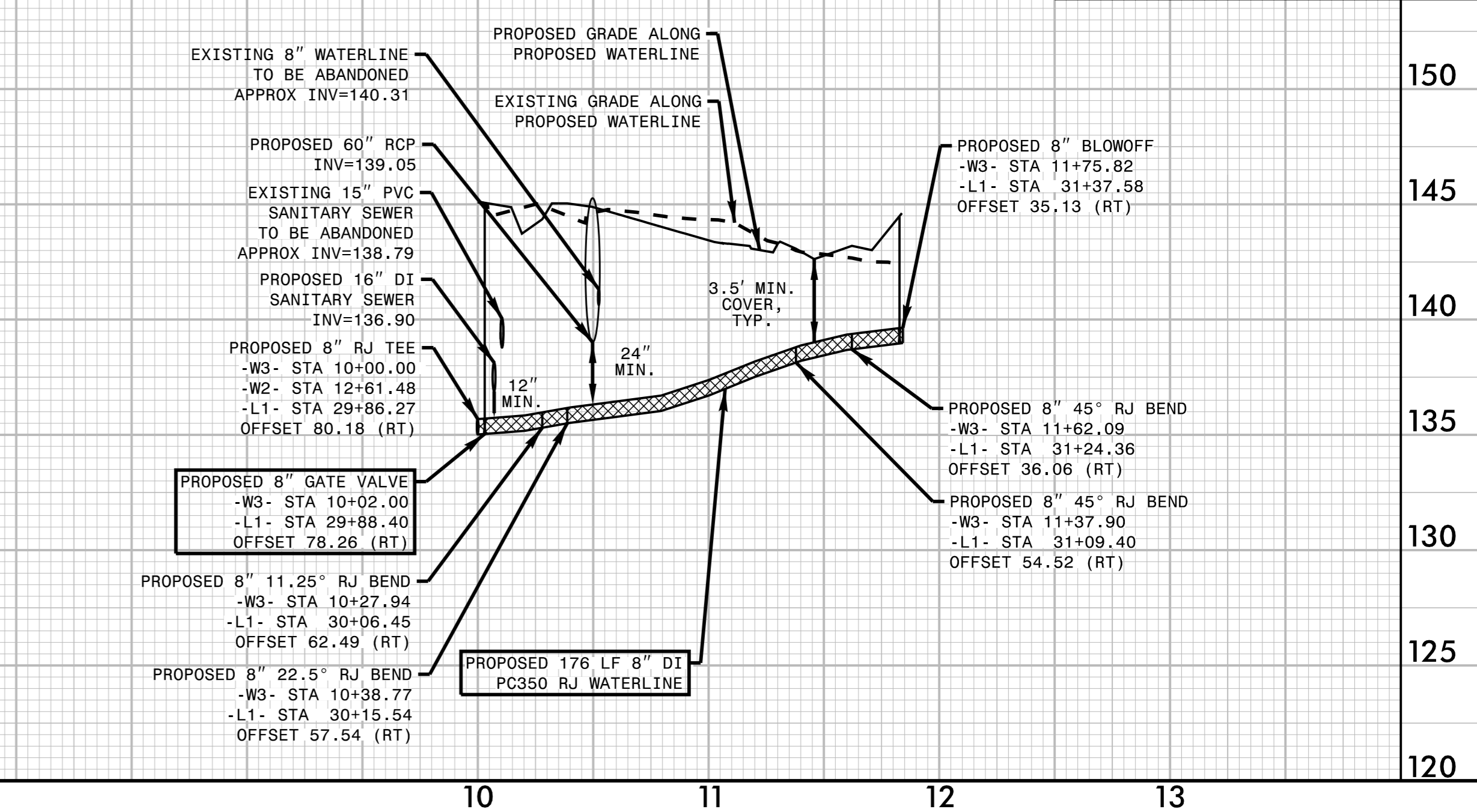
8/9/2018 2:37:22 PM EDT

**DOCUMENT NOT CONSIDERED FINAL
UNLESS ALL SIGNATURES COMPLETED**

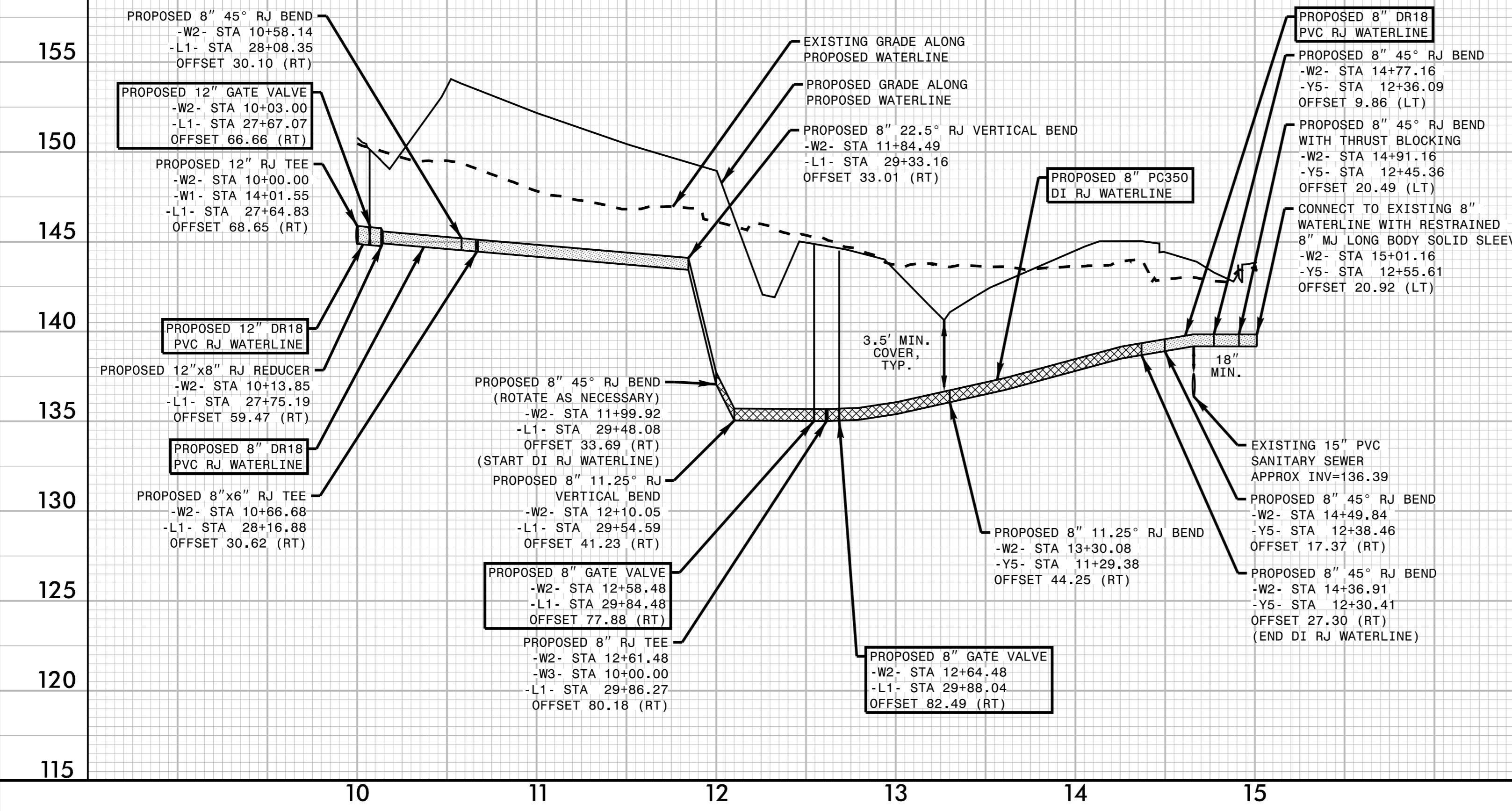
-W1- SEE SHEET UC-8 AND UC-9 FOR PLAN



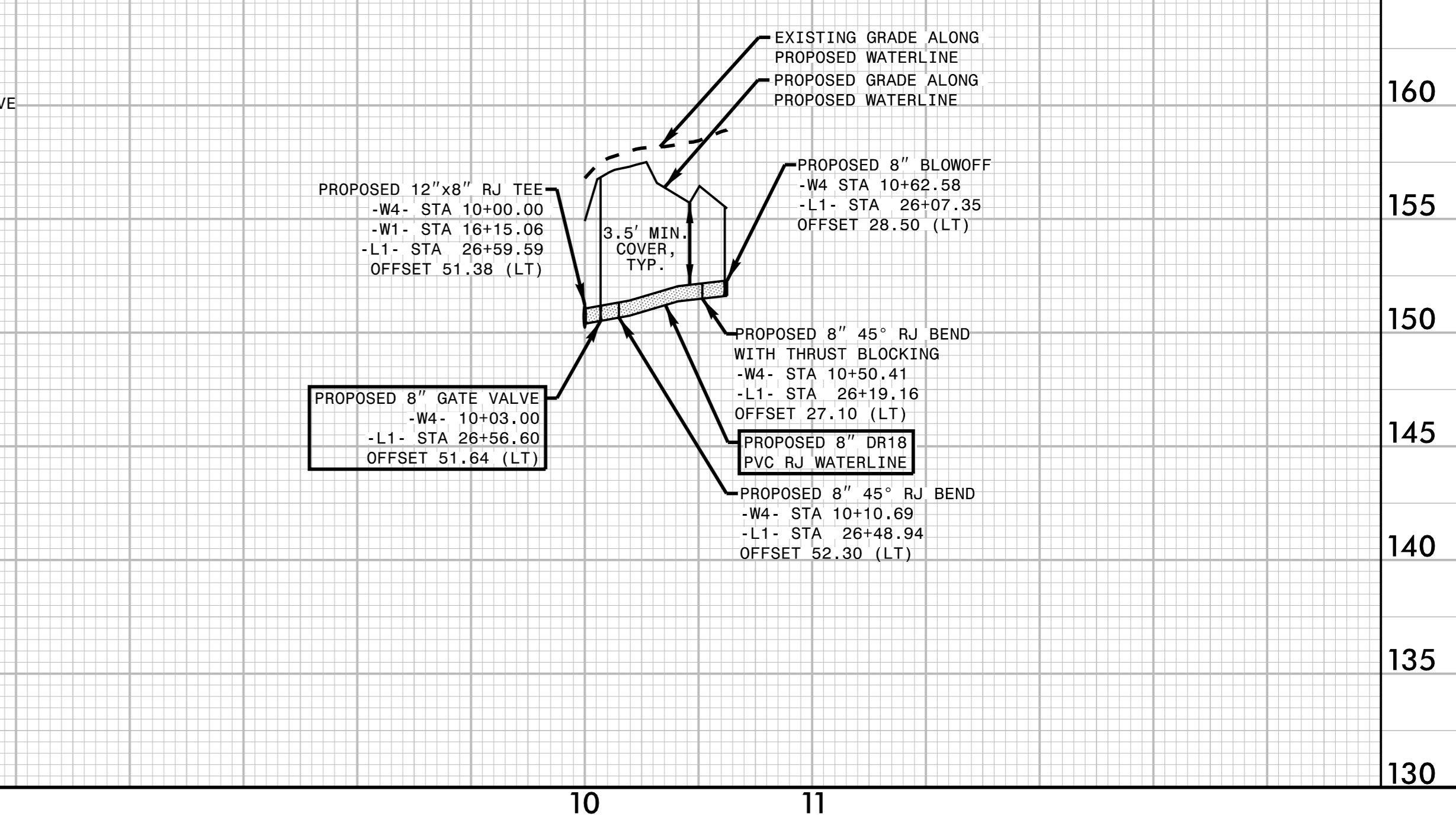
-W3- SEE SHEET UC-4 FOR PLAN



-W2- SEE SHEET UC-4 FOR PLAN



-W4- SEE SHEET UC-4 FOR PLAN



8/9/2008