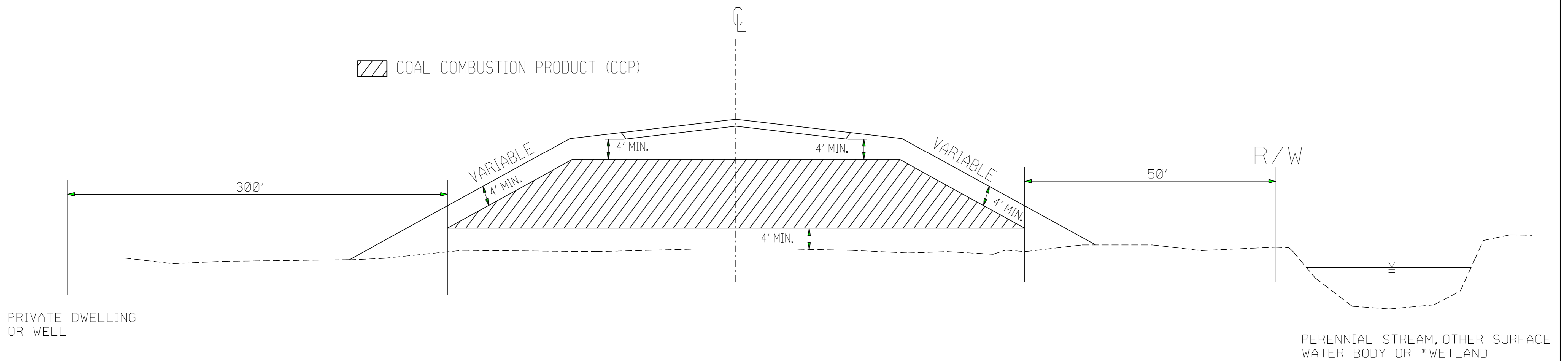


# COAL COMBUSTION PRODUCT PLACEMENT



PRIVATE DWELLING OR WELL

PERENNIAL STREAM, OTHER SURFACE WATER BODY OR \*WETLAND

PLACE CCP IN HATCHED AREA IN ACCORDANCE WITH THE PROJECT SPECIAL PROVISIONS

PLACE CCP A MINIMUM OF 5' ABOVE SEASONAL HIGH GROUND WATER

PLACE AT LOCATIONS AS APPROVED BY THE ENGINEER

PLACE SOIL BORROW MATERIAL ON THE OUTSIDE OF CCP AS EACH LIFT OF CCP IS PLACED

\*(OBTAIN PERMISSION FROM ARMY CORPS OF ENGINEERS)

07-SEP-2017 08:21 S:\Contracts\Special Details\Jhower-ton\Coal Combustion Product Detail.dgn Jhower-ton AT CSD-292595

DOCUMENT NOT CONSIDERED FINAL UNLESS ALL SIGNATURES COMPLETED



<b>CONTRACT STANDARDS AND DEVELOPMENT UNIT</b>	
Office 919-707-6950 FAX 919-250-4119	
<b>COAL COMBUSTION PRODUCT PLACEMENT DETAIL</b>	
ORIGINAL BY: J.S.H.	DATE: 3/16/15
MODIFIED BY:	DATE:
CHECKED BY:	DATE:
FILE SPEC.: joel/coal_combustion_material_detail.dgn	