

**GENERAL NOTES:**

PROVIDE ALL CATCH BASINS OVER 3'-6" IN DEPTH WITH STEPS 12" ON CENTER. USE STEPS WHICH COMPLY WITH STD. DRAWING 840.66.

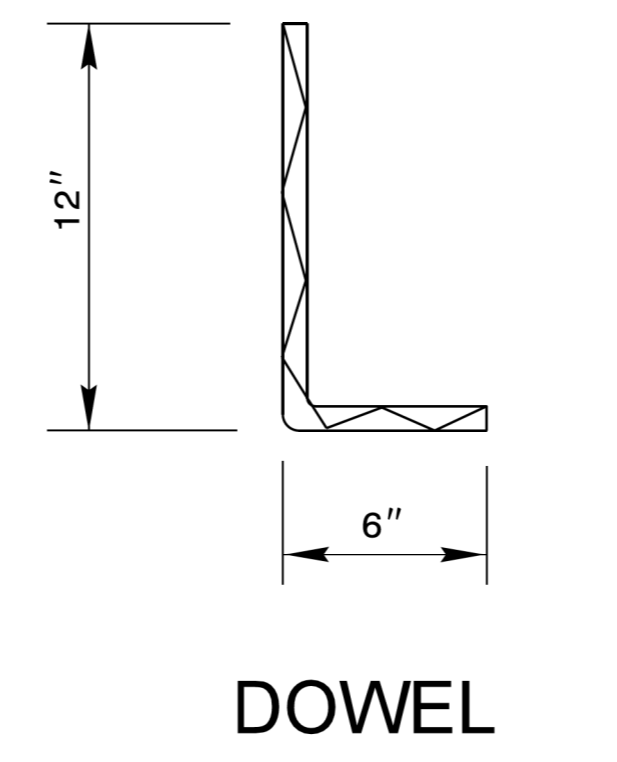
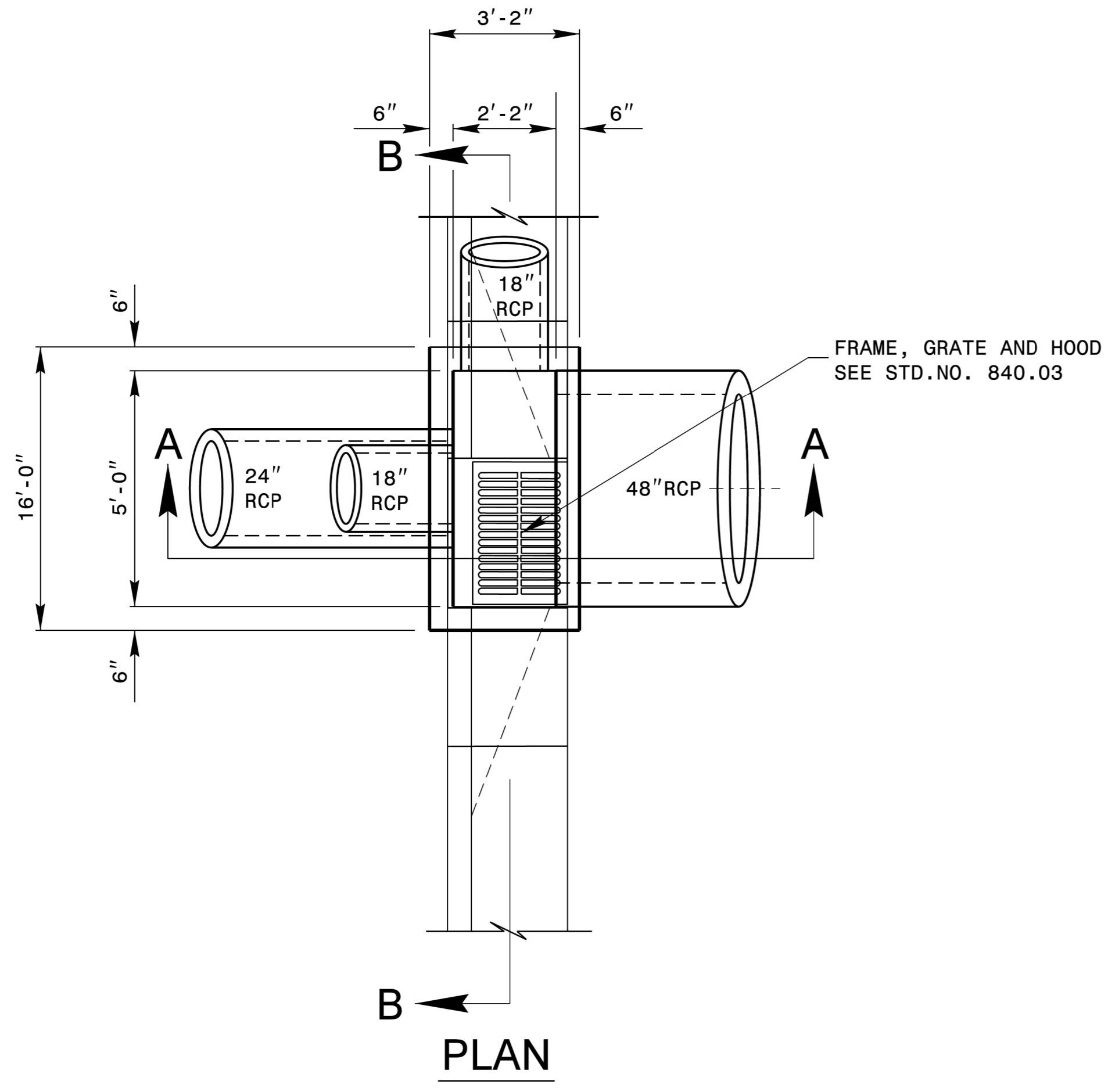
OPTIONAL CONSTRUCTION - MONOLITHIC POUR, 2" KEYWAY, OR #4 BAR DOWELS AT 12" CENTERS AS DIRECTED BY THE ENGINEER.

INSTALL CATCH BASIN IN POSITION AS DIRECTED BY THE ENGINEER. CUT AND BEND ALL REBAR CROSSING THIS OPENING TO ALLOW 2" MINIMUM CONCRETE COVERAGE.

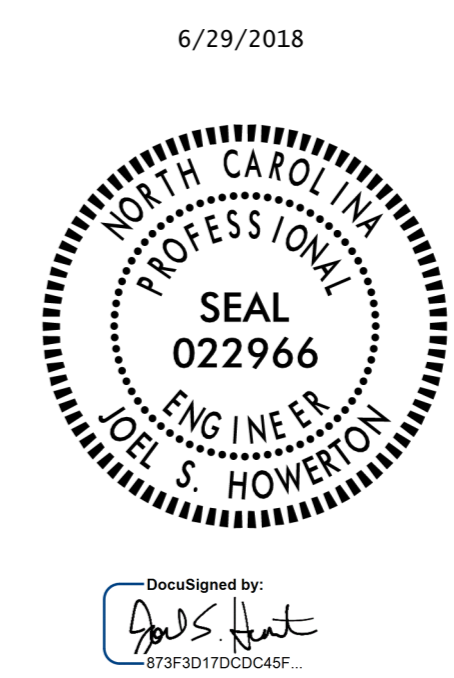
CHAMFER ALL EXPOSED CORNERS 1".

2" MINIMUM CONCRETE COVERAGE ON ALL REBAR.

DIMENSIONS MAY BE ADJUSTED AS DIRECTED BY THE ENGINEER.



BILL OF MATERIAL				
REINF. STEEL				
BAR	SIZE	LENGTH	NO.	WEIGHT
H1	#4	2'-10"	6	11
H	#4	2'-2"	7	10
DOWEL (OPTION)			14	
REINF. STEEL LBS.				21
TOTAL CON./R.C. CU. YDS.				2.6
DEDUCTION FOR 1-48" RCP'S				-0.4
DEDUCTION FOR 1-24" RCP				-0.1
DEDUCTION FOR 2-18" RCP				-0.1
CON./R.C. CU. YDS.				2.0



**DOCUMENT NOT CONSIDERED FINAL  
UNLESS ALL SIGNATURES COMPLETED**

**CONTRACTS STANDARDS  
AND DEVELOPMENT UNIT**  
Office 919-707-6950 FAX 919-250-4119

**DETAIL OF CATCH BASIN  
STR# 404**

ORIGINAL BY: \_\_\_\_\_ DATE: \_\_\_\_\_  
 MODIFIED BY: KKEMPF DATE: 4-10-18  
 CHECKED BY: \_\_\_\_\_ DATE: \_\_\_\_\_  
 FILE SPEC.: details/kkemp/english/u5725\_48\_2x60cb.dgn