

5/14/19

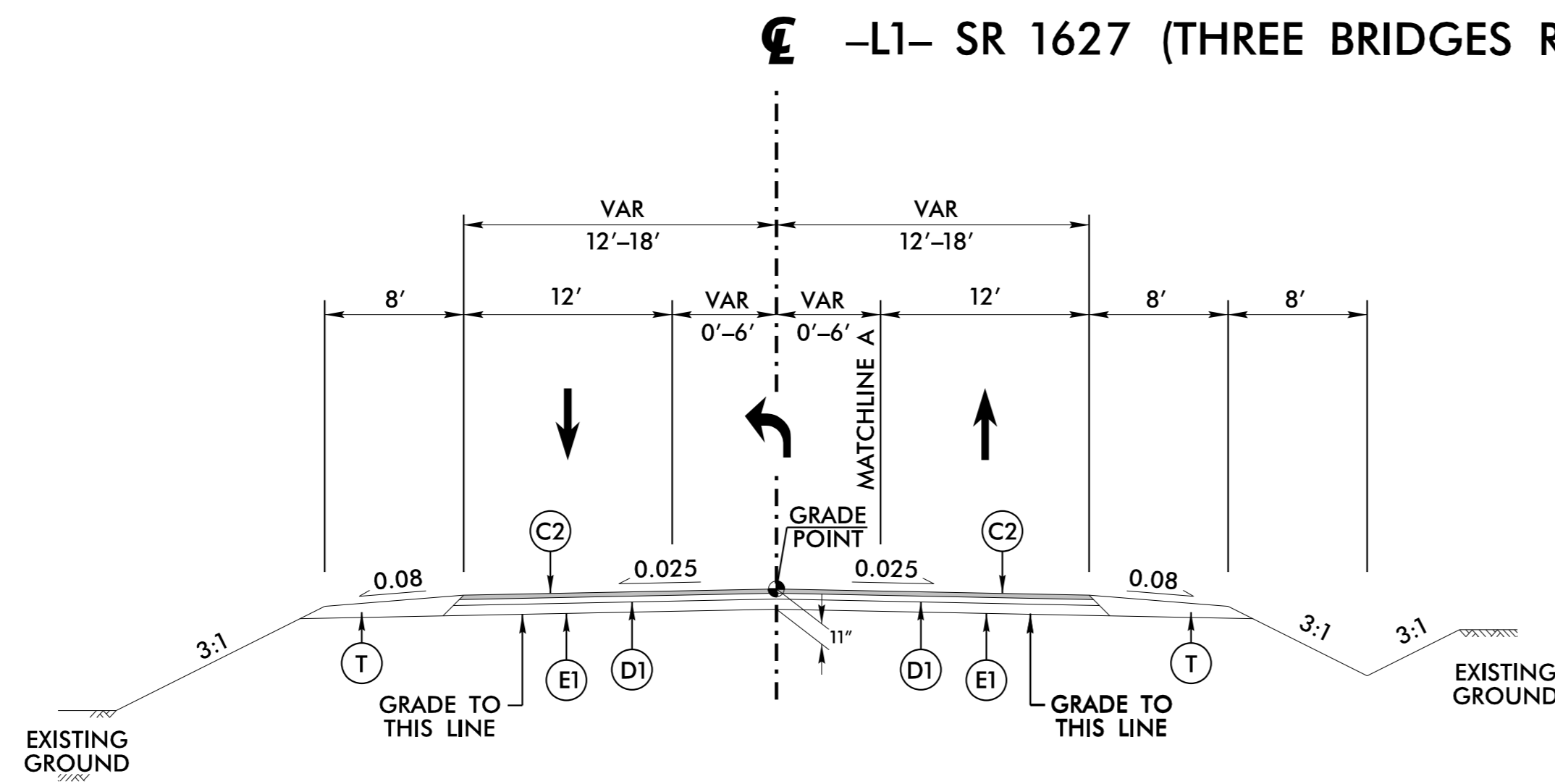
REVISIONS

**Kimley Horn**

421 FAYETTEVILLE STREET, SUITE 600  
RALEIGH, N.C. 27601. NC LICENSE #F-0102

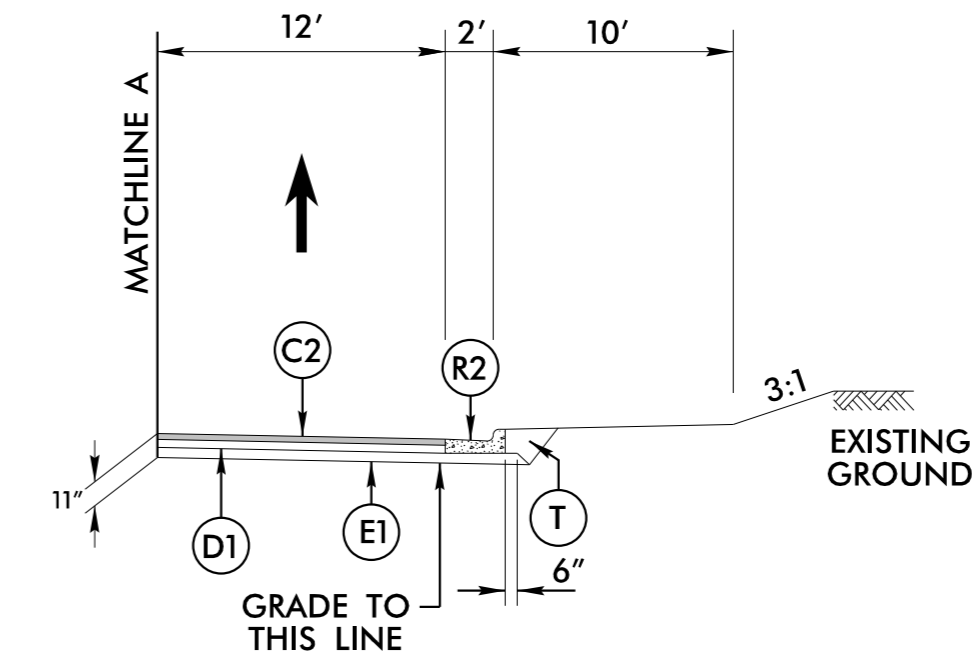
PROJECT REFERENCE NO. U-5725/R-3822	SHEET NO. 2A-4
ROADWAY DESIGN ENGINEER	PAVEMENT DESIGN ENGINEER

**DOCUMENT NOT CONSIDERED FINAL  
UNLESS ALL SIGNATURES COMPLETED**



**TYPICAL SECTION NO. 7**

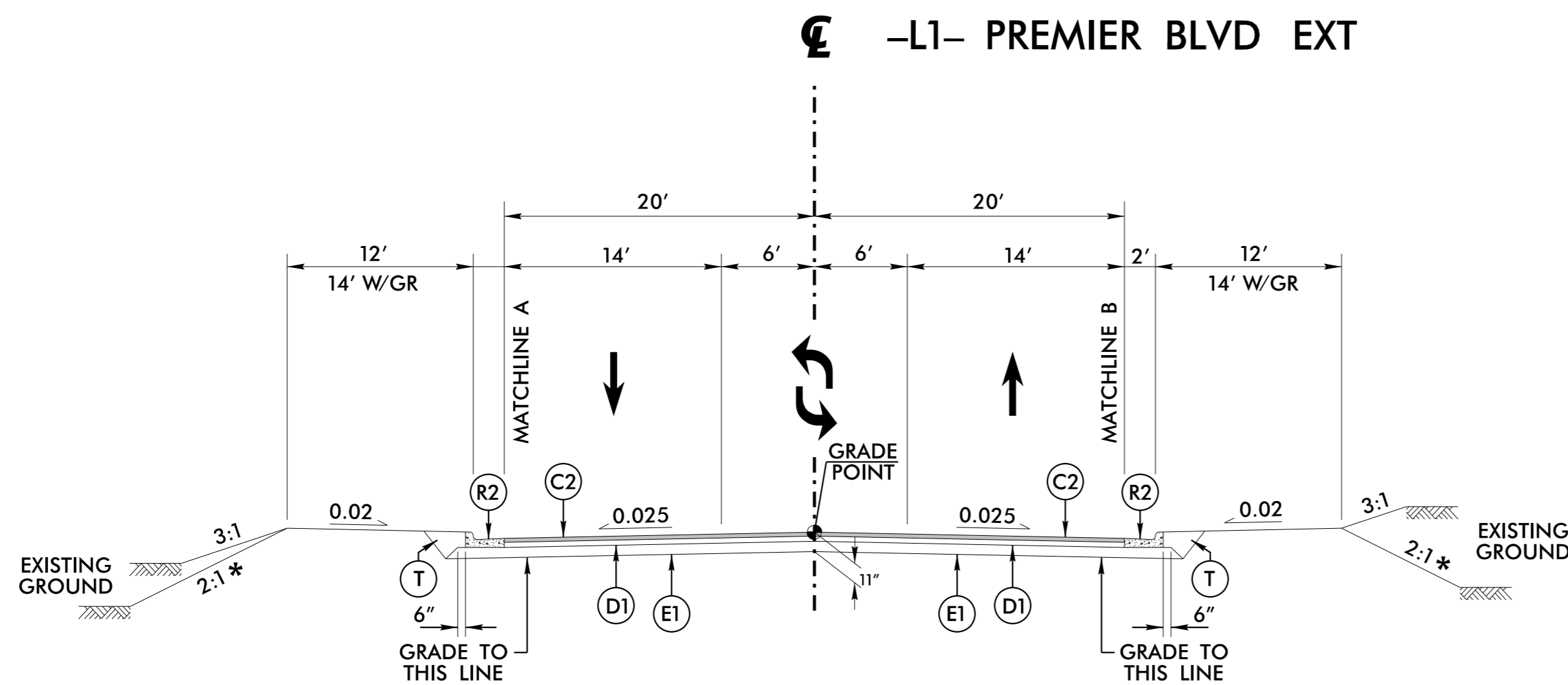
**-L1- STA 18+00.00 TO STA 26+72.21**



**INSET 7A**

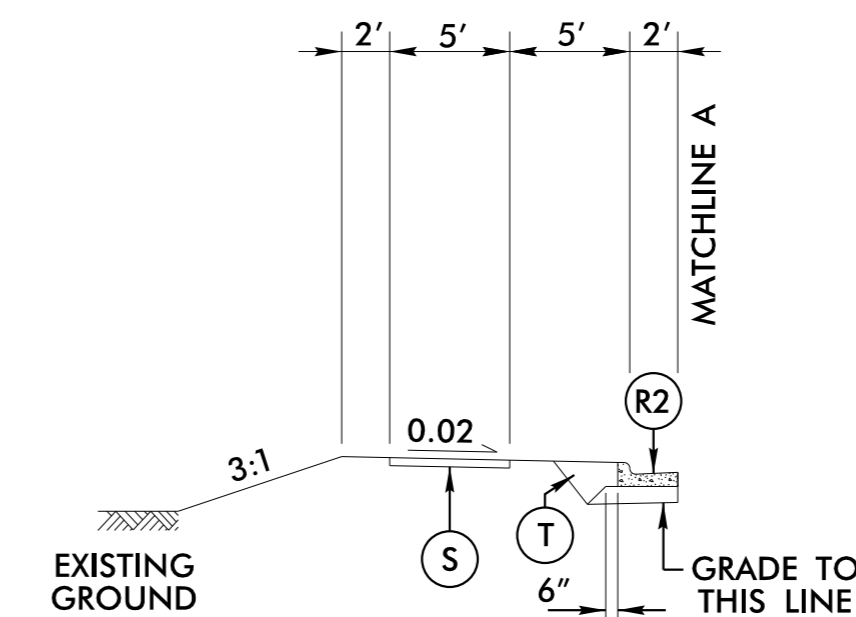
**-L1- STA 21+00.00 TO 26+72.21**

- TYPICAL SECTION NOTES:**
1. SEE PLAN SHEETS FOR SPECIFIC MEDIAN ISLAND LOCATIONS AND TYPES.
  2. SEE PARTIAL SECTIONS FOR EXCEPTIONS TO STATION LIMITS.
  3. SEE PLAN SHEETS FOR LANE TAPER LOCATIONS.
  4. SEE PLAN SHEETS FOR LANE TAPER LOCATIONS.
  5. PAVEMENT EDGE SLOPES 1:1 UNLESS OTHERWISE INDICATED.



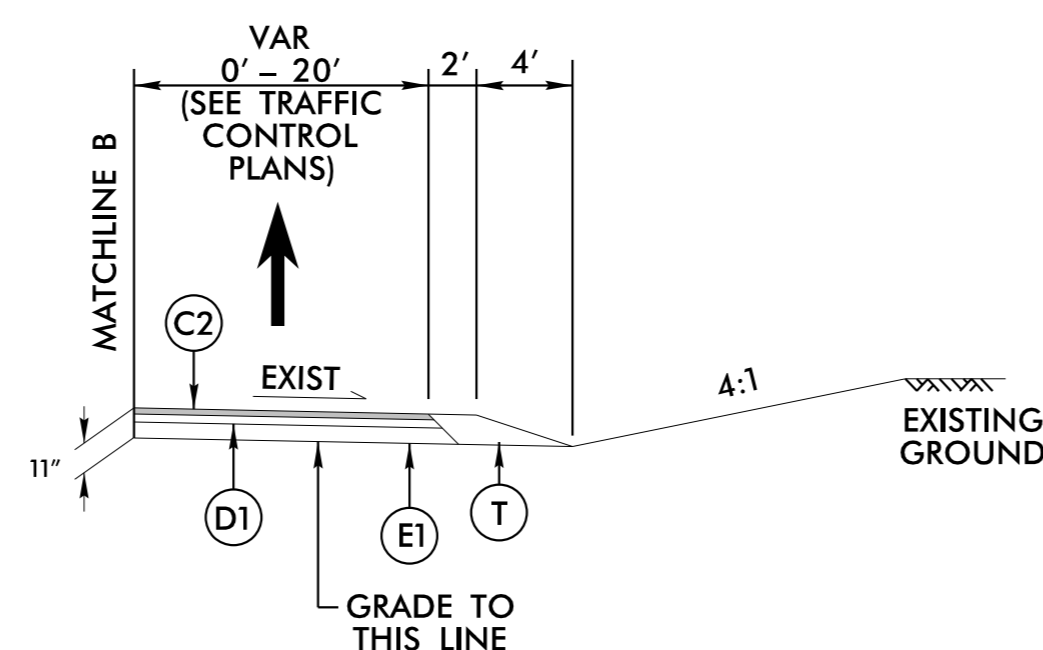
**TYPICAL SECTION NO. 8**

**-L1- STA 27+40.00 TO STA 97+12.60 (BEGIN BRIDGE)**  
**-L1- STA 101+22.60 (END BRIDGE) TO STA 106+00.00**



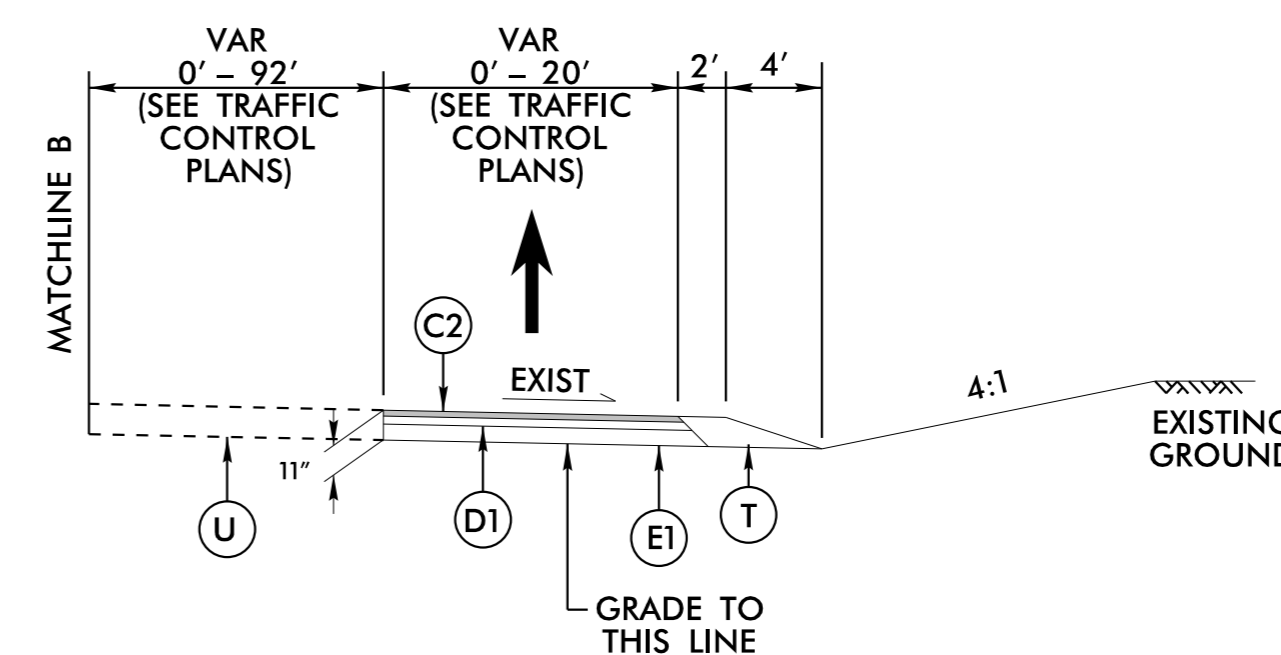
**INSET 8A**

**-L1- STA 101+22.60 (END BRIDGE) TO STA 106+00.00**



**INSET 8B**

**-L1- STA 28+63.10 TO STA 29+23.50**



**INSET 8C**

**-L1- STA 29+23.50 TO STA 30+16.14**

\* **-L1- STA 79+50.00 TO STA 80+00.00 (LT)**  
\* **-L1- STA 81+50.00 TO STA 82+50.00 (LT)**  
\* **-L1- STA 82+00.00 TO STA 82+50.00 (RT)**

**NOTE: TEMPORARY WIDENING SHOWN ON TRAFFIC CONTROL PLANS, PHASE I SEE SHEET TMP-4A**

**NOTE: TEMPORARY WIDENING SHOWN ON TRAFFIC CONTROL PLANS, PHASE I SEE SHEET TMP-4A**

**PAVEMENT SCHEDULE**

C1	1.5" TYPE S9.5C
C2	3" TYPE S9.5C
C3	VAR. TYPE S9.5C
D1	4" TYPE I19.0C
D2	VAR. TYPE I19.0C
E1	4" TYPE B25.0C
E2	5.5" TYPE B25.0C
E3	VAR. TYPE B25.0C
J1	6" AGGREGATE BASE COURSE
R1	1'-6" CONCRETE CURB AND GUTTER
R2	2'-6" CONCRETE CURB AND GUTTER
R3	5" MONOLITHIC CONCRETE ISLAND (KEYED IN)
S	4" CONCRETE SIDEWALK
T	EARTH MATERIAL
U	EXISTING PAVEMENT
V	MILLING ASPHALT PAVEMENT 1.5" DEPTH
W	WEDGING