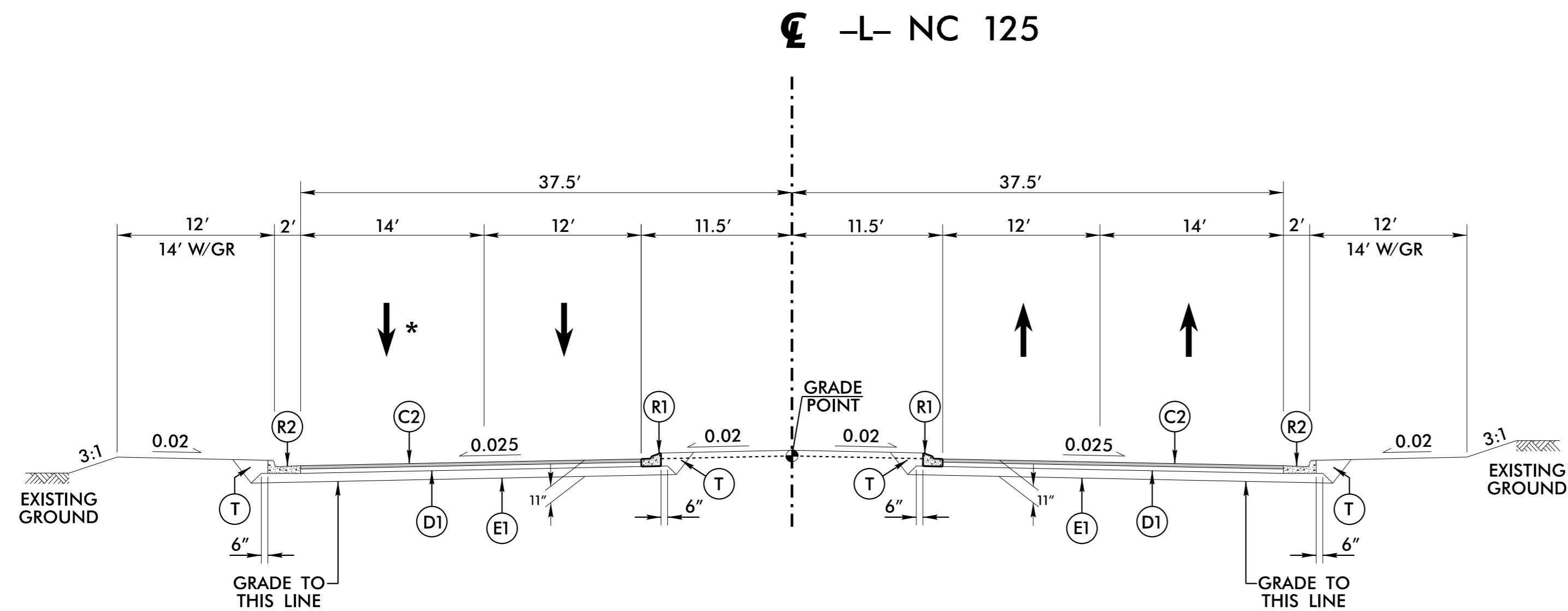


5/14/99

**Kimley Horn**

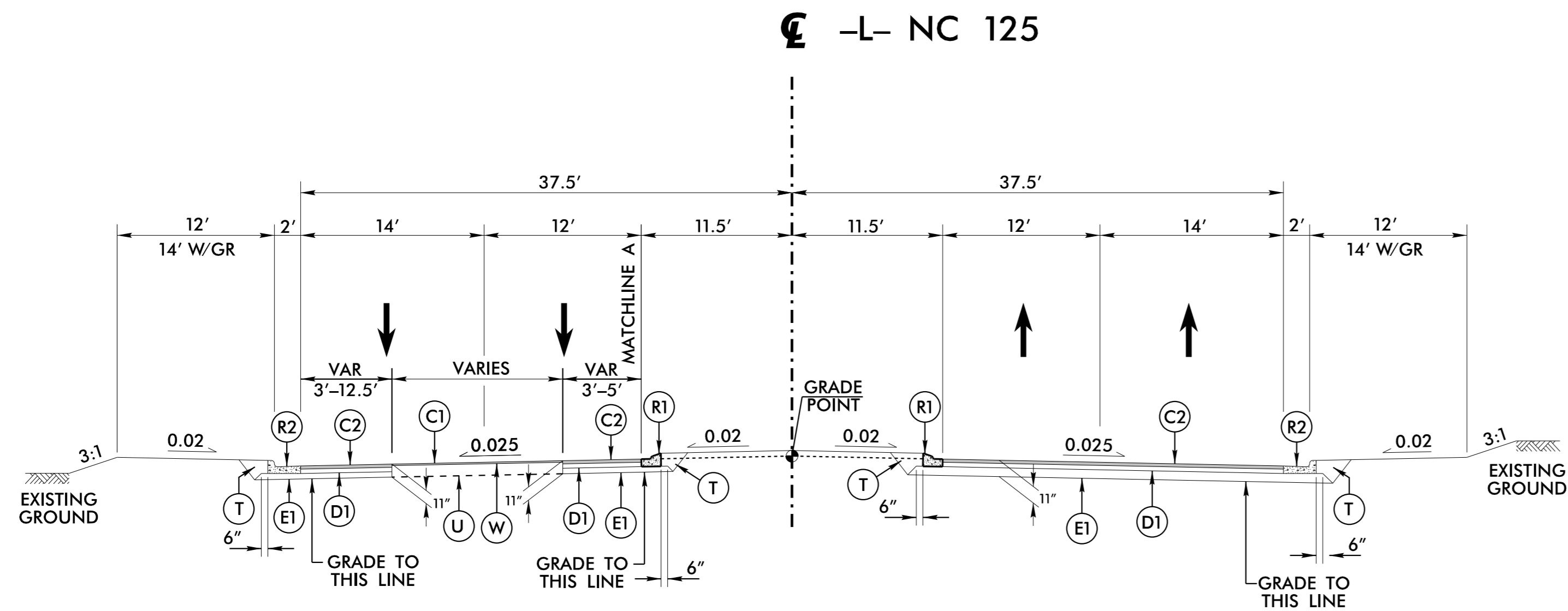
421 FAYETTEVILLE STREET, SUITE 600  
RALEIGH, N.C. 27601. NC LICENSE #F-0102

PROJECT REFERENCE NO. U-5725/R-3822	SHEET NO. 2A-2
ROADWAY DESIGN ENGINEER	PAVEMENT DESIGN ENGINEER
<b>DOCUMENT NOT CONSIDERED FINAL UNLESS ALL SIGNATURES COMPLETED</b>	

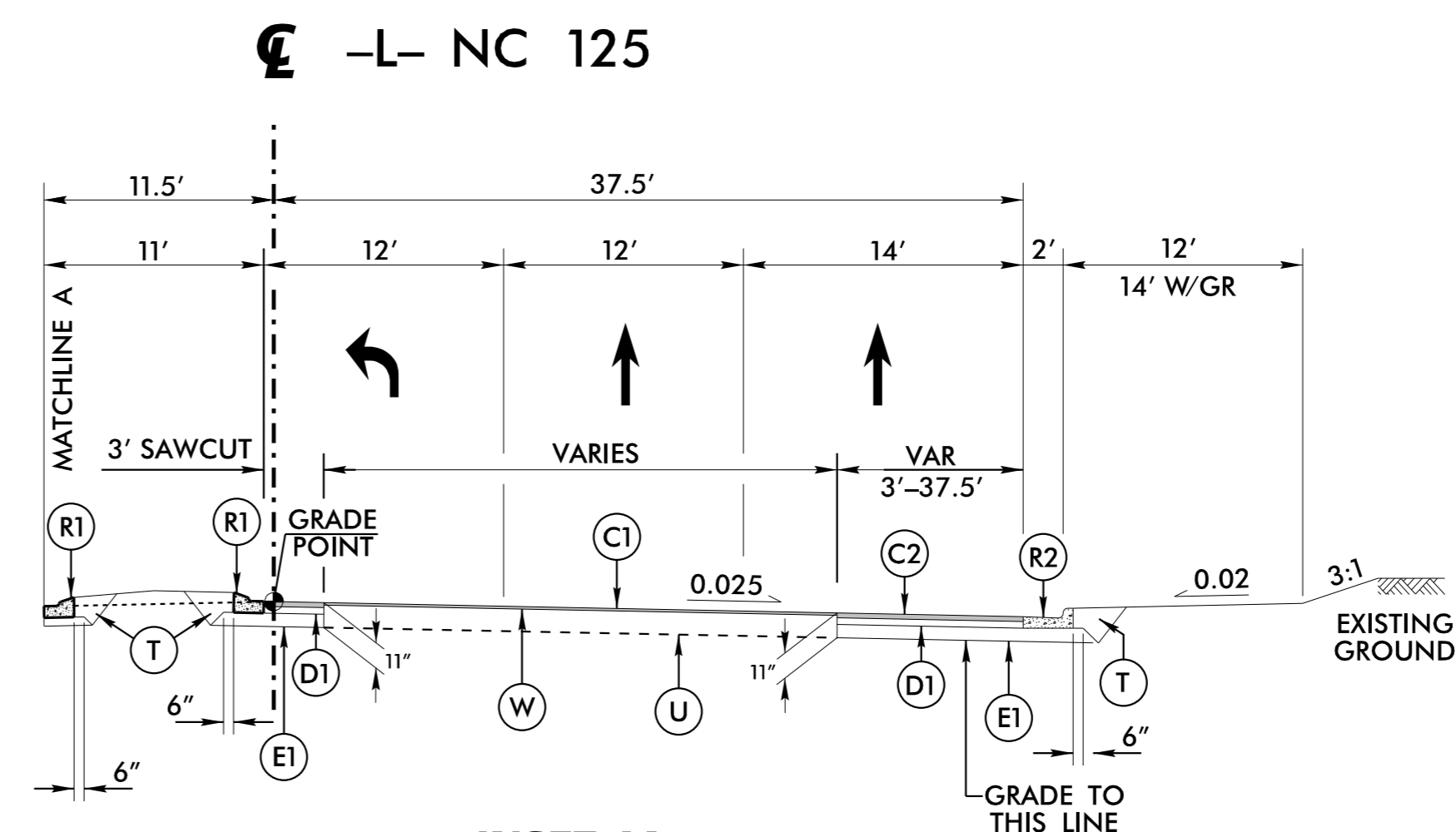


**TYPICAL SECTION NO. 3**  
-L- STA 23+67.00 TO STA 27+40.00  
\* RIGHT TURN ONLY: -L- STA 18+29.18 TO 24+95

- TYPICAL SECTION NOTES:
1. SEE PLAN SHEETS FOR SPECIFIC MEDIAN ISLAND LOCATIONS AND TYPES.
  2. SEE PARTIAL SECTIONS FOR EXCEPTIONS TO STATION LIMITS.
  3. SEE PLAN SHEETS FOR LANE TAPER LOCATIONS.
  4. SEE PLAN SHEETS FOR LANE TAPER LOCATIONS.
  5. PAVEMENT EDGE SLOPES 1:1 UNLESS OTHERWISE INDICATED.



**TYPICAL SECTION NO. 4**  
-L- STA 55+90.19 TO STA 87+90.00



**INSET 4A**  
-L- STA 84+25.00 TO STA 87+90.00

**PAVEMENT SCHEDULE**

C1	1.5" TYPE S9.5C
C2	3" TYPE S9.5C
C3	VAR. TYPE S9.5C
D1	4" TYPE I19.0C
D2	VAR. TYPE I19.0C
E1	4" TYPE B25.0C
E2	5.5" TYPE B25.0C
E3	VAR. TYPE B25.0C
J1	6" AGGREGATE BASE COURSE
R1	1'-6" CONCRETE CURB AND GUTTER
R2	2'-6" CONCRETE CURB AND GUTTER
R3	5" MONOLITHIC CONCRETE ISLAND (KEYED IN)
S	4" CONCRETE SIDEWALK
T	EARTH MATERIAL
U	EXISTING PAVEMENT
V	MILLING ASPHALT PAVEMENT 1.5" DEPTH
W	WEDGING

REVISIONS