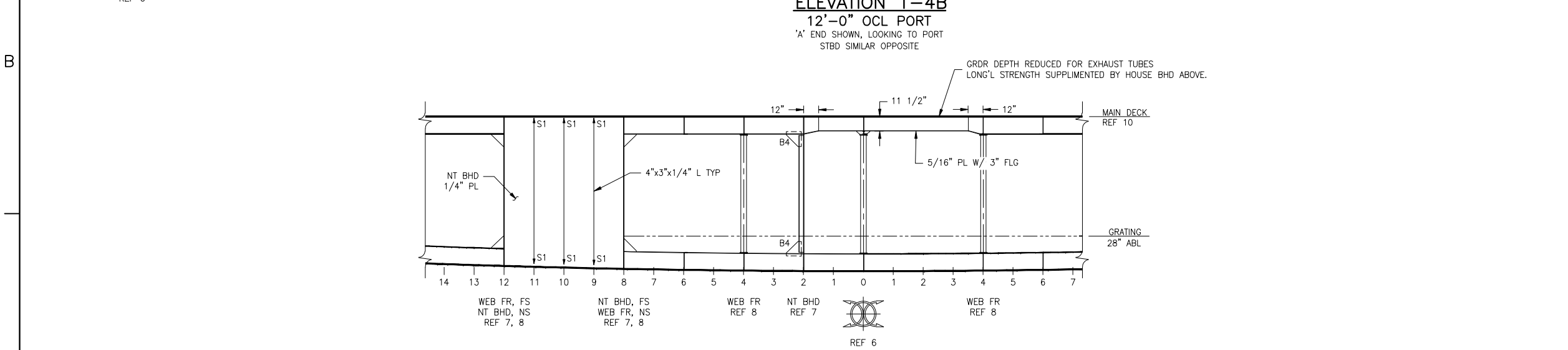
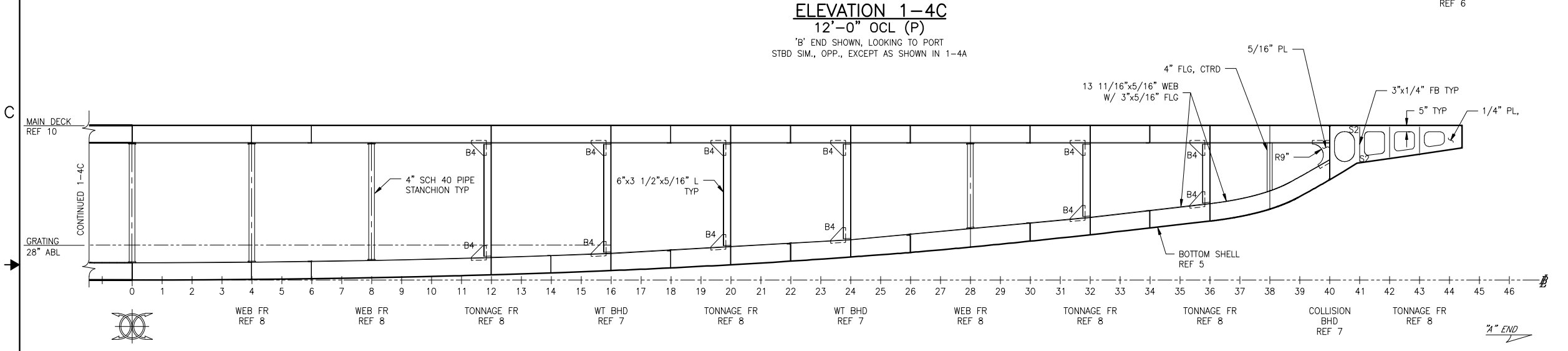
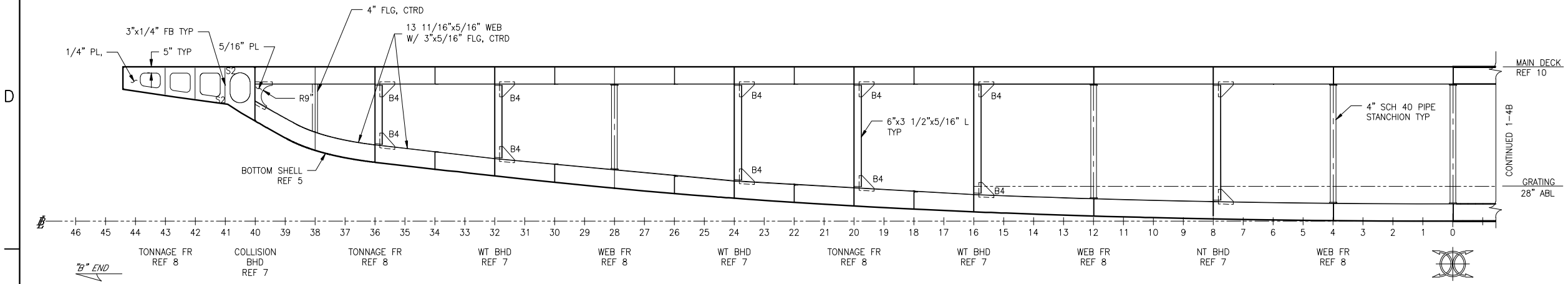


CONFIDENTIAL AND PROPRIETARY PROPERTY OF
EBDG - NC, PLLC
 MAY NOT BE USED FOR CONSTRUCTION OR PROVIDED TO
 ANY THIRD PARTIES WITHOUT PRIOR WRITTEN CONSENT.
 © 2018 ELLIOTT BAY DESIGN GROUP.

REVISION HISTORY				
REV	ZONE	DESCRIPTION	DWN	DATE



KEY

	BULKHEAD FAR SIDE
	BULKHEAD NEAR SIDE
	GIRDER FAR SIDE
	GIRDER NEAR SIDE
	ORDINARY STIFFENER FAR SIDE
	ORDINARY STIFFENER NEAR SIDE
	KNUCKLE

MAIN DECK PL - CENTER: 1/2" TYP U.N.O.
 MAIN DECK PL - OUTBD: 5/16" TYP U.N.O.
 MAIN DECK STIFFENERS: HP140x8 TYP U.N.O.
 MAIN DECK GIRDERS & WEBS: 14"x3"x5/16" FL PL TYP U.N.O.
 STANCHIONS - 5' OCL: 5" SCH 80 TYP U.N.O.
 STANCHIONS - 12' OCL: 4" SCH 40 TYP U.N.O.

GENERAL NOTES

1. VESSEL TO BE CONSTRUCTED IN ACCORDANCE WITH 46 CFR SUBCHAPTER H REGULATIONS.
2. FRAME SPACING IS 24" UNLESS NOTED OTHERWISE.

REFERENCES

1. 18026-200-832-1 TECHNICAL SPECIFICATION
2. 18026-200-061-1 SCANTLING CALCULATIONS
3. 18026-200-100-1 LINES PLAN
4. 18026-200-101-1 PROFILES AND DECK ARRANGEMENTS
5. 18026-200-110-1 BOTTOM AND SIDE SHELL
6. 18026-200-120-1 MIDSHIP SECTION
7. 18026-200-120-3 HULL TRANSVERSE BULKHEADS
8. 18026-200-120-4 HULL TRANSVERSE FRAMES
9. 18026-200-120-5 HULL LONGITUDINAL BULKHEADS AND GIRDERS
10. 18026-200-130-2 MAIN DECK
11. 18026-200-180-1 PROPULSION UNIT FOUNDATIONS
12. 18026-200-624-1 WINDOW SCHEDULE
13. 18026-200-624-2 DOOR SCHEDULE

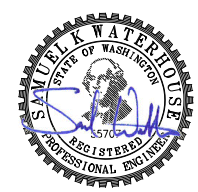


Elliott Bay Design Group
 North Carolina, PLLC

CLIENT: NORTH CAROLINA D.O.T.
 RALEIGH, NORTH CAROLINA
 PROJECT: DOUBLE-ENDED AZIMUTH DRIVE FERRY

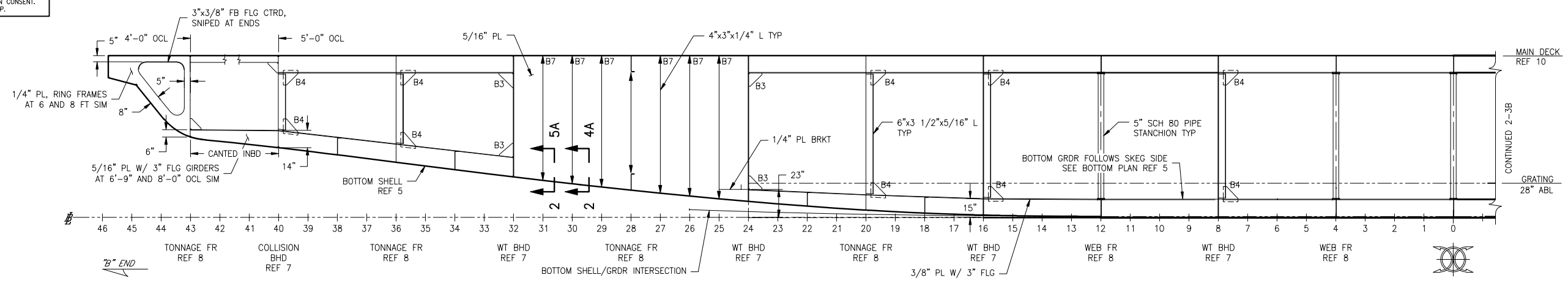
HULL LONGITUDINAL BULKHEADS AND GIRDERS

SIZE: D	DWG NO.: 18026-200-120-5	REV: -
SCALE: 1/4" = 1'-0"	FILE NAME: 18026-200-120-5-	SHEET 1 OF 4
DWN: JCC	MOD: SKW	APVD: SKW
APVD DATE: 7/26/2018		

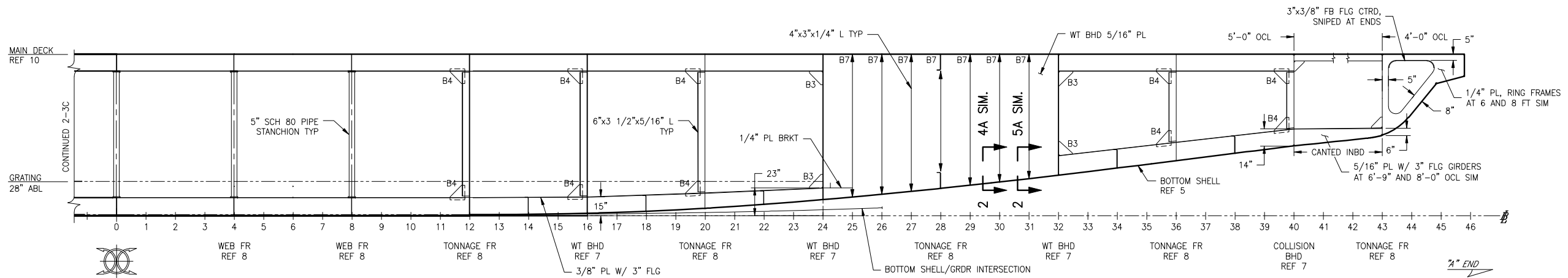


7/30/2018 4:05:16 PM

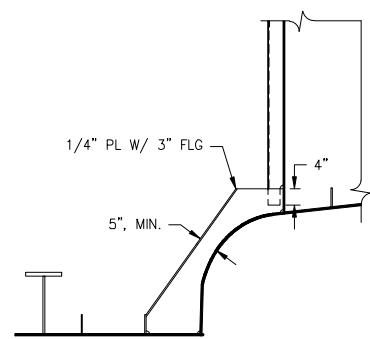
CONFIDENTIAL AND PROPRIETARY PROPERTY OF
EBDG - NC, PLLC
 MAY NOT BE USED FOR CONSTRUCTION OR PROVIDED TO
 ANY THIRD PARTIES WITHOUT PRIOR WRITTEN CONSENT.
 ©2018 ELLIOTT BAY DESIGN GROUP.



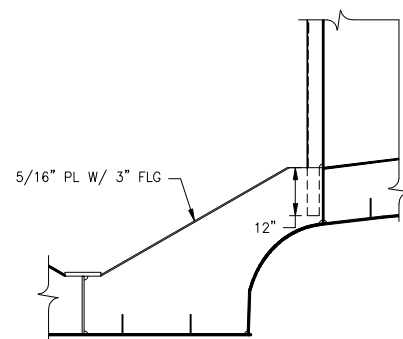
ELEVATION 2-3C
 5'-0" (U.N.O.) OCL PORT
 'B' END SHOWN LOOKING TO PORT
 STBD SIMILAR OPPOSITE



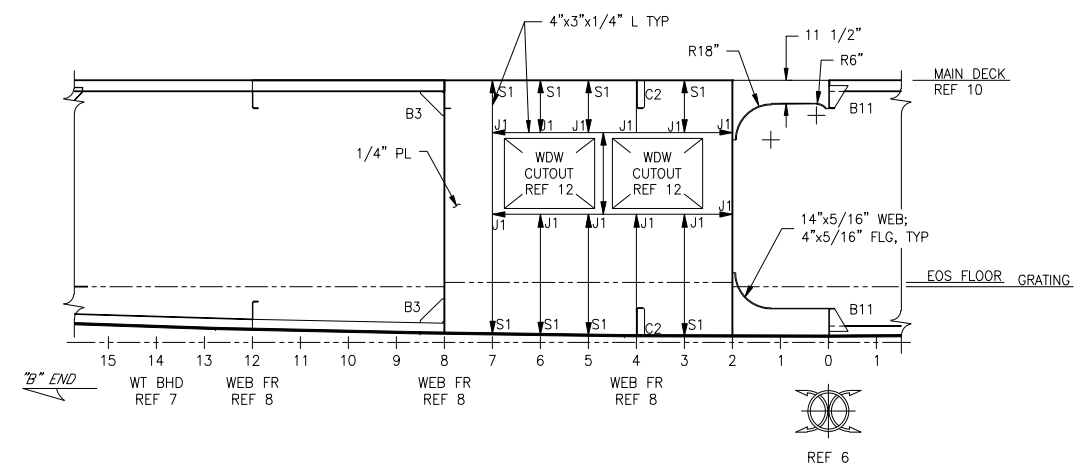
ELEVATION 2-3B
 5'-0" (U.N.O.) OCL PORT
 'A' END SHOWN LOOKING TO PORT
 STBD SIMILAR OPPOSITE



DETAIL 2-5A
 FR 31 SHOWN - 29, 27 & 25 SIM
 LOOKING TO 'B' END
 SCALE: 1/2" = 1'-0"



DETAIL 2-4A
 FR 30 SHOWN - 26, 28 SIM
 LOOKING TO 'B' END
 SCALE: 1/2" = 1'-0"

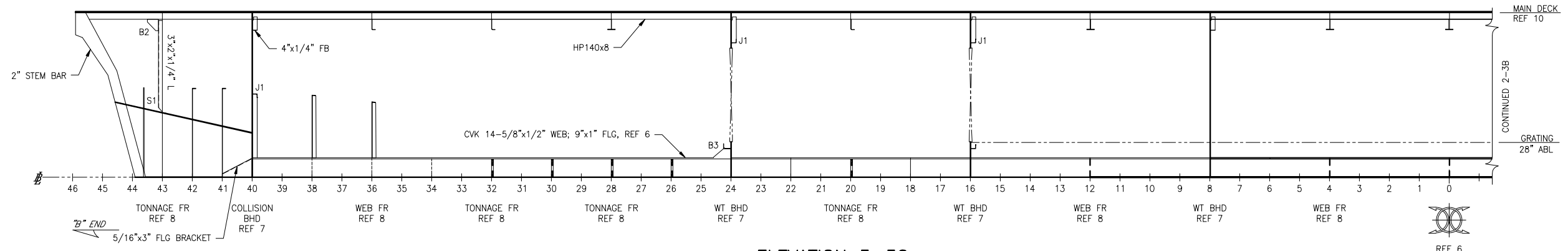


ELEVATION 2-2A
 EOS NT BHD 8'-0" OCL STBD
 'B' END SHOWN, LOOKING TO PORT

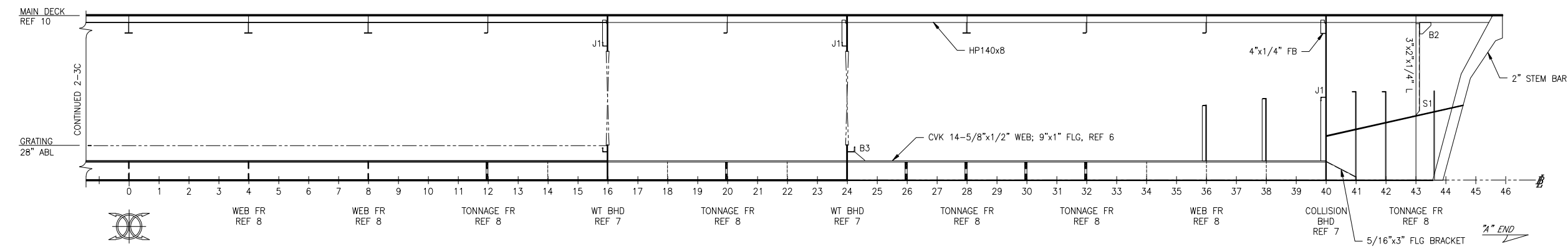


SIZE	D	OWG NO.	18026-200-120-5	REV	-
SCALE	1/4" = 1'-0"	FILE NAME	18026-200-120-5-	SHEET	2 OF 4

CONFIDENTIAL AND PROPRIETARY PROPERTY OF
EBDG - NC, PLLC
 MAY NOT BE USED FOR CONSTRUCTION OR PROVIDED TO
 ANY THIRD PARTIES WITHOUT PRIOR WRITTEN CONSENT.
 ©2018 ELLIOTT BAY DESIGN GROUP.



ELEVATION 3-3C
 CENTERLINE
 'B' END SHOWN LOOKING TO PORT



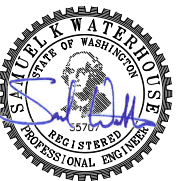
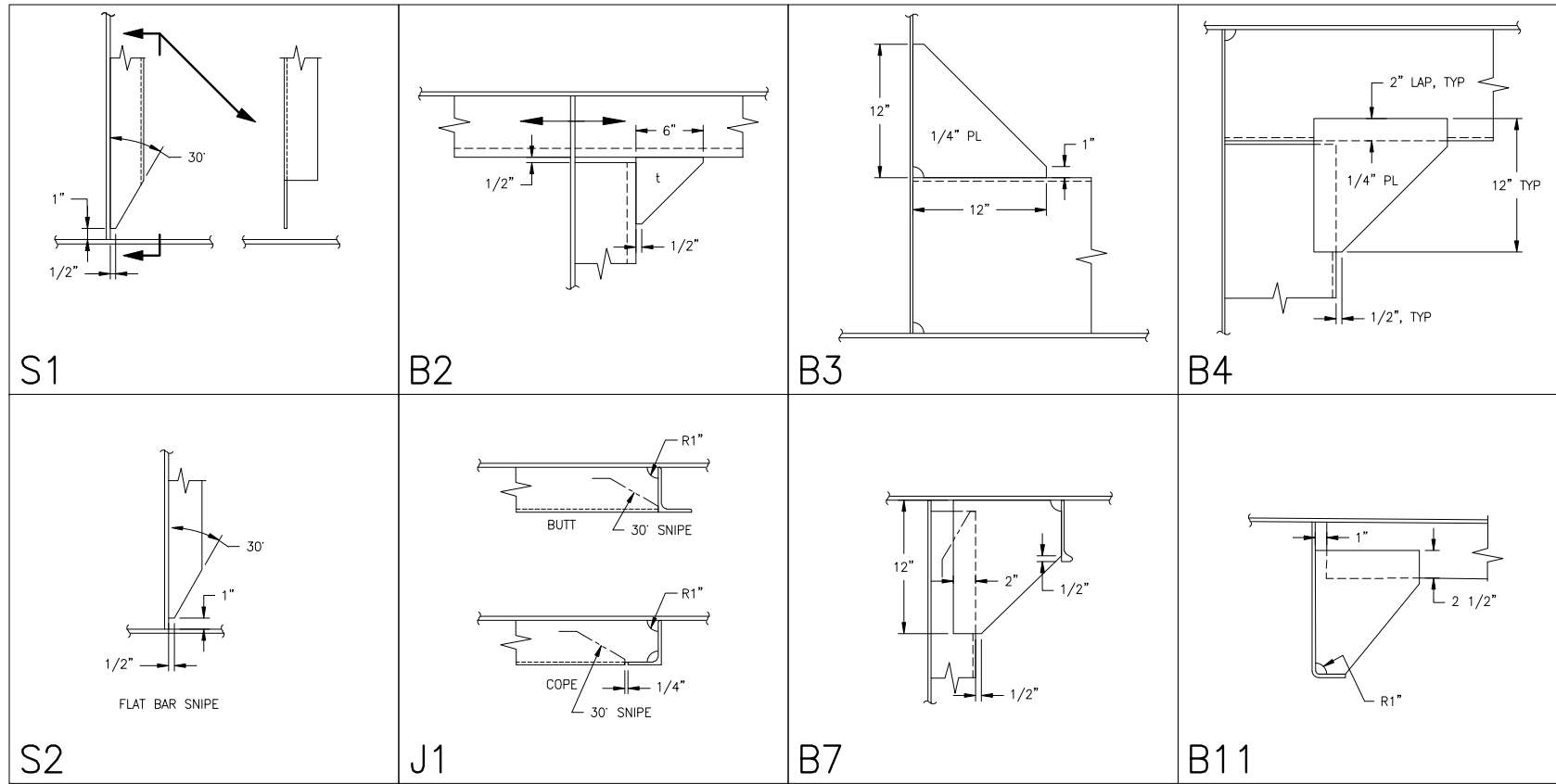
ELEVATION 3-3B
 CENTERLINE
 'A' END SHOWN LOOKING TO PORT



SIZE	DWG NO.	REV
D	18026-200-120-5	-
SCALE	FILE NAME	SHEET
1/4" = 1'-0"	18026-200-120-5-	3 OF 4

7/30/2018 4:05:25 PM

CONFIDENTIAL AND PROPRIETARY PROPERTY OF
EBDG - NC, PLLC
 MAY NOT BE USED FOR CONSTRUCTION OR PROVIDED TO
 ANY THIRD PARTIES WITHOUT PRIOR WRITTEN CONSENT.
 © 2018 ELLIOTT BAY DESIGN GROUP.



SIZE	D	DWG NO.	18026-200-120-5	REV	-
SCALE	1 1/2" = 1'-0"	FILE NAME	18026-200-120-5-	SHEET	4 OF 4

7/30/2018 4:05:30 PM