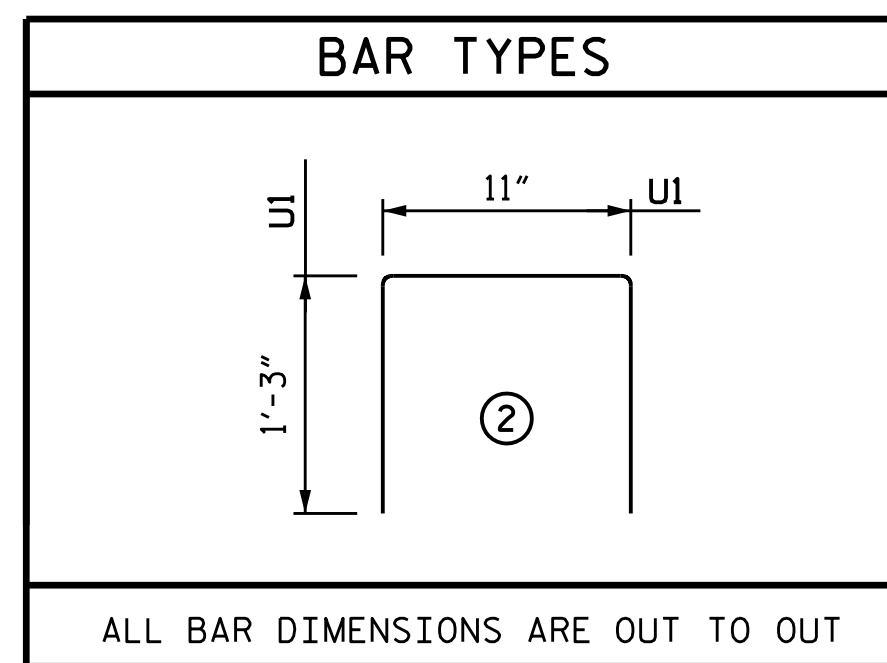


-- BAR SCHEDULE PHASE 3 --

BILL OF MATERIALS OUTLET						BILL OF MATERIALS INLET					
PHASE 3						PHASE 3					
BAR	NO.	SIZE	TYPE	LENGTH	WEIGHT	BAR	NO.	SIZE	TYPE	LENGTH	WEIGHT
A100	35	#4	STR	43'-1"	1008	A100	2	#5	STR	2'-9"	6
A300	21	#6	STR	43'-1"	1359	A101	2	#5	STR	3'-11"	9
C1	95	#4	STR	17'-0"	1079	A102	2	#5	STR	5'-2"	11
S2	6	#6	STR	43'-1"	389	A103	2	#5	STR	6'-5"	14
G1	4	#5	STR	43'-1"	180	A104	2	#5	STR	7'-7"	16
U1	44	#4	2	3'-5"	101	A105	2	#5	STR	8'-10"	19
REINFORCING STEEL					LBS.	REINFORCING STEEL					LBS.
					4116						4288



SUMMARY OF QUANTITIES

CULVERT EXTENSION QUANTITIES - PHASE I

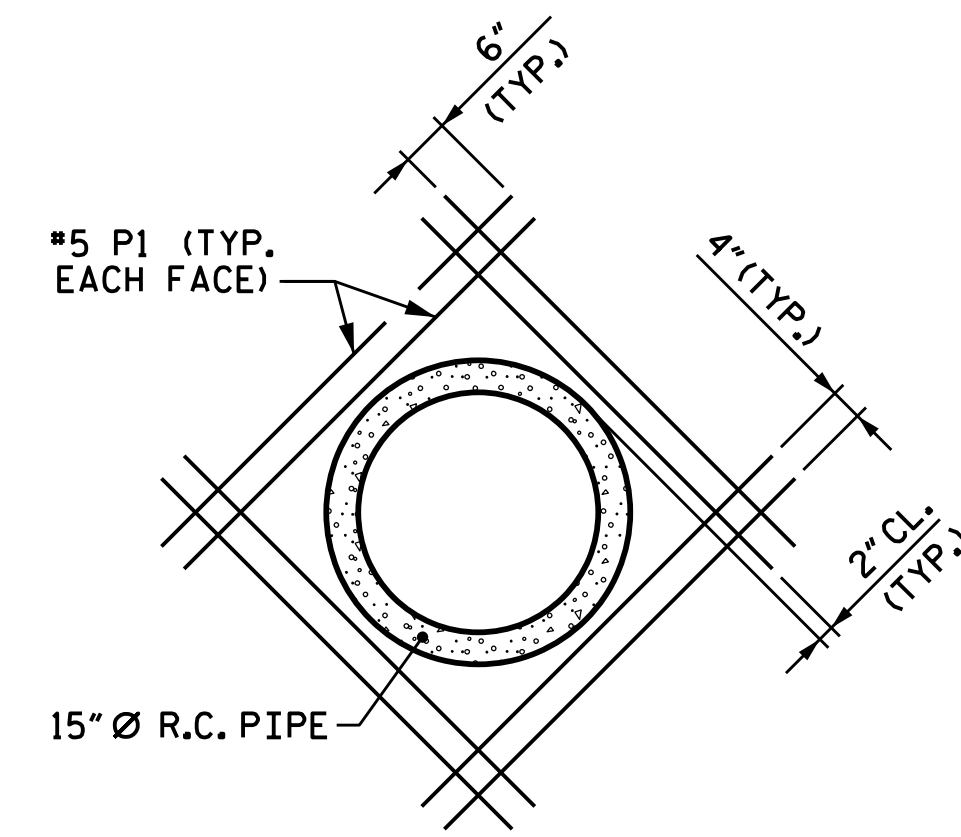
CLASS A CONCRETE		
INLET BARREL		31.2 C.Y.
OUTLET BARREL		31.9 C.Y.
WING W3		16.1 C.Y.
TOTAL		79.2 C.Y.
REINFORCING STEEL		
INLET BARREL		5,000 LBS.
OUTLET BARREL		4,968 LBS.
WING W3		1,099 LBS.
TOTAL		11,067 LBS.
FOUNDATION CONDITIONING MATERIAL		
INLET BARREL		31 TONS
OUTLET BARREL		31 TONS
TOTAL		62 TONS
CULVERT EXCAVATION		LUMP SUM

CULVERT EXTENSION QUANTITIES - PHASE II

CLASS A CONCRETE		
INLET BARREL		24.3 C.Y.
OUTLET BARREL		25.0 C.Y.
WINGS W2 & W4		33.1 C.Y.
TOTAL		82.4 C.Y.
REINFORCING STEEL		
INLET BARREL		3,619 LBS.
OUTLET BARREL		3,682 LBS.
WINGS W2 & W4		2,427 LBS.
TOTAL		9,728 LBS.
FOUNDATION CONDITIONING MATERIAL		
INLET BARREL		27 TONS
OUTLET BARREL		28 TONS
TOTAL		55 TONS
CULVERT EXCAVATION		LUMP SUM

CULVERT EXTENSION QUANTITIES - PHASE III

CLASS A CONCRETE		
INLET BARREL		26.5 C.Y.
OUTLET BARREL		26.8 C.Y.
HEADWALLS		4.3 C.Y.
TOTAL		57.6 C.Y.
REINFORCING STEEL		
INLET BARREL		4,288 LBS.
OUTLET BARREL		4,116 LBS.
TOTAL		8,404 LBS.

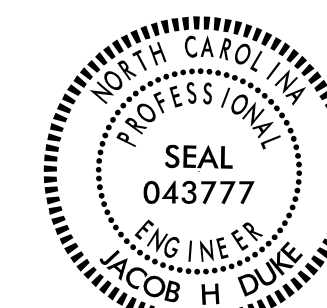


DETAIL OF REINFORCING AROUND 15" Ø PIPE

PIPE SIZE	#5 P1 LENGTH
15"	3'-8"

PROJECT NO. U-4405
CUMBERLAND COUNTY
 STATION: 137+99.59 -L-

SHEET 16 OF 18



DocuSigned by:
 Jacob H. Duke
 6/13/2018 9:09:59 AM PDT

STATE OF NORTH CAROLINA
 DEPARTMENT OF TRANSPORTATION
 RALEIGH
 CULVERT EXTENSION
 QUADRUPLE 10 FT. X 12 FT.
 CONCRETE BOX CULVERT
 BILL OF MATERIALS

REVISIONS						SHEET NO.
NO.	BY:	DATE:	NO.	BY:	DATE:	C1-16
1			3			TOTAL SHEETS
2			4			18

DOCUMENT NOT CONSIDERED
 FINAL UNLESS ALL
 SIGNATURES COMPLETED

KCA 4800 SIX FORKS ROAD SUITE 120
 KISINGER CAMPO & ASSOCIATES RALEIGH, NC 27609
 (919) 882-7839

DRAWN BY : DIEGO A. AGUIRRE DATE : 5-18-18
 CHECKED BY : JACOB H. DUKE DATE : 5-22-18
 DESIGN ENGINEER OF RECORD : JACOB H. DUKE DATE : 5-25-18