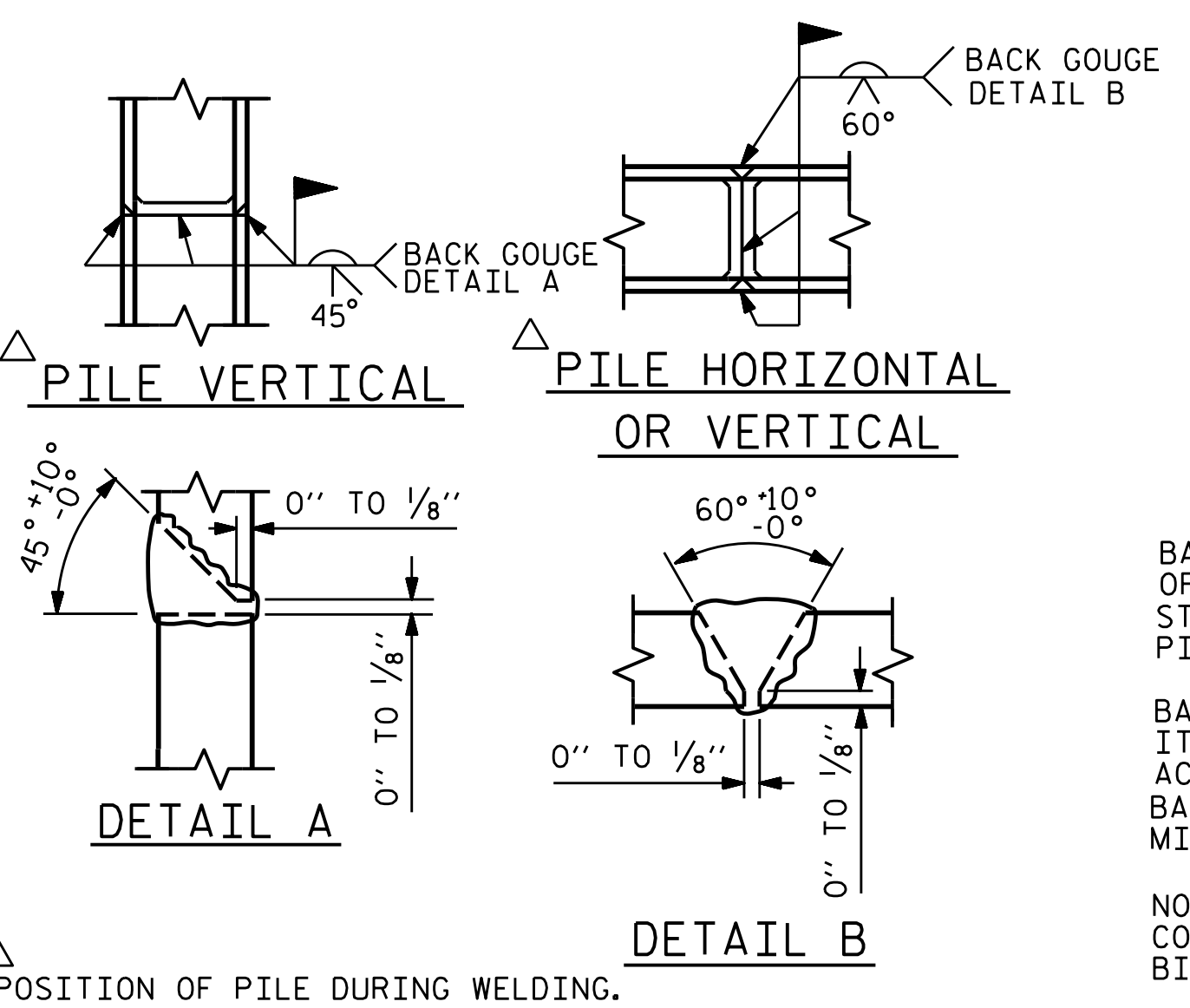
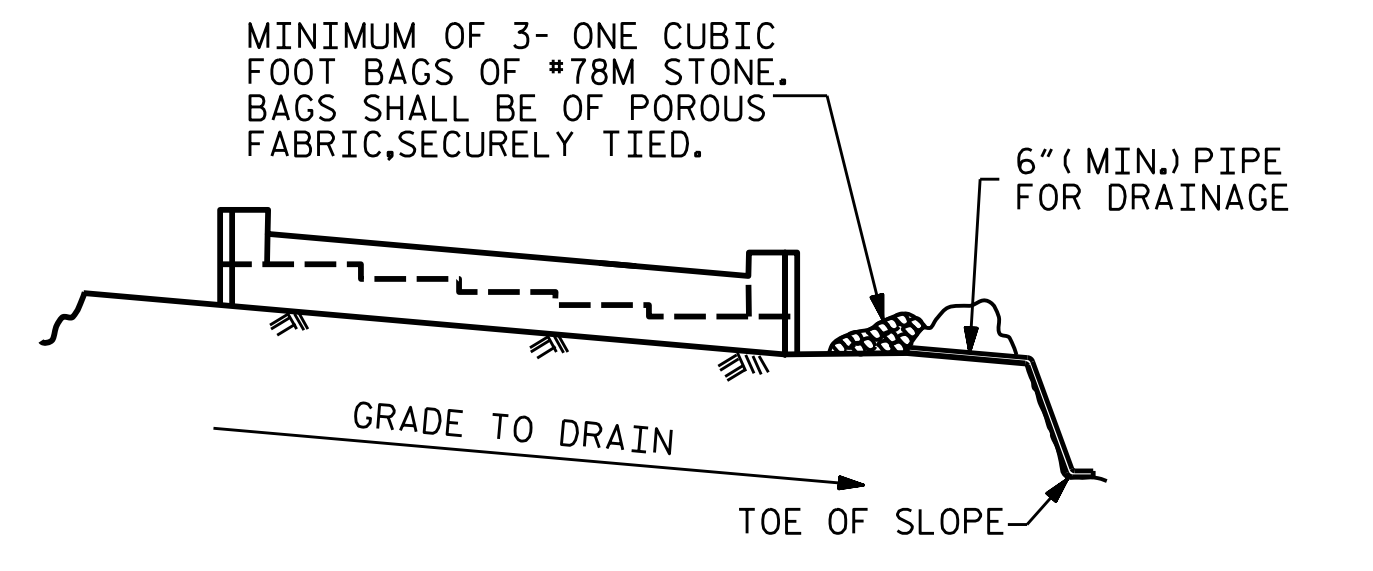


SECTION A-A

SECTION B-B



PILE SPLICE DETAILS



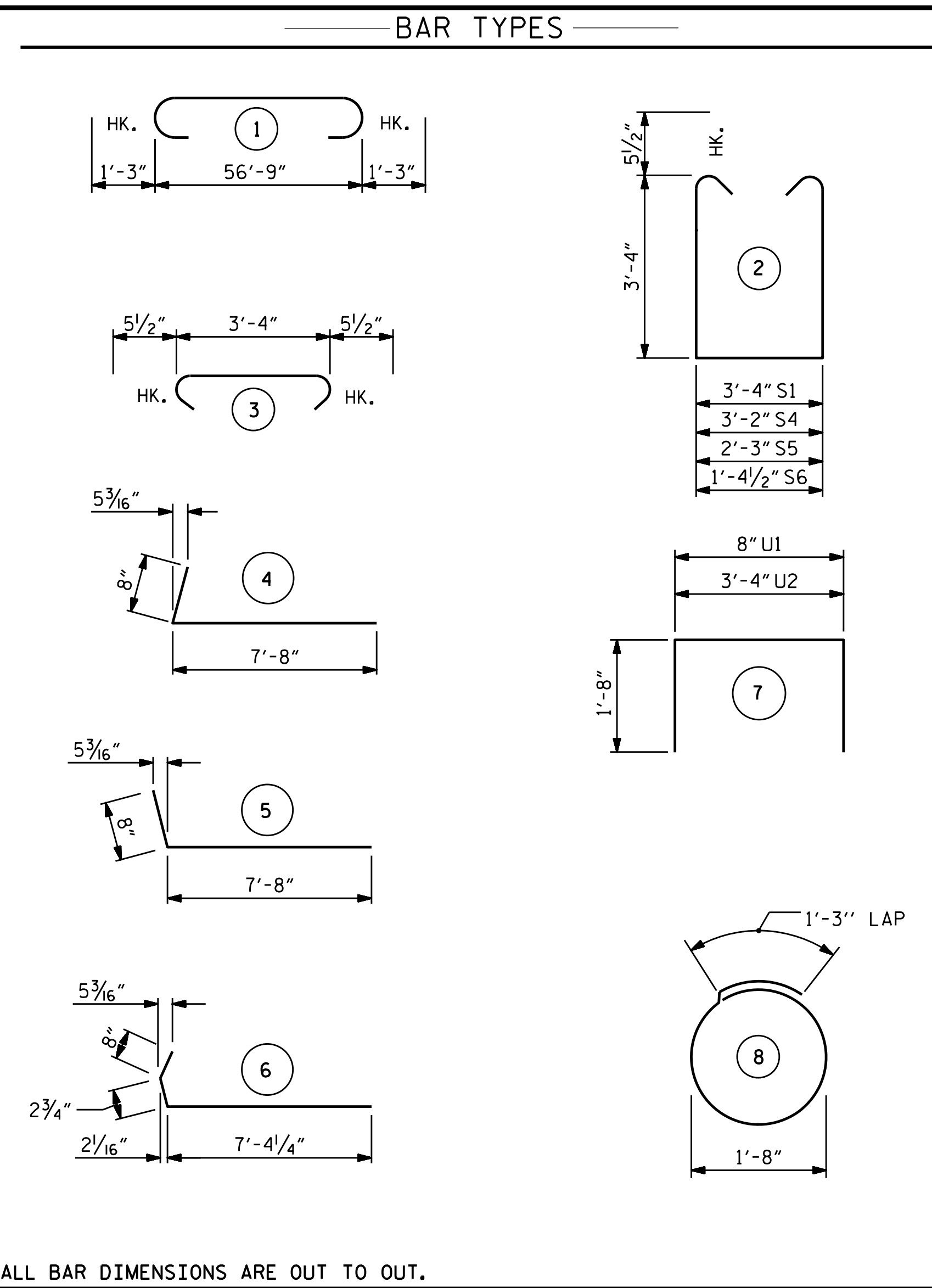
MINIMUM OF 3- ONE CUBIC FOOT BAGS OF #78M STONE. BAGS SHALL BE OF POROUS FABRIC, SECURELY TIED.

BAGGED STONE AND PIPE SHALL BE PLACED IMMEDIATELY AFTER COMPLETION OF END BENT EXCAVATION. PIPE MAY BE EITHER CONCRETE, CORRUGATED STEEL, CORRUGATED ALUMINUM ALLOY, OR CORRUGATED PLASTIC. PERFORATED PIPE WILL NOT BE ALLOWED.

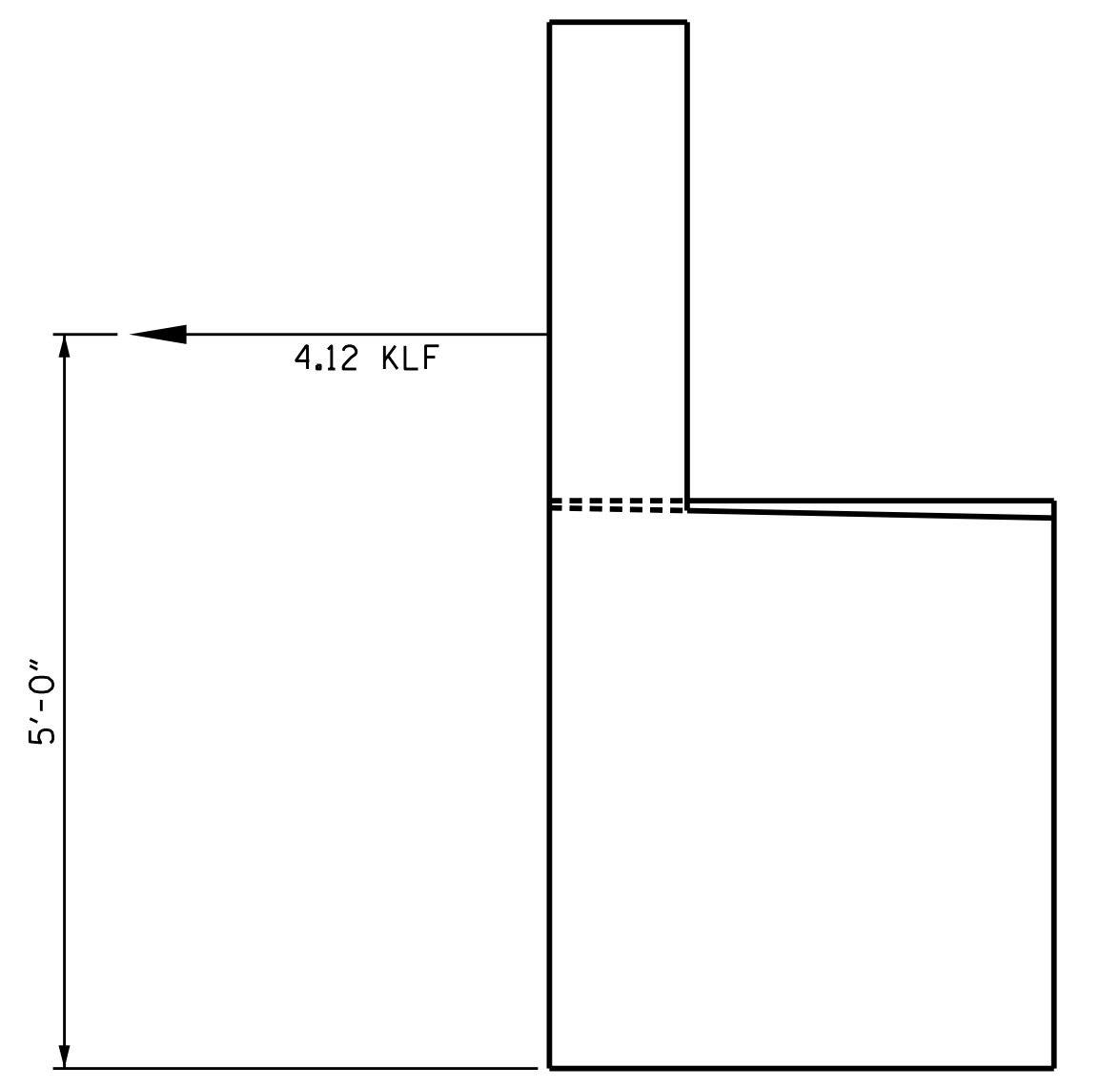
BAGGED STONE SHALL REMAIN IN PLACE UNTIL THE ENGINEER DIRECTS THAT IT BE REMOVED. THE CONTRACTOR SHALL REMOVE AND DISPOSE OF SILT ACCUMULATIONS AT BAGGED STONE WHEN SO DIRECTED BY THE ENGINEER. BAGS SHALL BE REMOVED AND REPLACED WHENEVER THE ENGINEER DETERMINES THAT THEY HAVE DETERIORATED AND LOST THEIR EFFECTIVENESS.

NO SEPARATE PAYMENT WILL BE MADE FOR THIS WORK AND THE ENTIRE COST OF THIS WORK SHALL BE INCLUDED IN THE UNIT CONTRACT PRICE BID FOR THE SEVERAL PAY ITEMS.

TEMPORARY DRAINAGE AT END BENT



ALL BAR DIMENSIONS ARE OUT TO OUT.



STRAP LOAD DETAIL

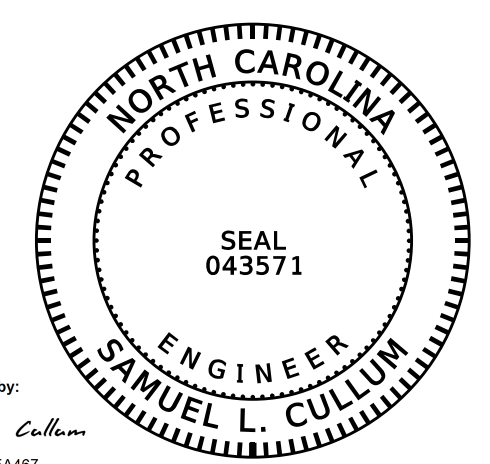
BILL OF MATERIAL					
END BENT #2					
BAR	NO.	SIZE	TYPE	LENGTH	WEIGHT
B1	5	9	1	59'-3"	1007
B2	6	9	1	59'-3"	1209
B3	4	9	STR	56'-9"	772
B4	14	4	STR	29'-7"	277
B5	14	4	STR	3'-4"	31
B6	5	4	STR	19'-2"	64
B7	25	4	STR	3'-2"	53
H1	20	5	4	8'-4"	174
H2	10	5	5	8'-2 3/4"	86
H3	10	5	6	8'-4"	87
K1	8	4	STR	29'-7"	158
K2	6	4	STR	3'-6"	14
K3	2	4	STR	3'-4"	4
S1	60	5	2	7'-11"	495
S2	66	5	3	4'-3"	293
S3	28	5	8	6'-6"	190
S4	2	5	2	7'-9"	16
S5	2	5	2	6'-10"	14
S6	2	5	2	5'-11 1/2"	12
U1	49	4	7	4'-0"	131
U2	27	4	7	6'-8"	120
V1	98	5	STR	7'-2"	733
V2	24	5	STR	8'-6"	213
V3	24	5	STR	8'-11"	223
REINFORCING STEEL					LBS. 6376
CLASS "A" CONCRETE BREAKDOWN					
POUR #1 CAP AND LOWER WINGS					33.8 C.Y.
POUR #2 BACKWALL & UPPER WINGS					10.5 C.Y.
TOTAL					44.3 C.Y.
HP 12 x 53 STEEL PILES					LIN. FEET. 595
No. = 7					
PILE REDRIVES					EA. 4

PROJECT NO. U-4405  
 CUMBERLAND COUNTY  
 STATION: 26+78.00 -RPB-

SHEET 3 OF 3

STATE OF NORTH CAROLINA  
 DEPARTMENT OF TRANSPORTATION  
 RALEIGH

SUBSTRUCTURE  
 END BENT #2



6/6/2018 12:30:46 PM PDT

REVISIONS						SHEET NO.
NO.	BY:	DATE:	NO.	BY:	DATE:	S-22
1			3			TOTAL SHEETS 26
2			4			

DOCUMENT NOT CONSIDERED FINAL UNLESS ALL SIGNATURES COMPLETED

**KCA** 4800 SIX FORKS ROAD SUITE 120  
 KISINGER CAMPO & ASSOCIATES RALEIGH, NC 27609  
 (919) 882-7839

DRAWN BY: J. B. HANNA DATE: 05-17  
 CHECKED BY: L. MARTINEZ DATE: 05-17  
 DESIGN ENGINEER OF RECORD: S. CULLUM DATE: 05-17