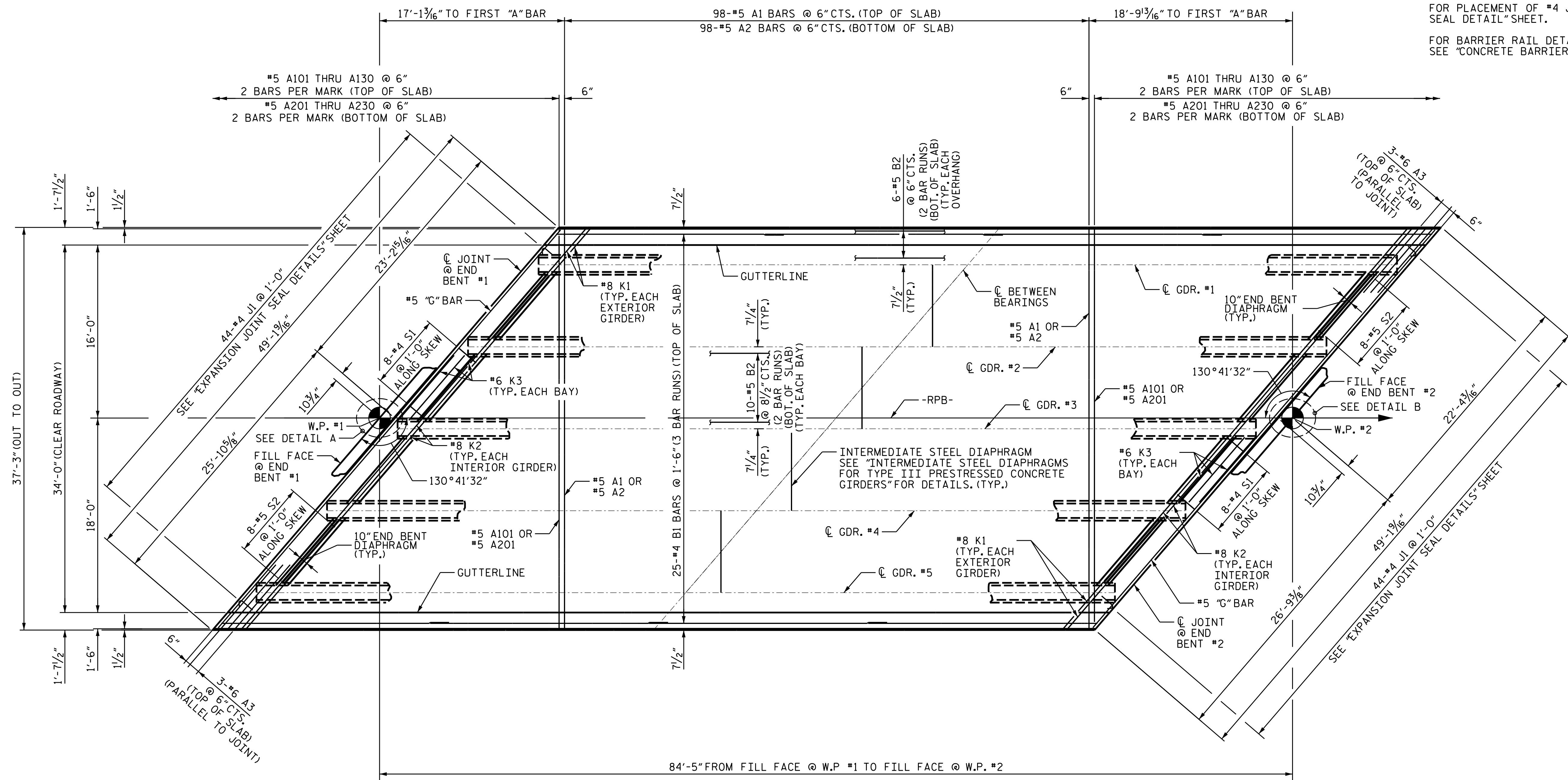
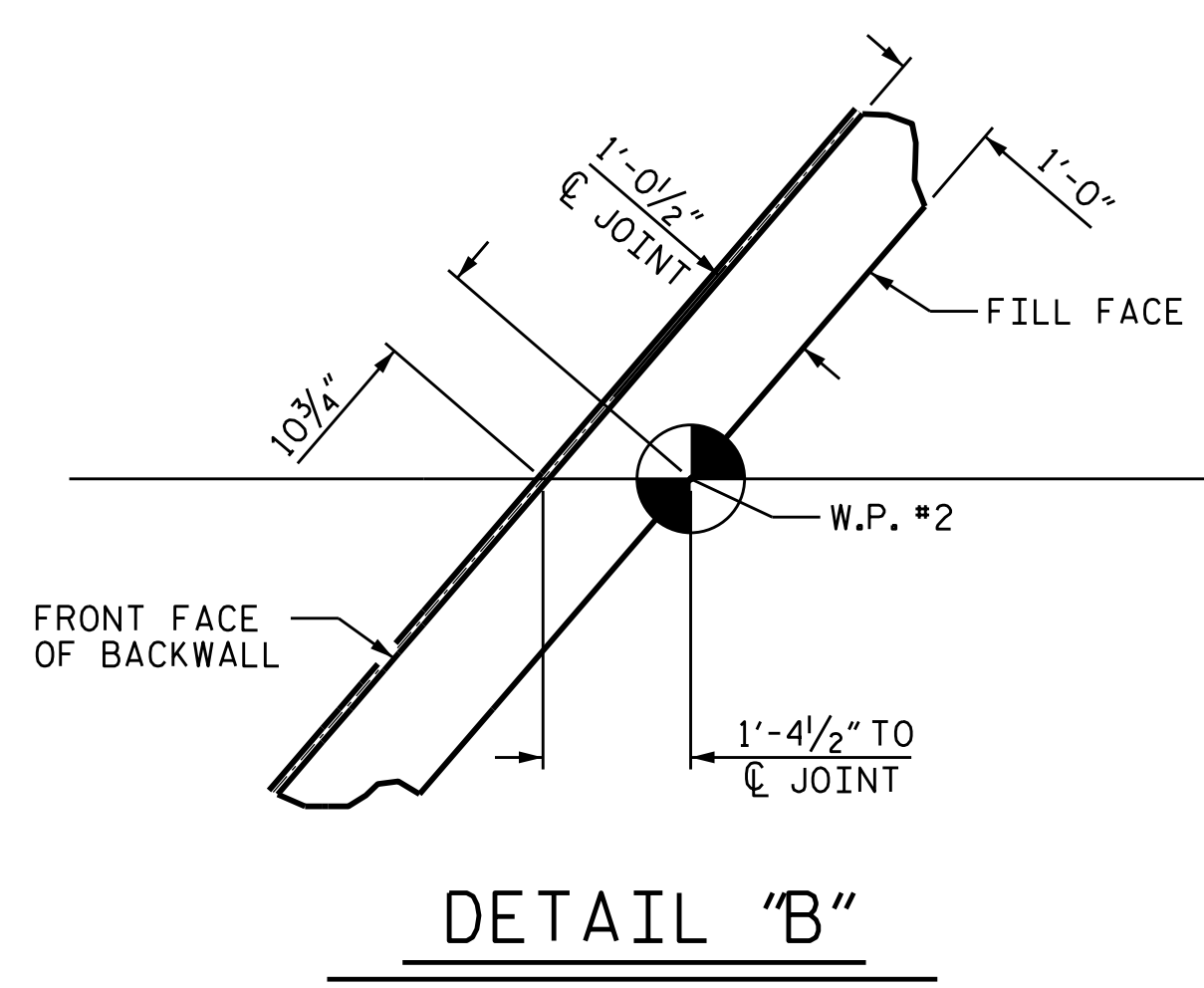
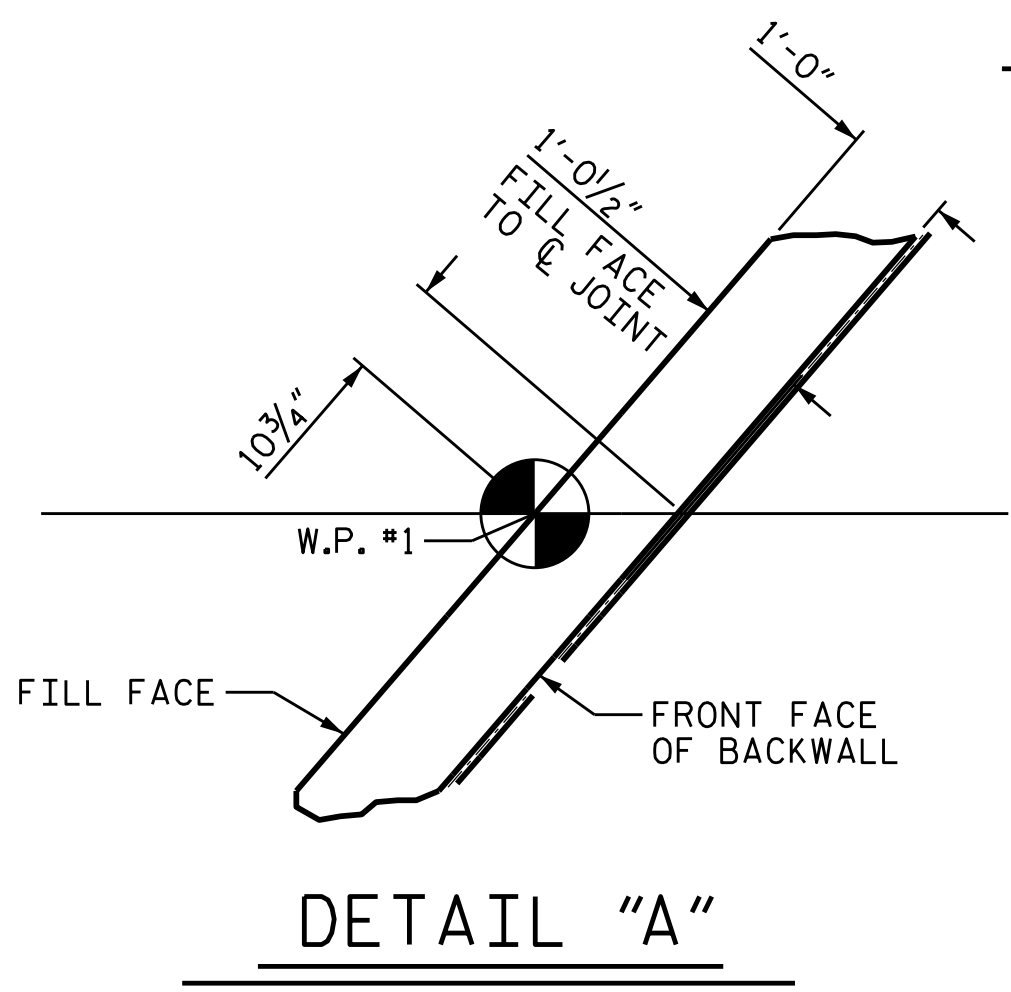


### NOTES

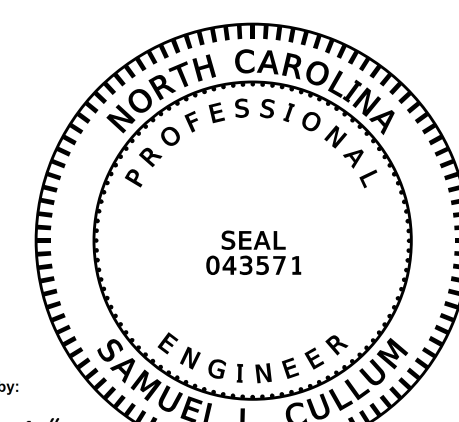
FOR PLACEMENT OF #4 JI BARS, SEE "EXPANSION JOINT SEAL DETAIL" SHEET.  
FOR BARRIER RAIL DETAILS AND REINFORCING STEEL, SEE "CONCRETE BARRIER RAIL" SHEET.



### PLAN OF SPAN



PROJECT NO. U-4405  
CUMBERLAND COUNTY  
STATION: 26+78.00 -RPB-



STATE OF NORTH CAROLINA  
DEPARTMENT OF TRANSPORTATION  
RALEIGH

SUPERSTRUCTURE  
PLAN OF SPAN

**KCA** 4800 SIX FORKS ROAD SUITE 120  
KISINGER CAMPO & ASSOCIATES RALEIGH, NC 27609  
(919) 882-7839

DRAWN BY :	J. B. HANNA	DATE :	05-17
CHECKED BY :	S. BOYD	DATE :	05-17
DESIGN ENGINEER OF RECORD:	S. CULLUM	DATE :	05-17

REVISIONS						SHEET NO.
NO.	BY:	DATE:	NO.	BY:	DATE:	S-6
1			3			TOTAL SHEETS
2			4			26