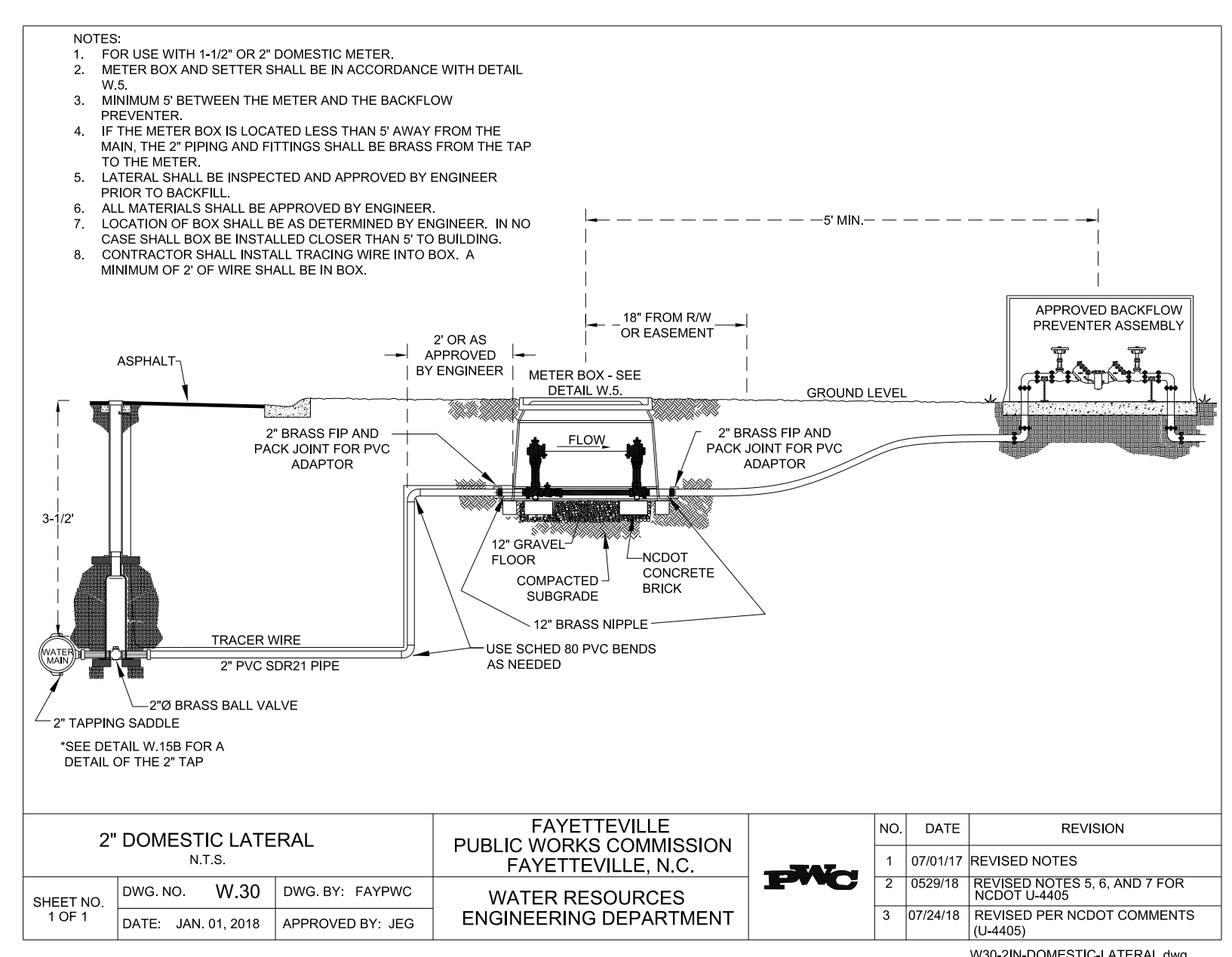
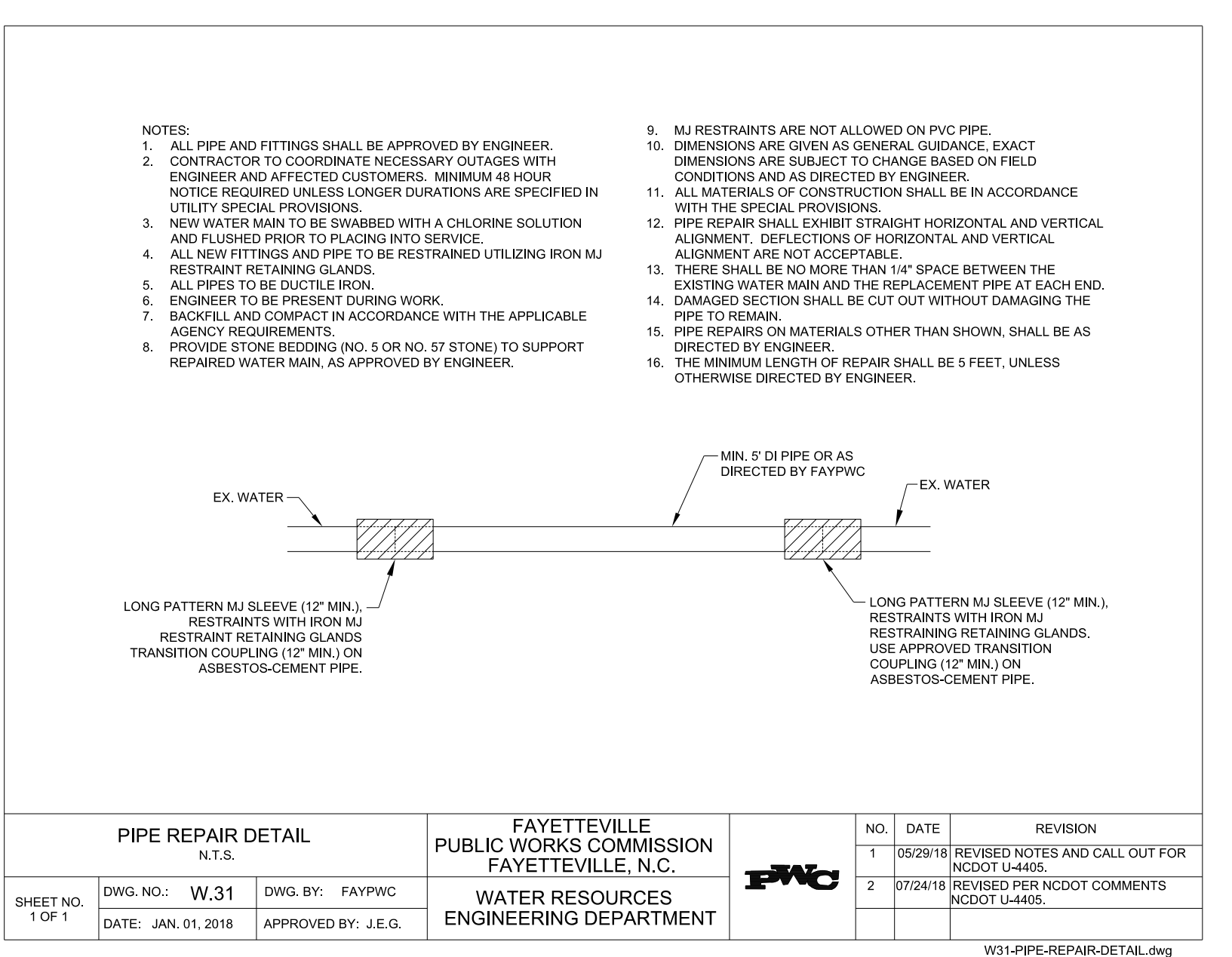


UTILITY CONSTRUCTION

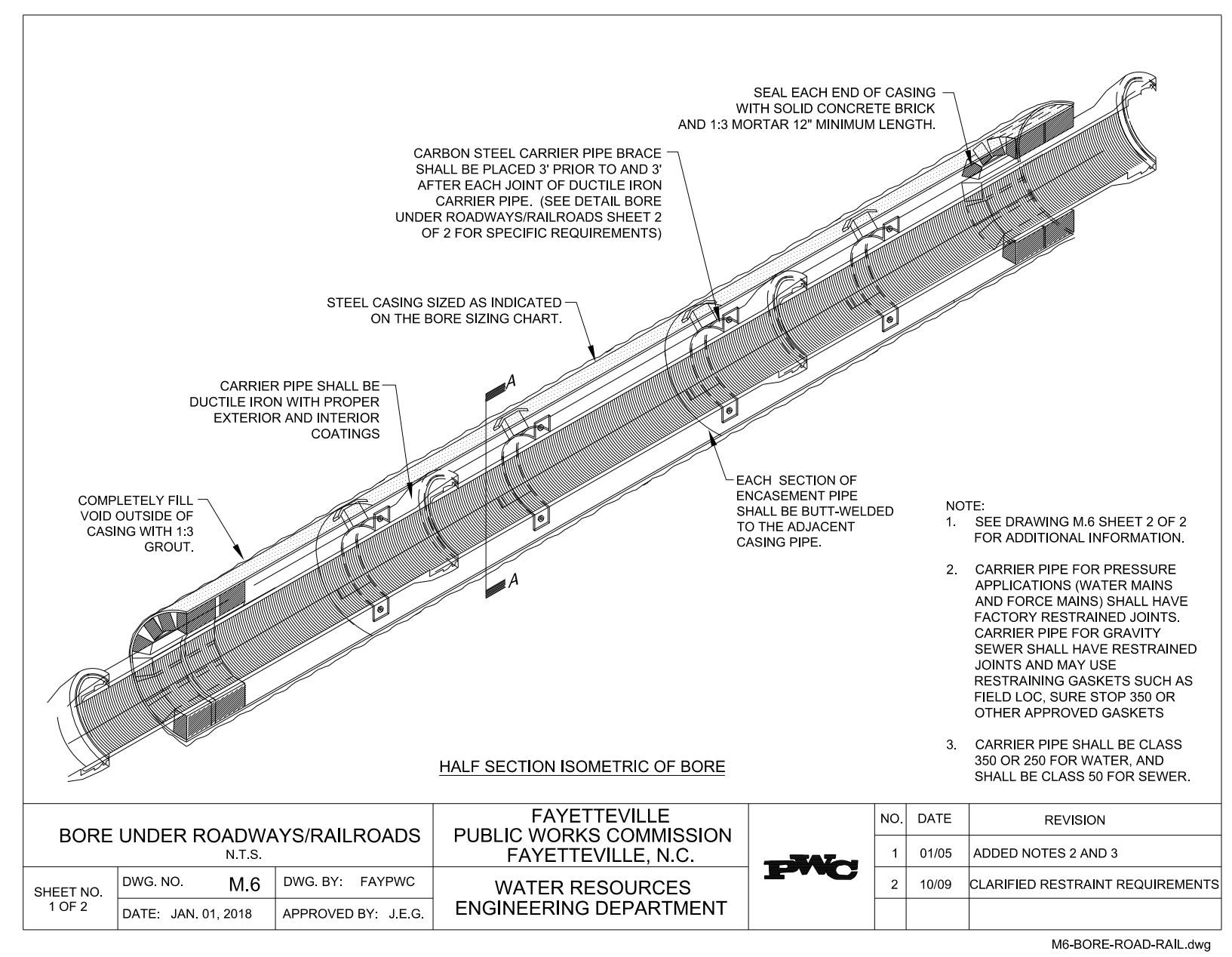


2" DOMESTIC LATERAL		FAYETTEVILLE PUBLIC WORKS COMMISSION FAYETTEVILLE, N.C.		NO. DATE REVISION		
N.T.S.		WATER RESOURCES ENGINEERING DEPARTMENT		1	07/01/17	REVISED NOTES
SHEET NO. 1 OF 1	DWG. NO. W.30	DWG. BY: FAYPWC	APPROVED BY: J.E.G.	2	05/29/18	REVISED NOTES 5, 6, AND 7 FOR NCDOT U-4405
DATE: JAN. 01, 2018	APPROVED BY: J.E.G.	WATER RESOURCES ENGINEERING DEPARTMENT		3	07/24/18	REVISED PER NCDOT COMMENTS (U-4405)

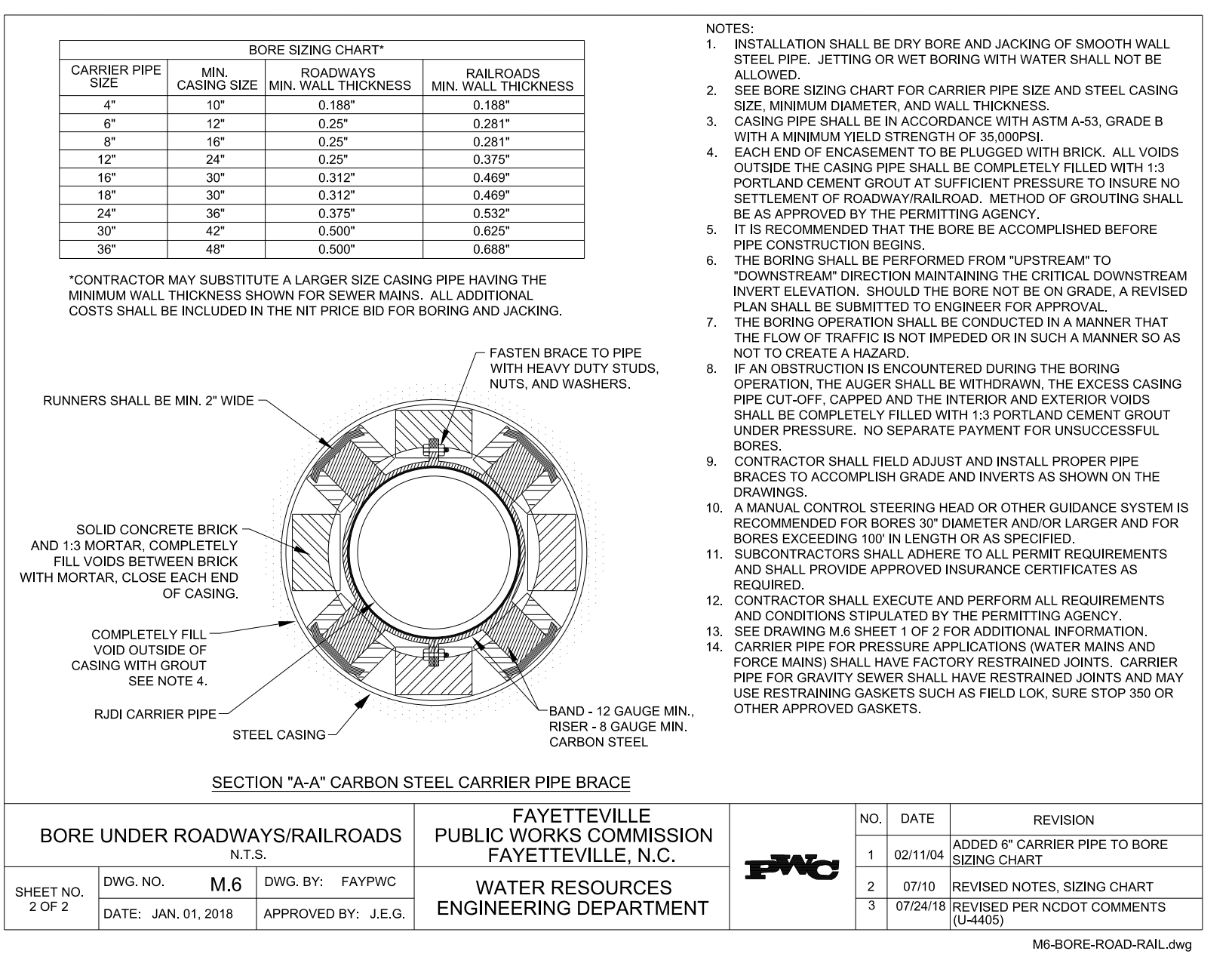


PIPE REPAIR DETAIL		FAYETTEVILLE PUBLIC WORKS COMMISSION FAYETTEVILLE, N.C.		NO. DATE REVISION		
N.T.S.		WATER RESOURCES ENGINEERING DEPARTMENT		1	05/29/18	REVISED NOTES AND CALL OUT FOR NCDOT U-4405
SHEET NO. 1 OF 1	DWG. NO. W.31	DWG. BY: FAYPWC	APPROVED BY: J.E.G.	2	07/24/18	REVISED PER NCDOT COMMENTS

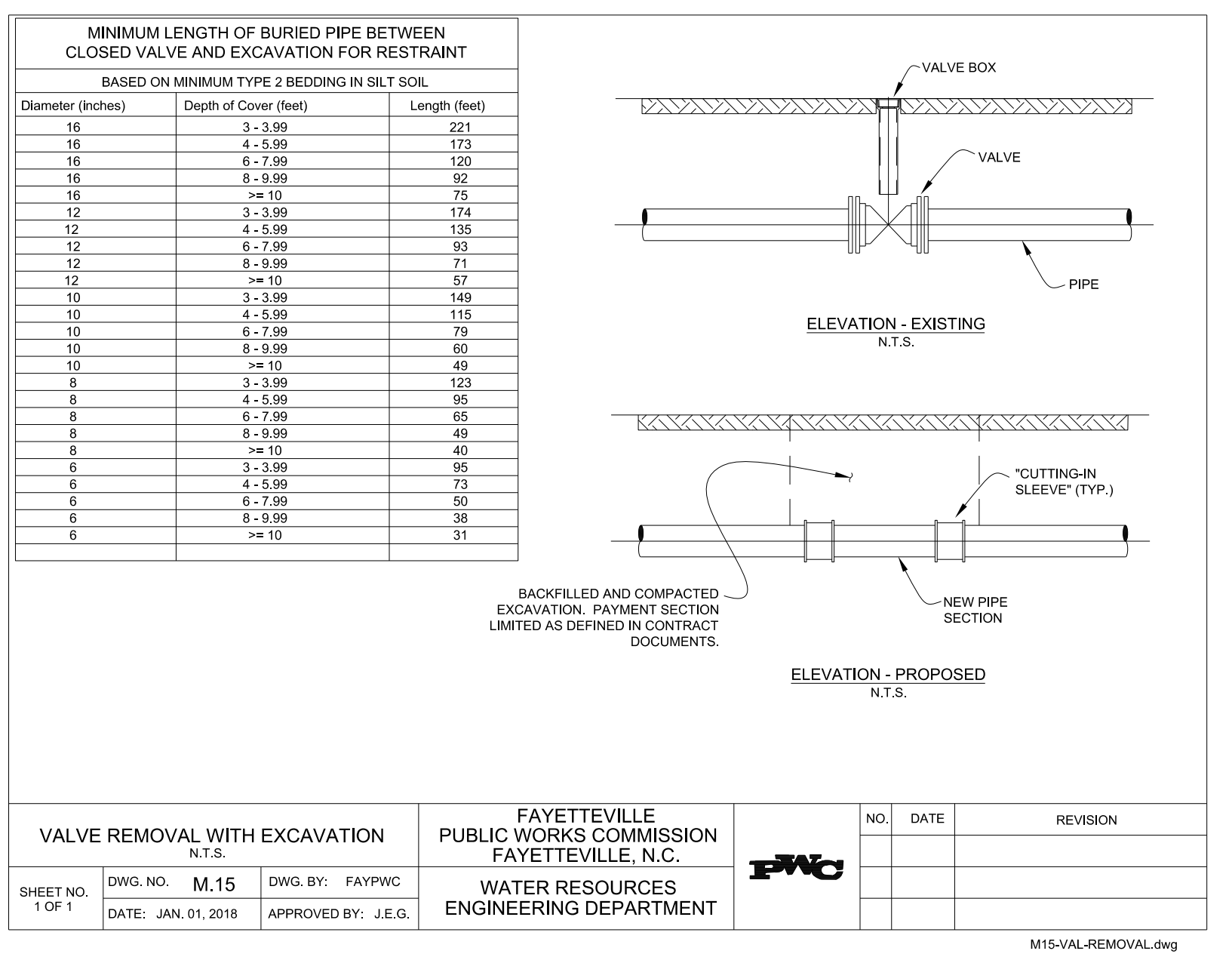
NOTE:
 ANY REFERENCE TO FAYPWC PROJECT COORDINATOR, PWC COORDINATOR OR FAYPWC (FAYETTEVILLE PUBLIC WORKS COMMISSION) SHALL BE INTERPRETTED AS A REFERENCE TO THE ENGINEER.



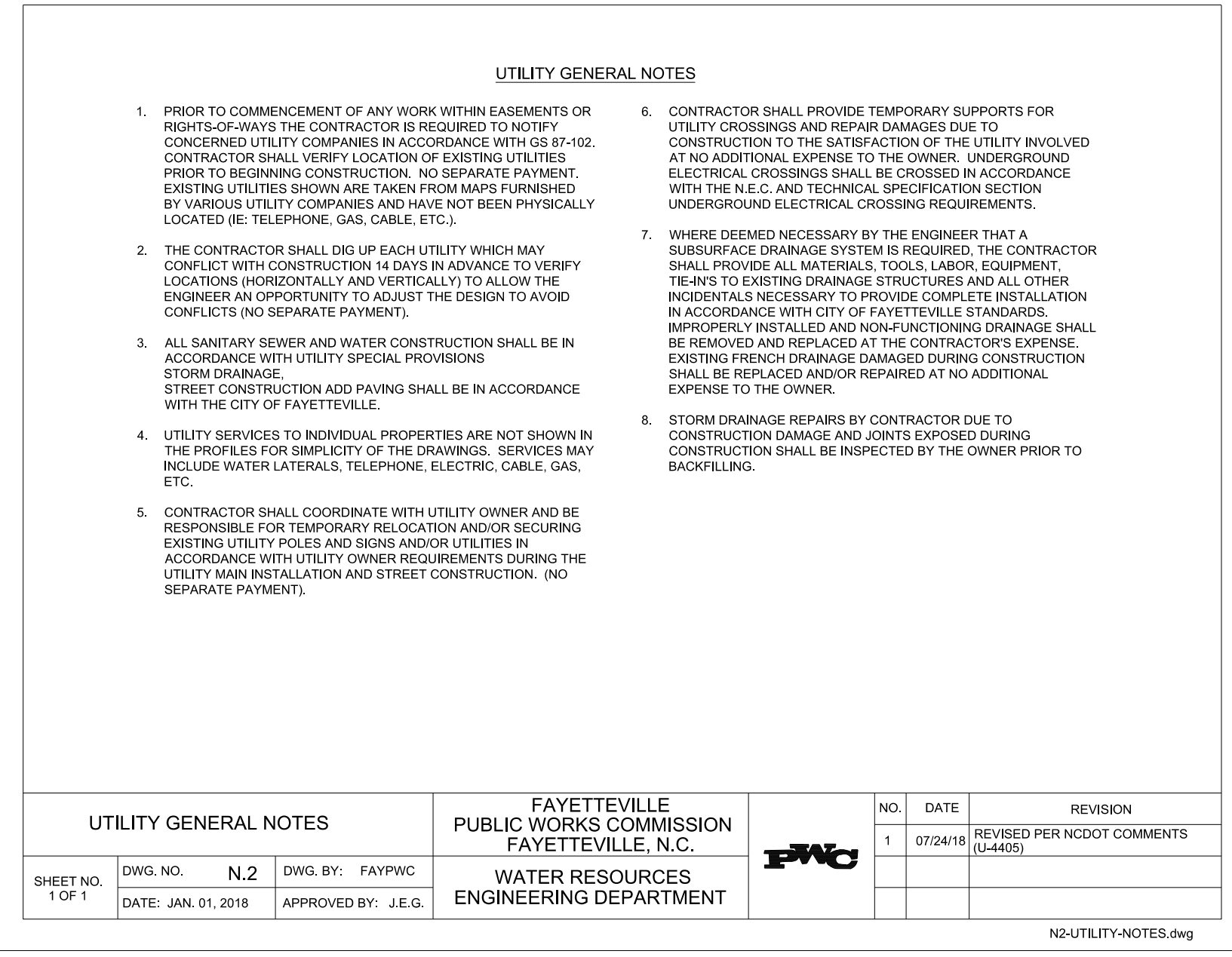
BORE UNDER ROADWAYS/RAILROADS		FAYETTEVILLE PUBLIC WORKS COMMISSION FAYETTEVILLE, N.C.		NO. DATE REVISION		
N.T.S.		WATER RESOURCES ENGINEERING DEPARTMENT		1	01/05	ADDED NOTES 2 AND 3
SHEET NO. 1 OF 2	DWG. NO. M.6	DWG. BY: FAYPWC	APPROVED BY: J.E.G.	2	10/09	CLARIFIED RESTRAINED REQUIREMENTS



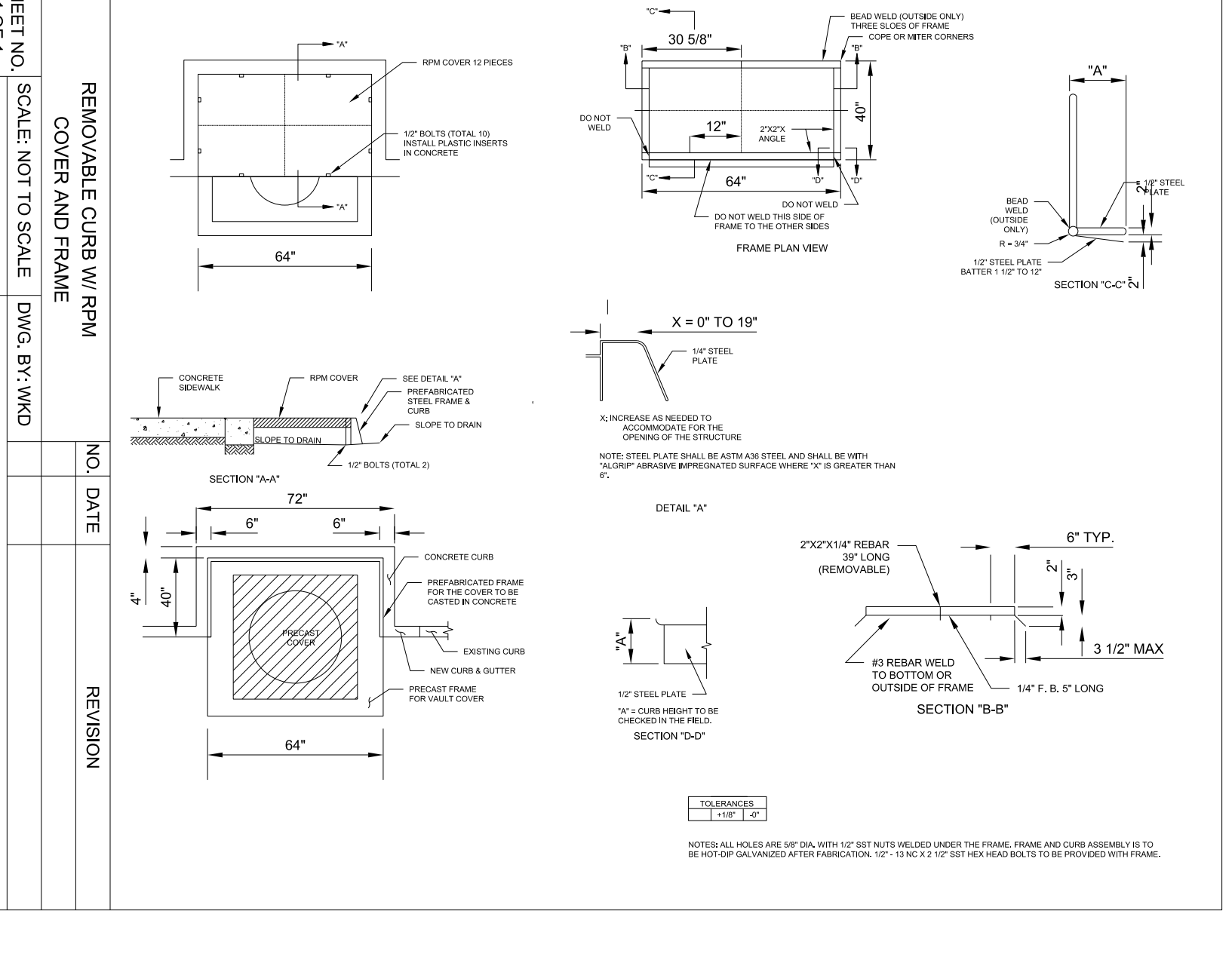
BORE UNDER ROADWAYS/RAILROADS		FAYETTEVILLE PUBLIC WORKS COMMISSION FAYETTEVILLE, N.C.		NO. DATE REVISION		
N.T.S.		WATER RESOURCES ENGINEERING DEPARTMENT		1	02/11/04	ADDED 6" CARRIER PIPE TO BORE SIZING CHART
SHEET NO. 2 OF 2	DWG. NO. M.6	DWG. BY: FAYPWC	APPROVED BY: J.E.G.	2	07/10	REVISED NOTES, SIZING CHART
DATE: JAN. 01, 2018	APPROVED BY: J.E.G.	WATER RESOURCES ENGINEERING DEPARTMENT		3	07/24/18	REVISED PER NCDOT COMMENTS (U-4405)



VALVE REMOVAL WITH EXCAVATION		FAYETTEVILLE PUBLIC WORKS COMMISSION FAYETTEVILLE, N.C.		NO. DATE REVISION		
N.T.S.		WATER RESOURCES ENGINEERING DEPARTMENT		1	02/11/04	ADDED 6" CARRIER PIPE TO BORE SIZING CHART
SHEET NO. 1 OF 1	DWG. NO. M.15	DWG. BY: FAYPWC	APPROVED BY: J.E.G.	2	07/10	REVISED NOTES, SIZING CHART
DATE: JAN. 01, 2018	APPROVED BY: J.E.G.	WATER RESOURCES ENGINEERING DEPARTMENT		3	07/24/18	REVISED PER NCDOT COMMENTS (U-4405)



UTILITY GENERAL NOTES		FAYETTEVILLE PUBLIC WORKS COMMISSION FAYETTEVILLE, N.C.		NO. DATE REVISION		
N.T.S.		WATER RESOURCES ENGINEERING DEPARTMENT		1	07/24/18	REVISED PER NCDOT COMMENTS (U-4405)
SHEET NO. 1 OF 1	DWG. NO. N.2	DWG. BY: FAYPWC	APPROVED BY: J.E.G.	WATER RESOURCES ENGINEERING DEPARTMENT		



REMOVABLE CURB W/ RPM COVER AND FRAME		FAYETTEVILLE PUBLIC WORKS COMMISSION FAYETTEVILLE, N.C.		NO. DATE REVISION		
N.T.S.		WATER RESOURCES ENGINEERING DEPARTMENT		1	07/24/18	REVISED PER NCDOT COMMENTS (U-4405)
SHEET NO. 1 OF 1	DWG. NO. N.2	DWG. BY: FAYPWC	APPROVED BY: J.E.G.	WATER RESOURCES ENGINEERING DEPARTMENT		

UTILITY REV. - JULY 24, 2018 - REVISIONS TO DETAIL SHEETS
 02-AUG-2018 10:36 Fayetteville Public Works Commission\2015\017700RA Reeford Road NCDOT U-4405\CADD\NCDOT PLANS\Utilities\Engineering\4405\ut_dtl_UC031-0.dgn
 5/14/99