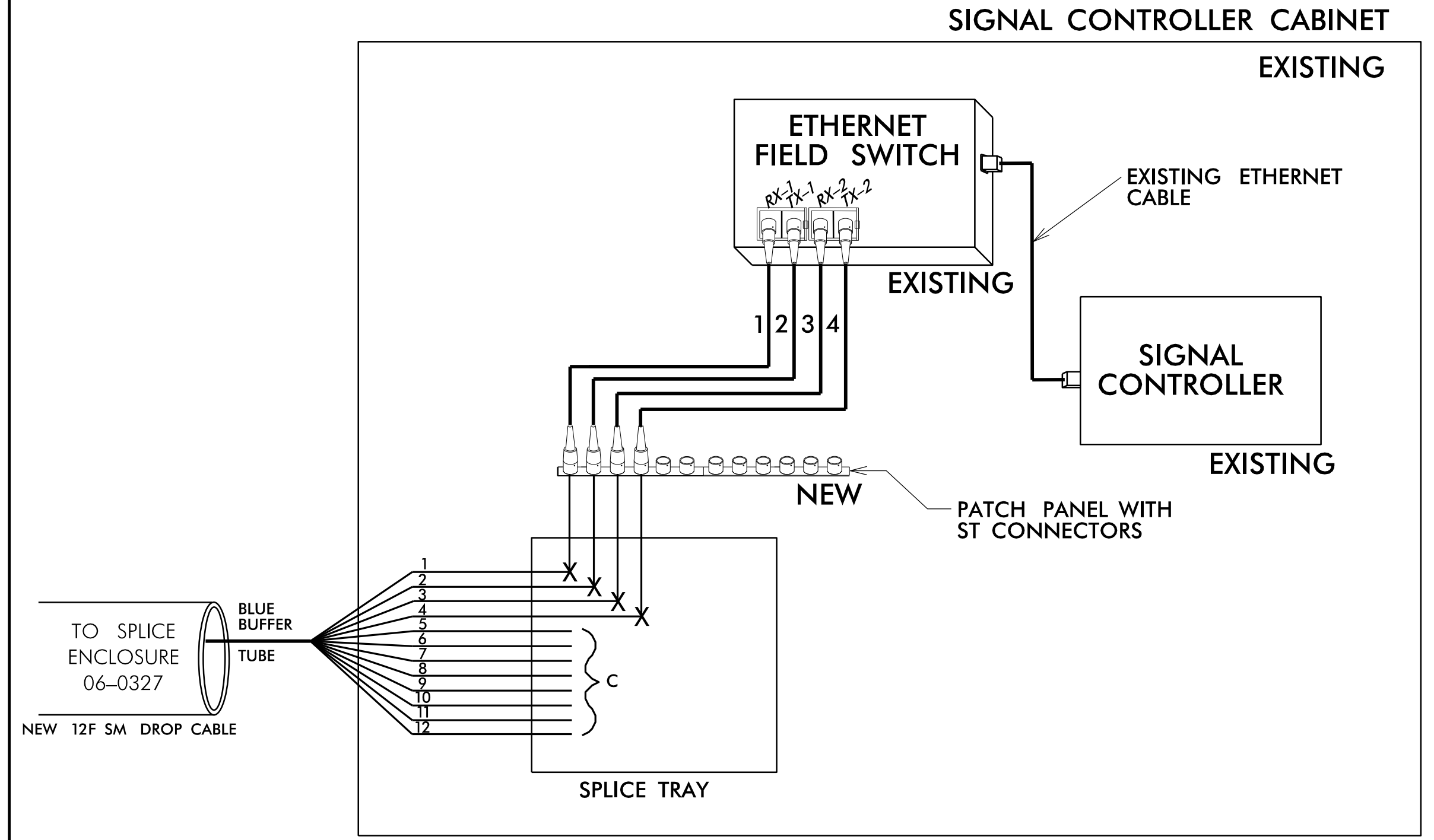


INTERSECTION 06-0327
US 401 Business (Raeford Road)
at
Ferncreek Drive/Roxie Avenue
EXISTING CONTROLLER SIGNAL CABINET

LEGEND
X = FUSION SPlice
C = CAP IN TRAY
SM FIBER PATCH CORD WITH CONNECTORS

COLOR CODE
TIA/EIA 598-A

- (1) BLUE
- (2) ORANGE
- (3) GREEN
- (4) BROWN
- (5) SLATE
- (6) WHITE
- (7) RED
- (8) BLACK
- (9) YELLOW
- (10) VIOLET
- (11) ROSE
- (12) AQUA



- 1) FIVE (5) DAYS PRIOR TO BEGINNING WORK ON THE SIGNAL SYSTEM, CONTACT THE CITY OF FAYETTEVILLE'S, SIGNAL SYSTEMS MANAGEMENT ENGINEER, CARL McCARTNEY AT (910) 433-1660 TO ARRANGE FOR THE DIVISION TO PROGRAM THE NEW FIELD ETHERNET SWITCHES WITH THE NECESSARY NETWORK CONFIGURATION DATA, INCLUDING BUT NOT LIMITED TO THE FOLLOWING:
 - 1.) THE PROJECT IP ADDRESS, DEFAULT GATEWAY, SUBNET MASK AND VLAN ID INFORMATION.
 - 2.) NOTIFY THE DEPUTY TRAFFIC ENGINEER AFTER ALL WORK IS PERFORMED TO ENSURE THAT ALL FIBER CIRCUITS ARE FUNCTIONING PROPERLY.
 - 3.) WORK IS NOT COMPLETE UNTIL THE SYSTEM IS OPERATIONAL.
- 2) INCLUDE ON THE COVER OF EACH SPLICE TRAY THE FOLLOWING:

REFERENCE SECTION 1731 "FIBER OPTIC SPlice ENCLOSURE"

 - 1.) SPLICE LOCATION
 - 2.) DATE
 - 3.) COMPANY NAME
 - 4.) NAME OF INDIVIDUAL PERFORMING THE SPLICING

PRIOR TO INSTALLING THE COVER ON THE SPLICE TRAY TAKE A DIGITAL PHOTOGRAPH SHOWING THE SPLICE TRAY AND INFORMATION SHOWN ABOVE (1-4) AND SUBMIT PHOTOGRAPH ALONG WITH OTDR TEST RESULTS.
- 3) UNUSED FIBER SHALL BE LEFT COILED AND STORED IN THE SPLICE TRAY.
- 4) UNUSED BUFFER TUBES SHALL BE LEFT COILED AND STORED IN THE SPLICE TRAY.
- 5) ETHERNET SWITCH TERMINATION CONFIGURATIONS ARE GENERIC. CONTRACTOR IS RESPONSIBLE FOR DETERMINING AND ENSURING PROPER TERMINATIONS.

US 401 Business (Raeford Road)
at Ferncreek Drive/Roxie Avenue

FINAL

3/27/2018 U:\1710011766*Transportation\Traffic*Signal\des\gn\ITS U-4405*U-4405_Fiber Splicing SCP-20 - SCP-42.dgn j.ingram

<p>Stantec Consulting Services Inc. 801 Jones Franklin Road Suite 300 Raleigh, NC 27606 Tel. (919) 851-6866 Fax. (919) 851-7024 www.stantec.com License No. F-0672</p>		<p>FIBER CABLE SPLICING DETAILS INTERSECTION 06-0327</p>		<p>SEAL LAWRENCE E. OVERMAN ENGINEER DATE</p>
		<p>750 N. Greenfield Pkwy., Garner, NC 27529</p>	<p>SCALE N/A</p>	