

PROJECT REFERENCE NO.	SHEET NO.
U-4405	EC-04/CONST. 4A
RW SHEET NO.	
ROADWAY DESIGN ENGINEER	HYDRAULICS ENGINEER

CLEARING AND GRUBBING
EROSION CONTROL FOR
CONSTRUCTION SHEET 4A

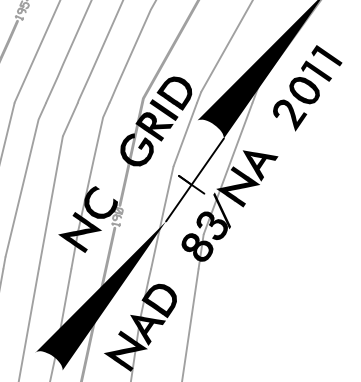
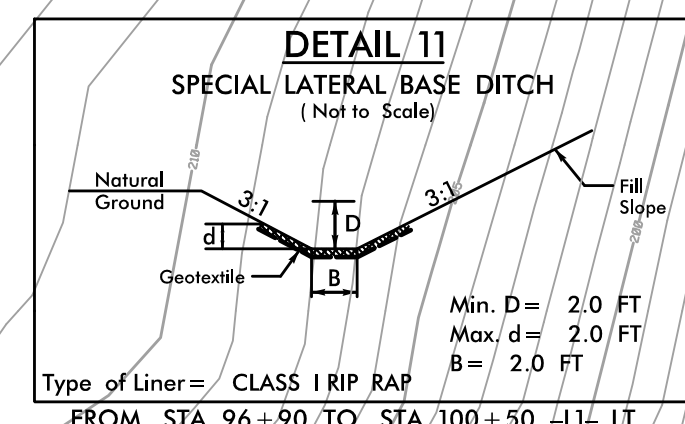
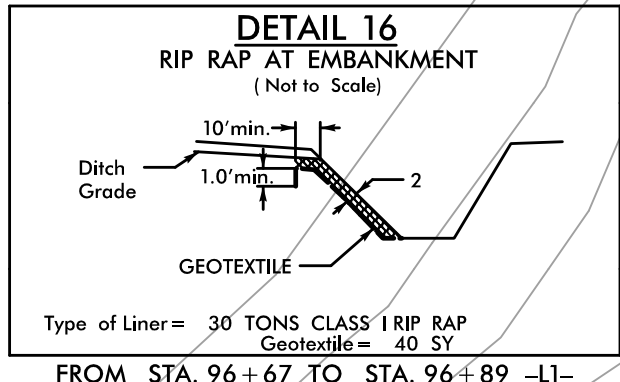
NOTE:
PLACE TEMPORARY ROCK SEDIMENT DAMS TYPE - B
AND TEMPORARY ROCK SILT CHECKS TYPE - A AT
DRAINAGE OUTLETS.

NOTES: ANY DEVIATION FROM OPTIONS GIVEN WILL
REQUIRE PRIOR APPROVAL BY ENGINEER.

ADDITIONAL EROSION CONTROL DEVICES MAY
NEED TO BE INSTALLED AS DIRECTED.

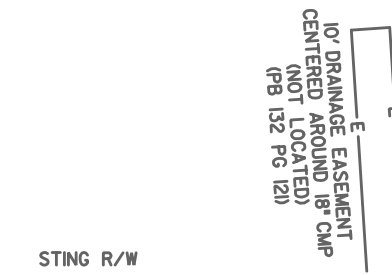
INSTALL FABRIC INSERT INLET PROTECTION
DEVICE IN LIEU OF ROCK INLET SEDIMENT
TRAP TYPE 'C' AS DIRECTED TO AVOID
PONDING OF RUNOFF IN ROADWAY OPEN TO
PUBLIC TRAFFIC

INSTALL PIPE(S) IN JURISDICTIONAL AREAS WITHOUT IMPACTING STREAM UNTIL
AREA STABILIZED AND ACCORDING TO NCDOT BEST MANAGEMENT
PRACTICES FOR CONSTRUCTION AND MAINTENANCE ACTIVITIES MANUAL.



-Y50-
PI Sta 13+13.27
 $\Delta = 43'14" 06.3" (RT)$
 $D = 9'57" 52.1"$
 $L = 433.89'$
 $T = 227.86'$
 $R = 575.00'$

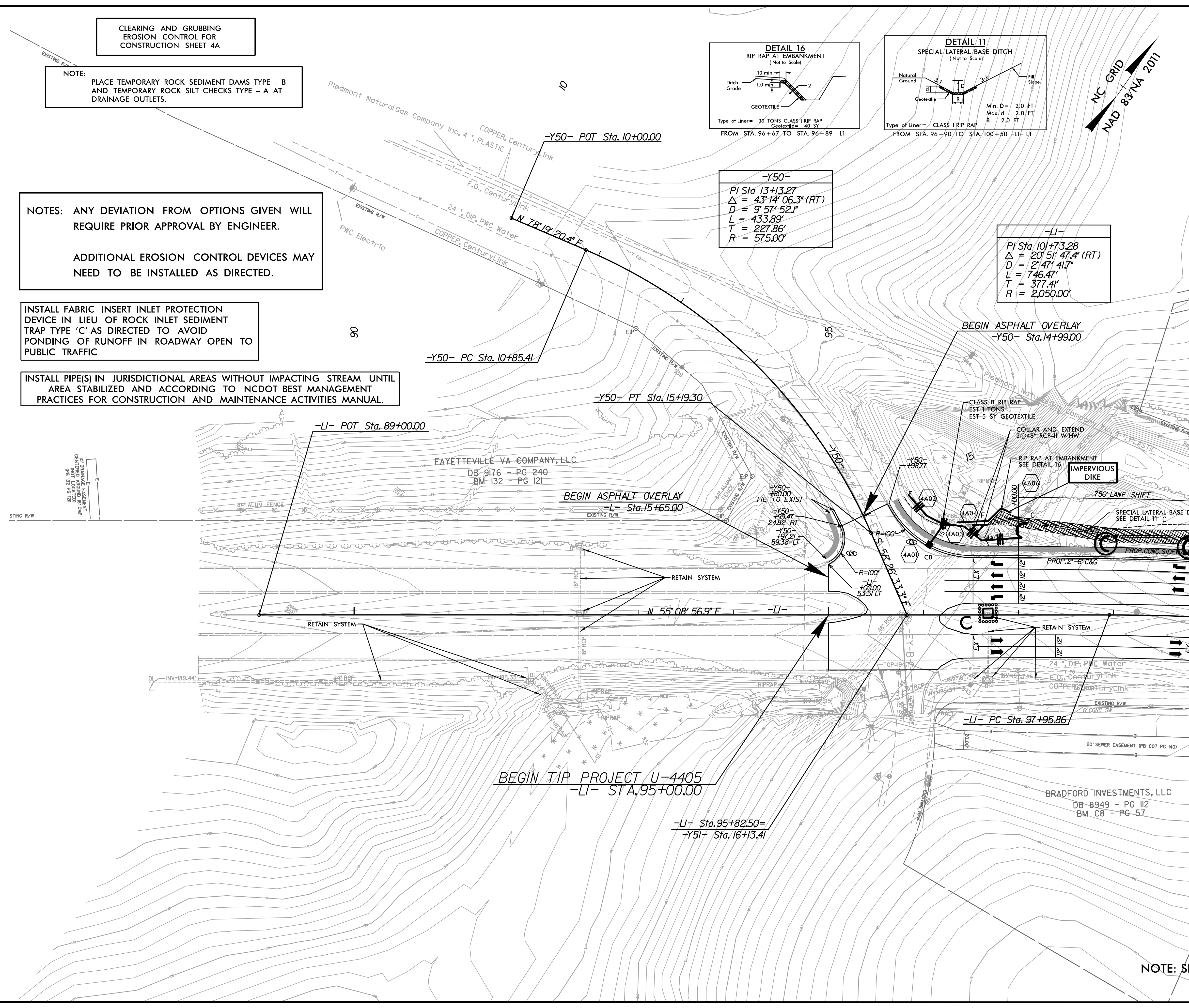
-LI-
PI Sta 101+73.28
 $\Delta = 20'51" 47.4" (RT)$
 $D = 2'47" 41.7"$
 $L = 746.47'$
 $T = 377.41'$
 $R = 2,050.00'$



8/17/99

REVISIONS

I02144. AM
R:\Environmental\Design\4405.REU.EC.psh_04A.LC.dgn
alobae



MATCHLINE SEE SHEET 4B
-LI- STA 99+00

NOTE: SEE SHEET 52 FOR -LI- PROFILE