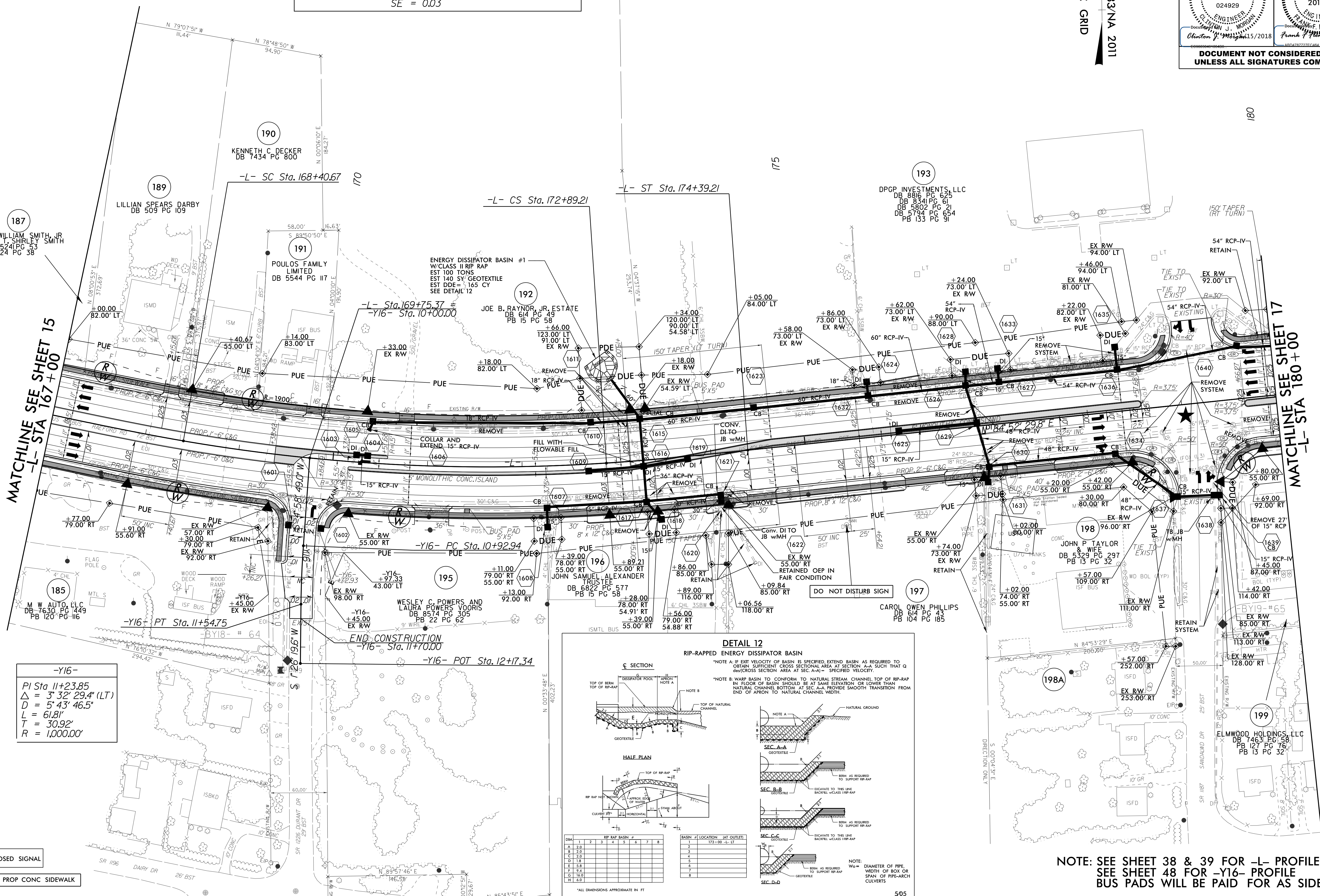


PROJECT REFERENCE NO. U-4405		SHEET NO. 16	
ROADWAY DESIGN ENGINEER		HYDRAULICS ENGINEER	
DOCUMENT NOT CONSIDERED FINAL UNLESS ALL SIGNATURES COMPLETED			

NAD 83/NA 2011
NC GRID

-L-

Pls Sta 167+90.68 θs = 2°14'59.4" Ls = 150.00' LT = 100.01' ST = 50.01'	PI Sta 170+65.98 Δ = 13°27'18.9" (LT) D = 2°59'59.2" L = 448.54' T = 225.31' R = 1,910.00' SE = 0.03	Pls Sta 173+39.22 θs = 2°14'59.4" Ls = 150.00' LT = 100.01' ST = 50.01'
---	--	---



187
MARVIN WILLIAM SMITH, JR
AND WIFE, L. SHIRLEY SMITH
DB 5241 PG 53
PB 24 PG 38

189
LILLIAN SPEARS DARBY
DB 509 PG 109

190
KENNETH C. DECKER
DB 7434 PG 800

191
POULOS FAMILY
LIMITED
DB 5544 PG 117

192
JOE B. RAYNOR, JR., ESTATE
DB 614 PG 49
PB 15 PG 58

193
DPGP INVESTMENTS, LLC
DB 8816 PG 625
DB 8341 PG 61
DB 5802 PG 21
DB 5794 PG 654
PB 133 PG 91

195
WESLEY C. POWERS AND
LAURA POWERS VOORIS
DB 8574 PG 305
PB 22 PG 62

196
JOHN SAMUEL ALEXANDER
TRUSTEE
DB 6822 PG 577
PB 15 PG 58

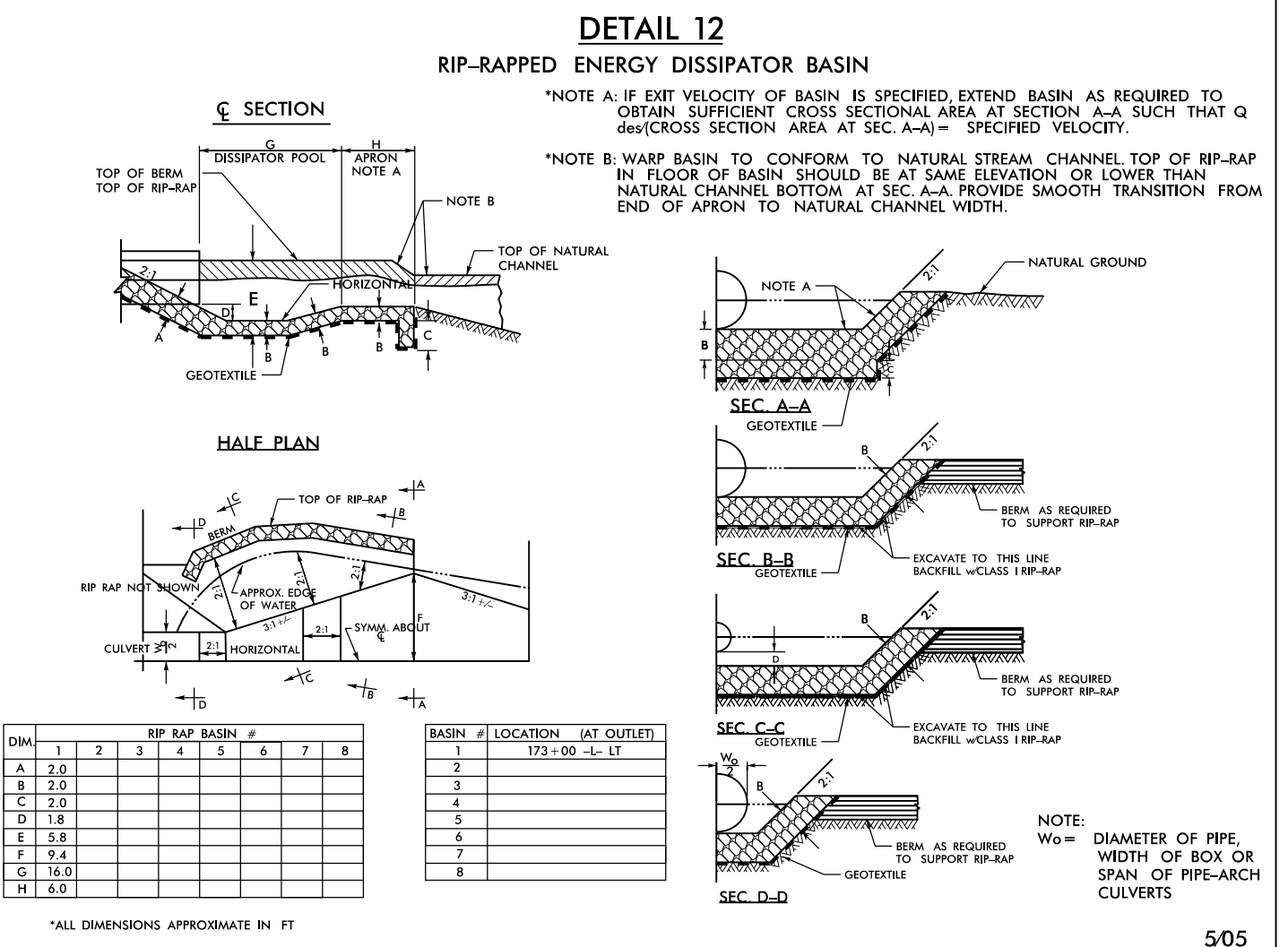
197
CAROL OWEN PHILLIPS
DB 614 PG 43
PB 104 PG 185

198
JOHN P. TAYLOR
& WIFE
DB 5329 PG 297
PB 13 PG 32

199
ELMWOOD HOLDINGS, LLC
DB 7463 PG 58
PB 127 PG 78
PB 13 PG 32

-Y16-

PI Sta 11+23.85 Δ = 3°32'29.4" (LT) D = 5°43'46.5" L = 61.81' T = 30.92' R = 1,000.00'



NOTE: SEE SHEET 38 & 39 FOR -L- PROFILE
SEE SHEET 48 FOR -Y16- PROFILE
BUS PADS WILL BE PAID FOR AS SIDEWALK

★ PROPOSED SIGNAL
▬ PROP CONC SIDEWALK

REVISIONS

8/17/99

14: JUN-2016 2:20 PM N:\4405_rdy_psh_16.dgn
R:\PROJECTS\4405\DRAWING\16.dgn