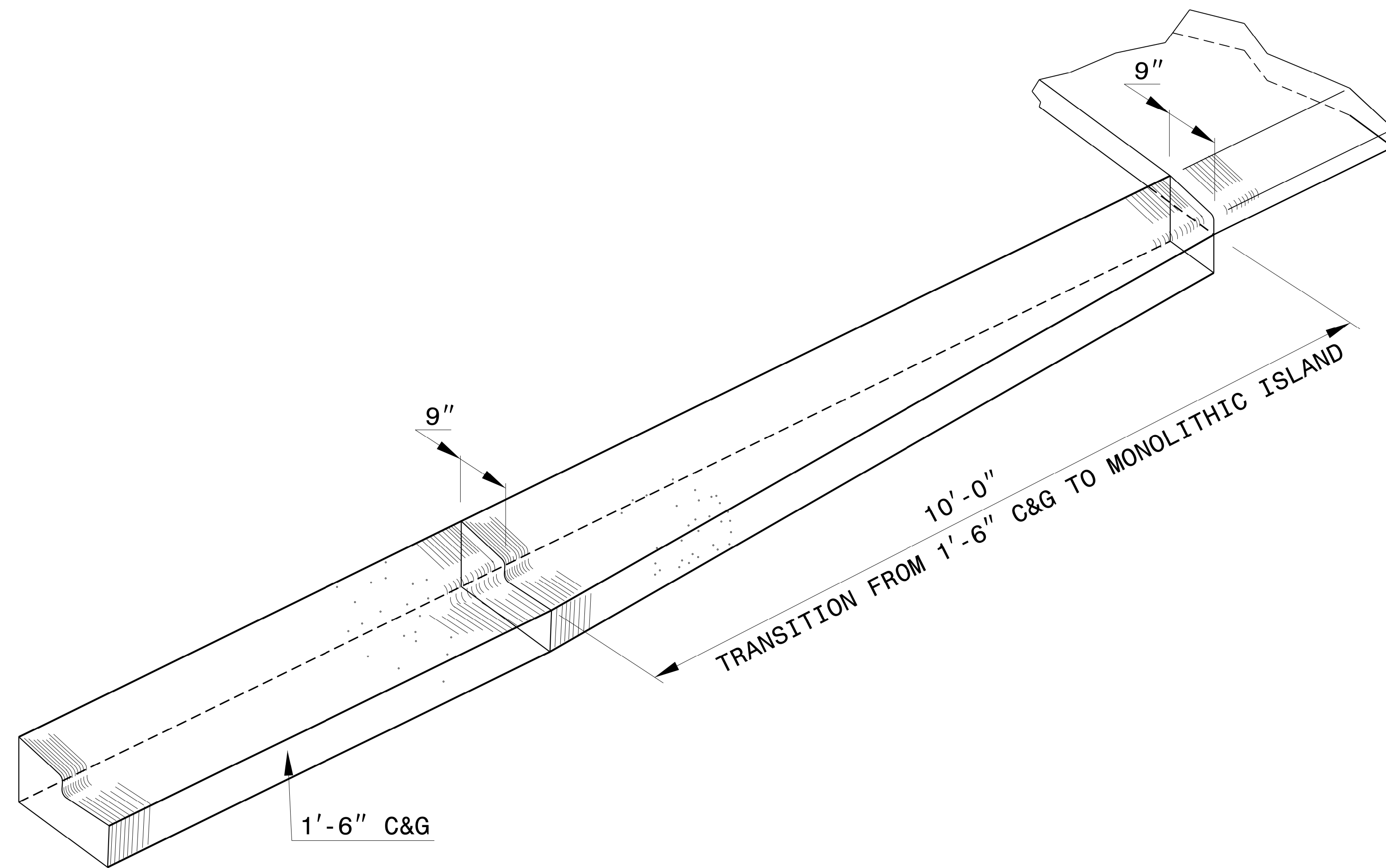


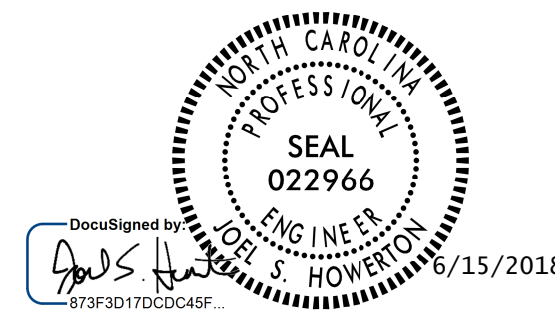
1'-6" CURB AND GUTTER

NOTE: SEE STD. DWG. 846.01 FOR ADDITIONAL CURB AND GUTTER INFORMATION.

SEE ROADWAY PLANS FOR LOCATION OF CURB TRANSITION.



ISOMETRIC VIEW OF TRANSITIONING CURB & GUTTER



DOCUMENT NOT CONSIDERED FINAL UNLESS ALL SIGNATURES COMPLETED

CONTRACTS STANDARDS AND DEVELOPMENT UNIT	
Office 919-707-6950 FAX 919-250-4119	
DETAIL OF 1'-6" CURB & GUTTER TRANSITION SECTION	
ORIGINAL BY:	DATE:
MODIFIED BY: KKEMPF	DATE: 09-24-14
CHECKED BY:	DATE:
FILE SPEC.: kkempf/english/curb_gutter_tansion.dgn	