

GENERAL NOTES:

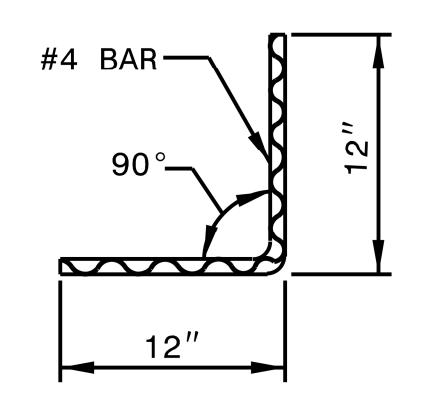
USE CLASS "B" CONCRETE THROUGHOUT.

OPTIONAL CONSTRUCTION - MONOLITHIC POUR, 2" KEYWAY, OR #4 BAR DOWELS AT 12" CENTERS OR BRICK/BLOCK WALLS AS DIRECTED BY THE ENGINEER.

USE FORMS FOR THE CONSTRUCTION OF THE BOTTOM SLAB.

BOX DIMENSIONS MAY BE FIELD ADJUSTED AS DIRECTED BY THE ENGINEER.

2" MINIMUM CONCRETE COVERAGE ON ALL REBAR.

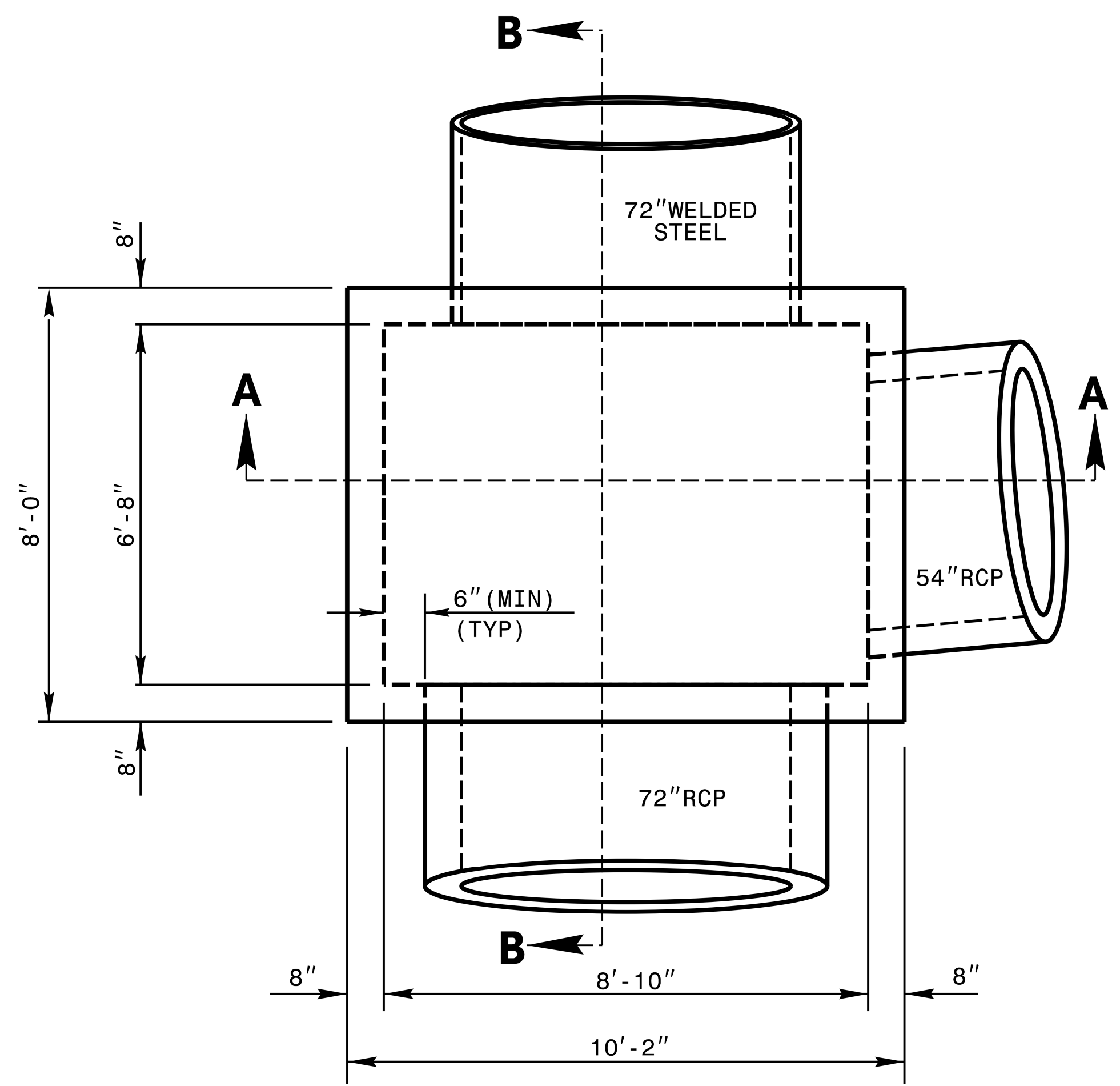


DOWEL

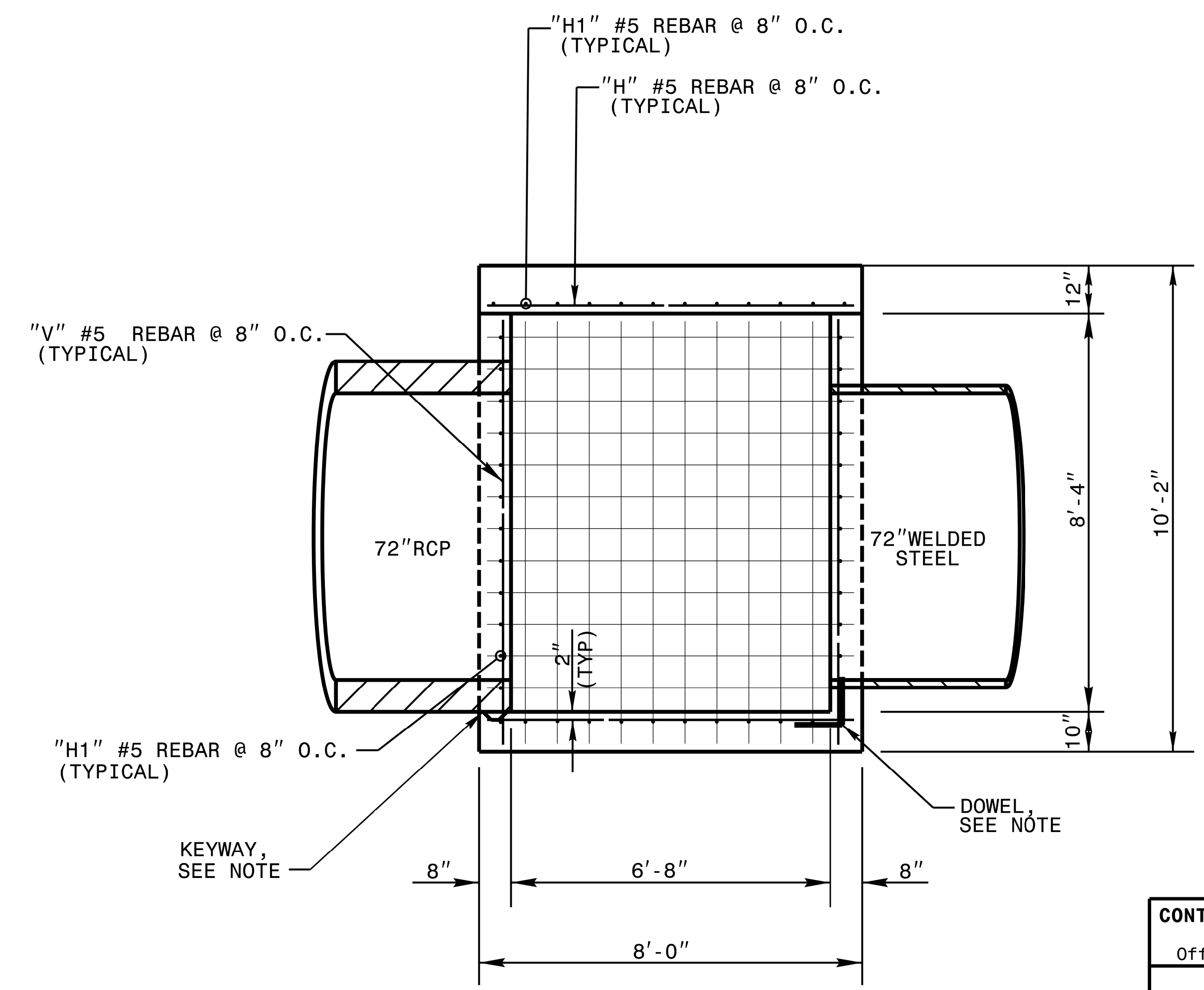
BILL OF MATERIALS				
BAR	NO.	SIZE	LENGTH	WEIGHT
H	42	#5	7'-8"	336
H1	48	#5	9'-10"	492
V	54	#5	8'-10"	497
Z	14	#5	5'-0"	74
TOTAL REINF. STEEL (LBS.)				1399
TOTAL CONC. (CU. YDS.)				* 12.5

* NO DEDUCTION HAS BEEN MADE FOR PIPES

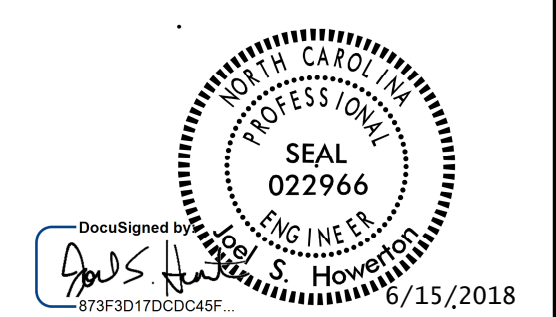
SECTION A-A



PLAN VIEW



SECTION B-B



DOCUMENT NOT CONSIDERED FINAL UNLESS ALL SIGNATURES COMPLETED

CONTRACT STANDARDS & DEVELOPMENT UNIT
STANDARDS AND SPECIAL DESIGN
Office 919-707-6950 FAX 919-250-4119

SPECIAL JUNCTION BOX WITH SLAB LID

ORIGINAL BY: _____ DATE: _____
 MODIFIED BY: kkempf DATE: 02/23/18
 CHECKED BY: _____ DATE: _____
 FILE SPEC.: detail/kkempf/english/u4405 72jb.dgn

5/14/99
 \$\$\$\$SYTIME\$\$\$\$
 \$\$\$\$VTIME\$\$\$\$
 \$\$\$\$DGN\$\$\$\$
 \$\$\$\$USERNAME\$\$\$\$