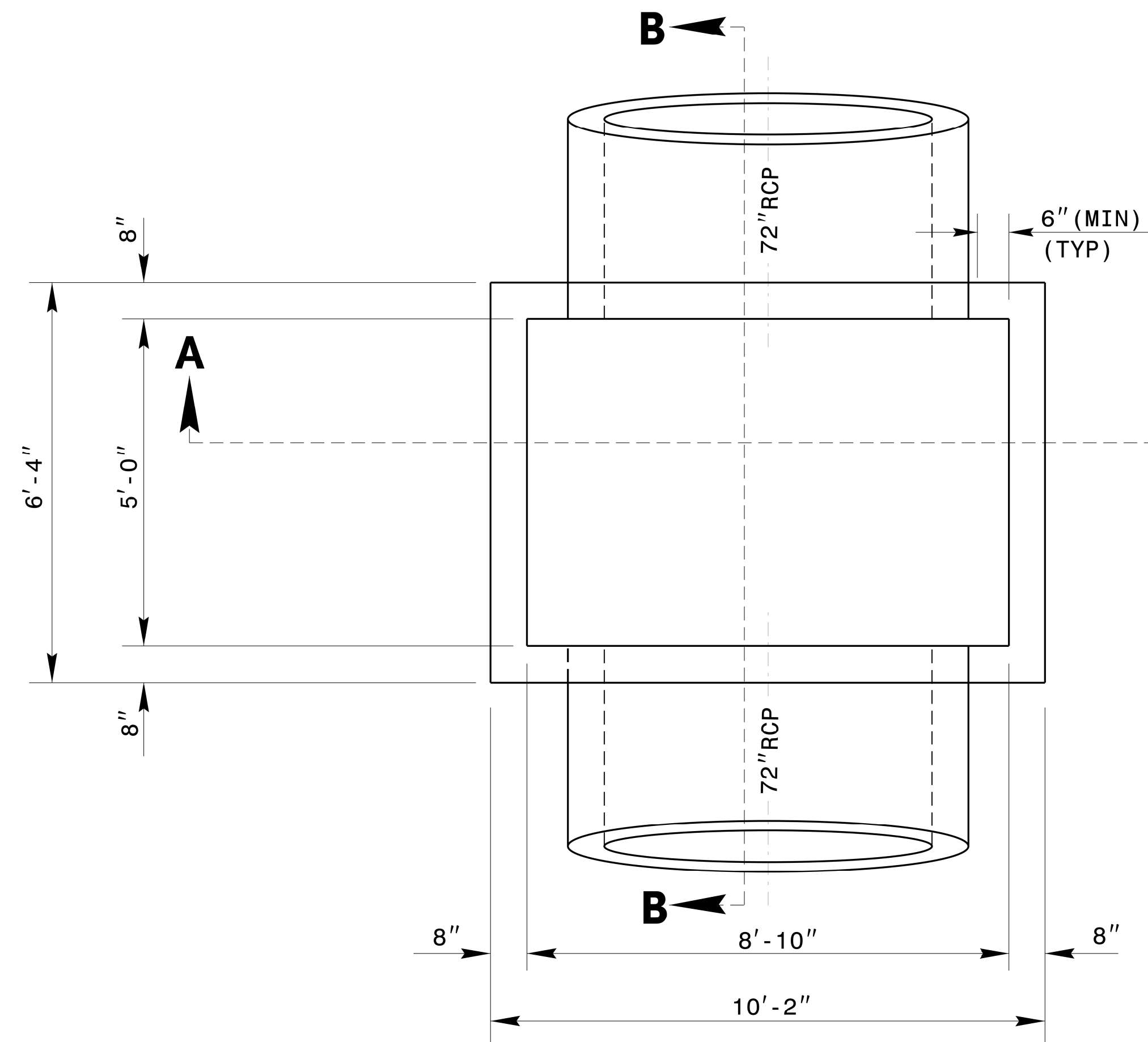


**SECTION A-A**



**PLAN VIEW**

**GENERAL NOTES:**

USE CLASS "B" CONCRETE THROUGHOUT.

OPTIONAL CONSTRUCTION - MONOLITHIC POUR, 2" KEYWAY, OR #4 BAR DOWELS AT 12" CENTERS OR BRICK/BLOCK WALLS AS DIRECTED BY THE ENGINEER.

USE FORMS FOR THE CONSTRUCTION OF THE BOTTOM SLAB.

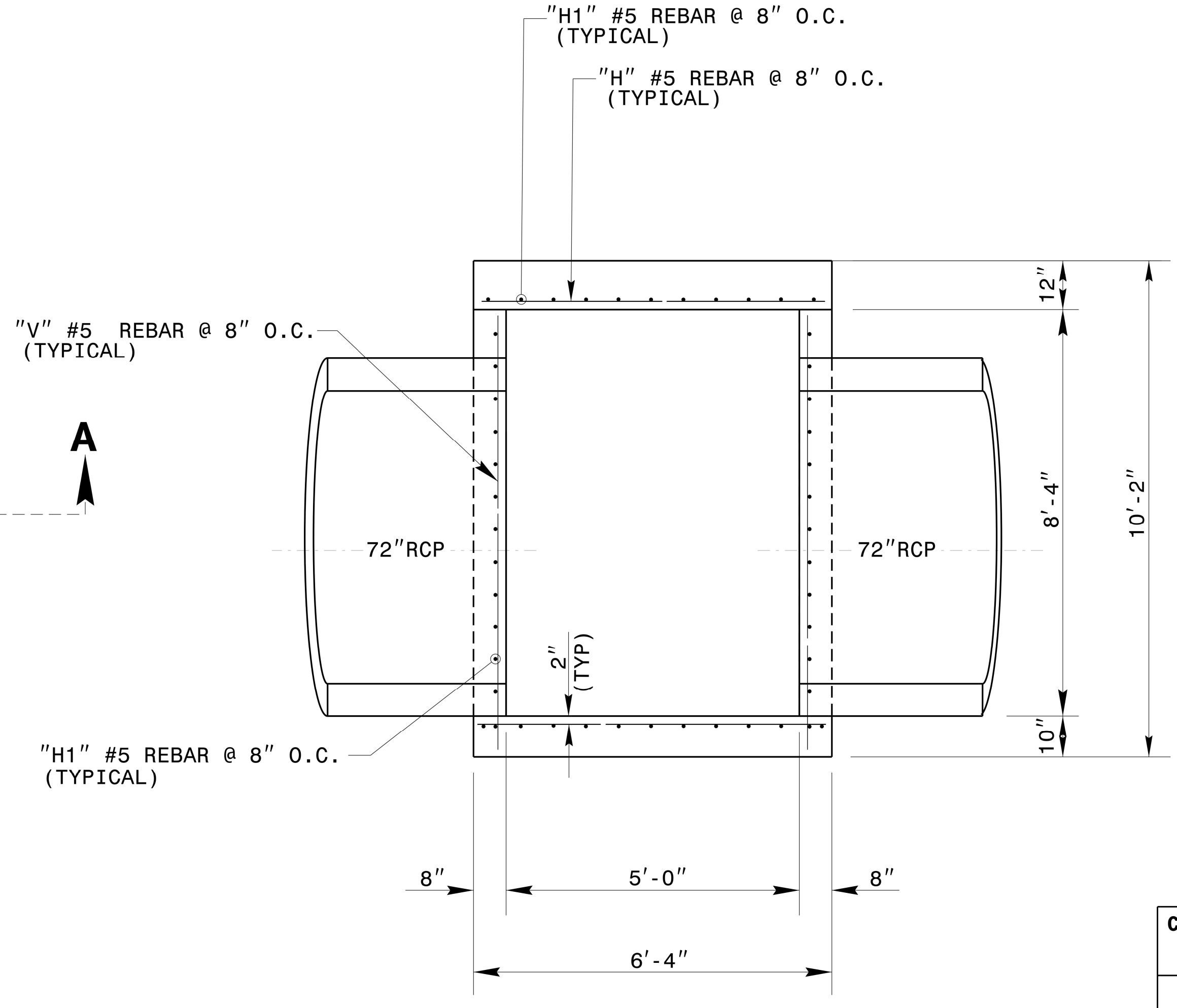
BOX DIMENSIONS MAY BE FIELD ADJUSTED AS DIRECTED BY THE ENGINEER.

2" MINIMUM CONCRETE COVERAGE ON ALL REBAR.

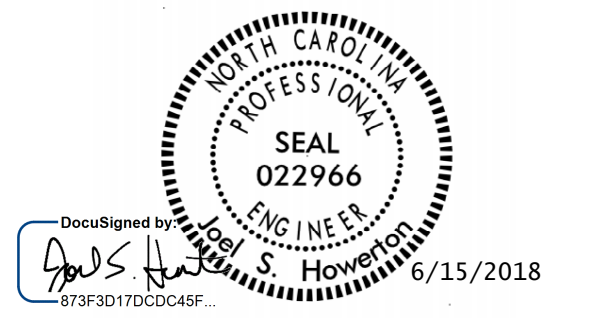
| BILL OF MATERIALS         |     |      |        |        |
|---------------------------|-----|------|--------|--------|
| BAR                       | NO. | SIZE | LENGTH | WEIGHT |
| H                         | 42  | #5   | 8'-10" | 387    |
| H1                        | 48  | #5   | 8'-6"  | 426    |
| V                         | 54  | #5   | 7'-6"  | 423    |
| Z                         | 14  | #5   | 5'-0"  | 74     |
| TOTAL REINF. STEEL (LBS.) |     |      |        | 1310   |
| TOTAL CONC. (CU. YDS.)    |     |      |        | * 11.8 |

\* NO DEDUCTION HAS BEEN MADE FOR PIPES

\* 2.00 CU. YD. DEDUCTION FOR 2-72" RC PIPE



**SECTION B-B**



**CONTRACT STANDARDS & DEVELOPMENT UNIT  
STANDARDS AND SPECIAL DESIGN**  
Office 919-707-6950 FAX 919-250-4119

**SPECIAL JUNCTION BOX  
WITH SLAB LID**

ORIGINAL BY: \_\_\_\_\_ DATE: \_\_\_\_\_  
 MODIFIED BY: nbritt DATE: 04/17/09  
 CHECKED BY: \_\_\_\_\_ DATE: \_\_\_\_\_  
 FILE SPEC.: detail/nbritt/english/rural/r2417c72jb.dgn

\*\*\*\*\*SYSTEMTIME\*\*\*\*\*  
 \*\*\*\*\*SERVERNAME\*\*\*\*\*  
 \*\*\*\*\*USER\*\*\*\*\*