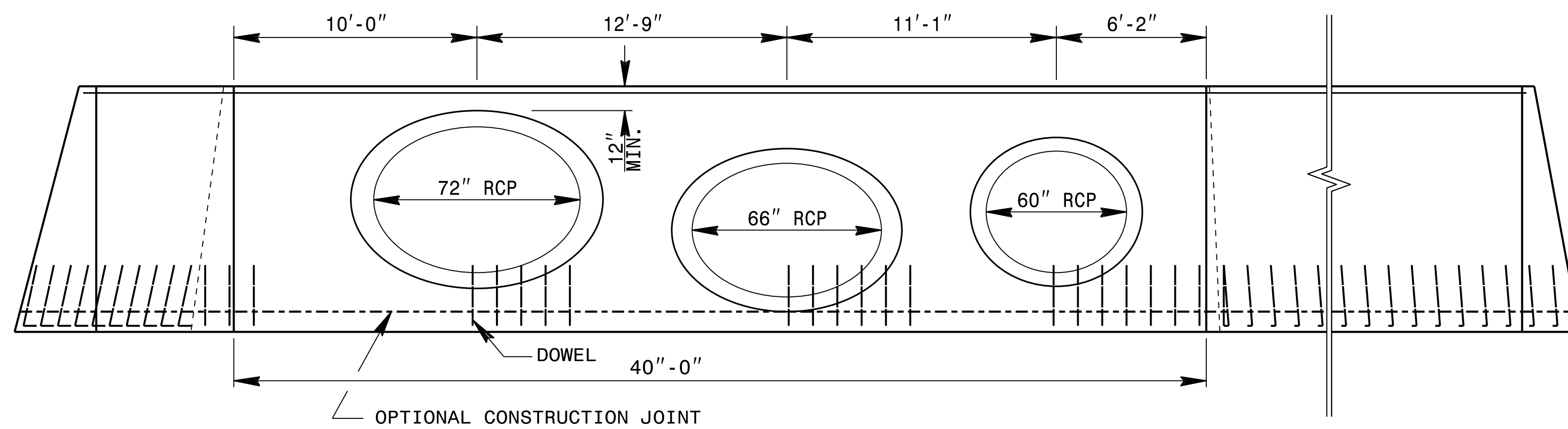
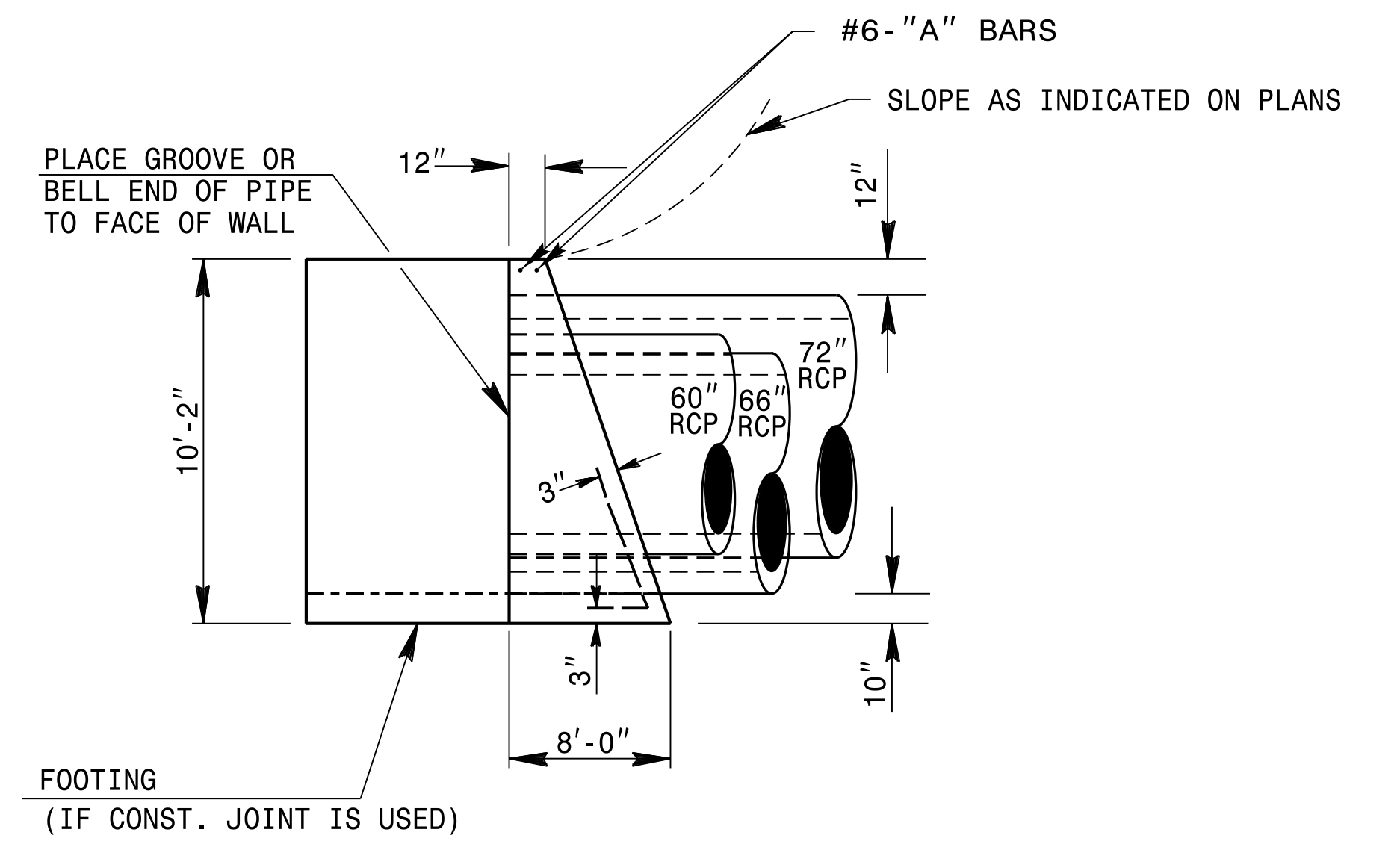
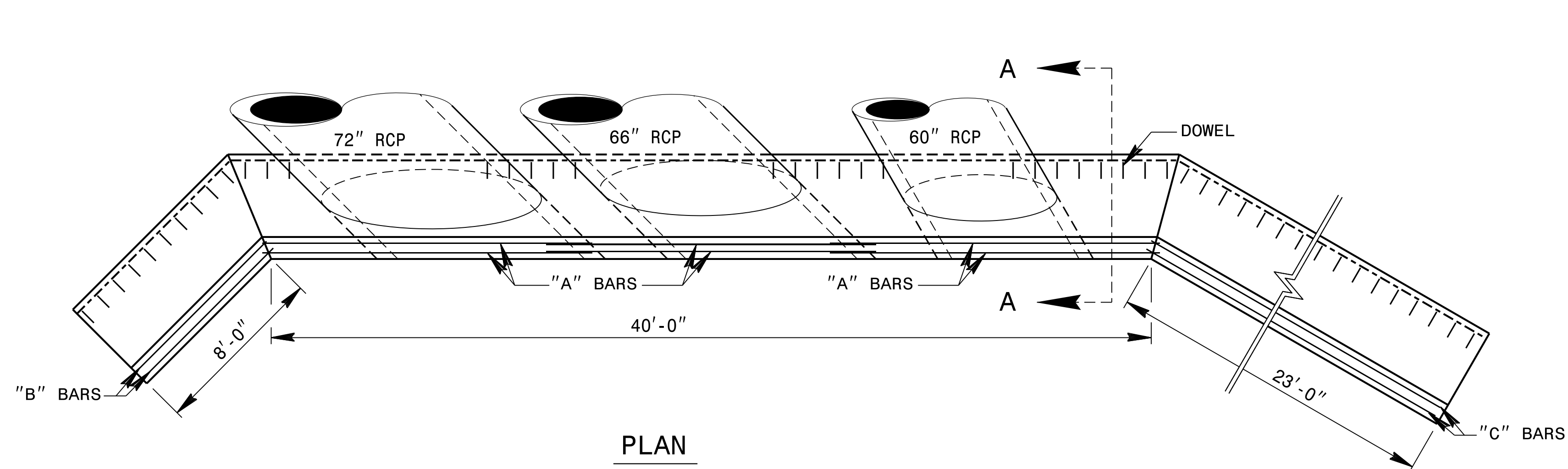
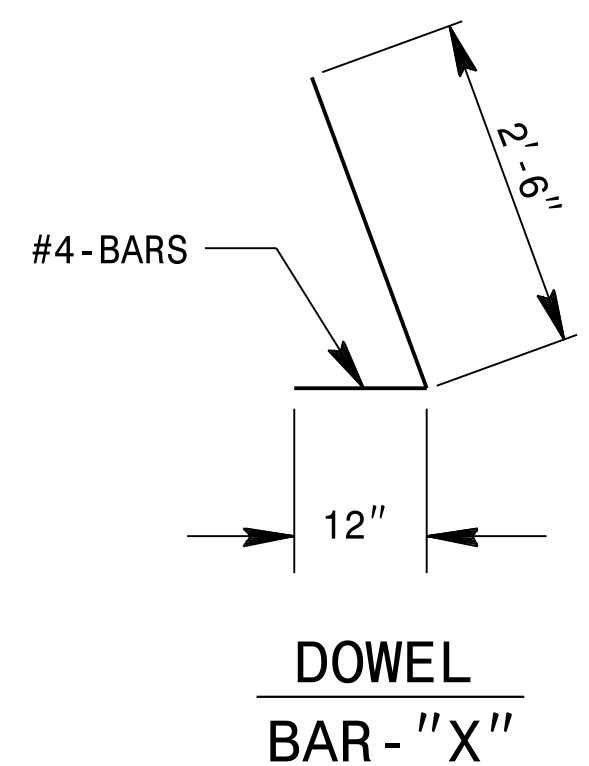


* NOT TO SCALE



- GENERAL NOTES:
- CHAMFER ALL CORNERS 1".
 - USE FORMS TO CONSTRUCT THE BOTTOM SLAB.
 - WHEN THE CONTRACTOR ELECTS TO USE A CONSTRUCTION JOINT AT THE BOTTOM OF THE PIPE, PLACE BAR 'X' DOWELS IN THE BASE AS SHOWN ON PLANS. SPACING OF BARS IS TO BE APPROXIMATELY 12" CENTERS UNLESS OTHERWISE DIRECTED BY THE ENGINEER.
 - WHEN THE CONTRACTOR ELECTS TO USE A CONSTRUCTION JOINT AT THE BOTTOM OF THE PIPE AND POUR THE BASE SEPARATELY THE POUR SHALL BE LEFT ROUGH.
 - REINFORCING STEEL TO BE CUT, BENT OR RELOCATED AS DIRECTED BY THE ENGINEER.
 - FINAL LOCATION OF PIPES TO BE DETERMINED BY THE ENGINEER.
 - SEE SPECIAL DETAIL FOR FENCE INSTALLATION IF REQUIRED BY THE ENGINEER.
 - USE CLASS "B" CONCRETE.

ELEVATION



BILL OF MATERIALS				
BAR	QTY	SIZE	LENGTH	WEIGHT
A	6	#6	15'-0"	120
B	2	#6	8'-0"	90
C	2	#6	23'-0"	90
X	63	#4	3'-6"	147
TOTAL REINF. STEEL (lbs.)				447
TOTAL CONC. CU. YDS.				120.3
PIPE DEDUCTIONS CU. YDS.				23.0

DOCUMENT NOT CONSIDERED FINAL UNLESS ALL SIGNATURES COMPLETED

CONTRACTS STANDARDS AND DEVELOPMENT UNIT
Office 919-707-6950 FAX 919-250-4119

CONCRETE ENDWALL FOR 60" RCP, 66" RCP, 72" WSP, W/ WINGWALL

ORIGINAL BY: K KEMPF DATE: 05-07-18
 MODIFIED BY: DATE:
 CHECKED BY: DATE:
 FILE SPEC.: kkempf\english\U4405_endwalls.dgn

