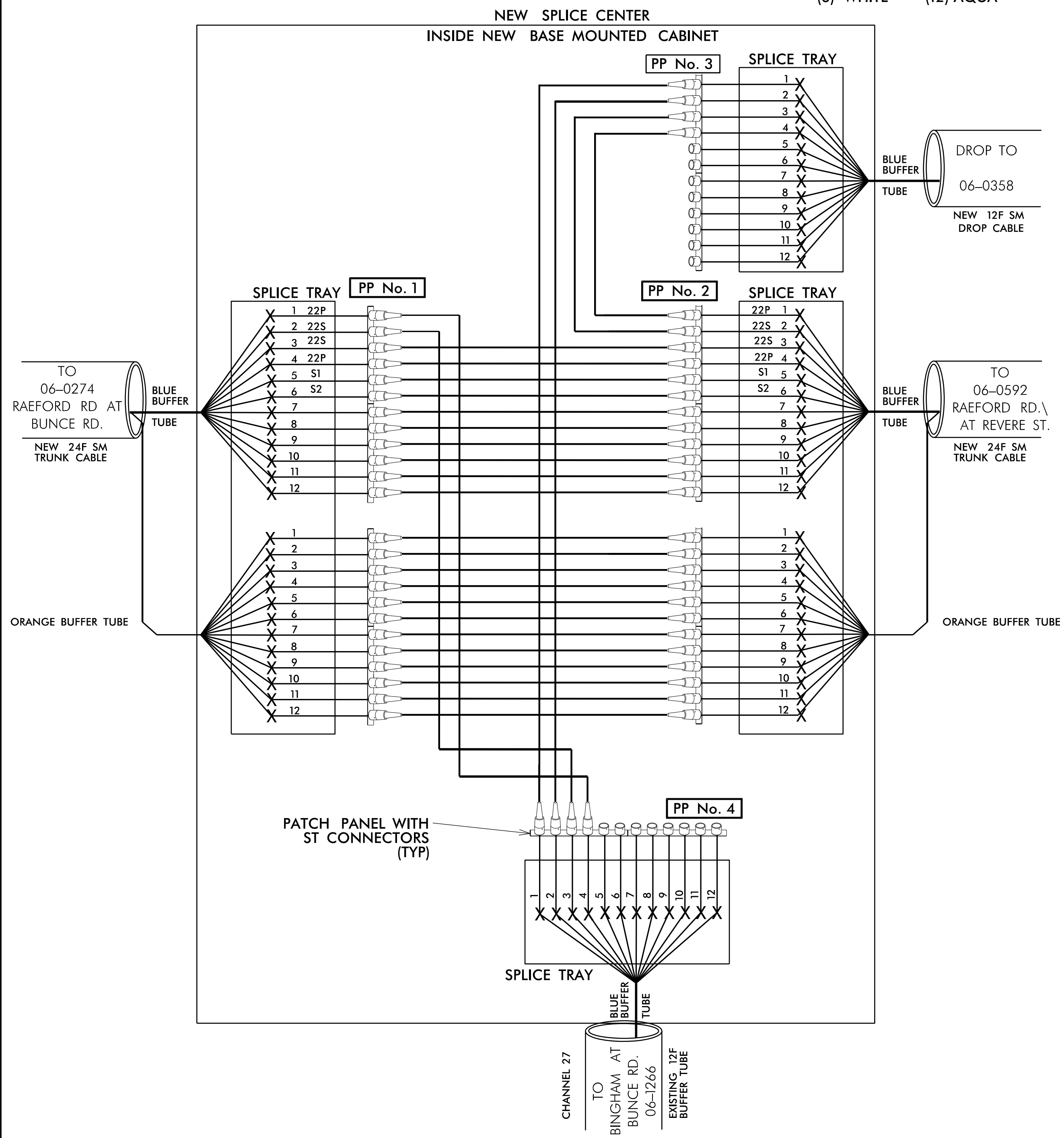


CHANNEL 22
INTERSECTION 06-0358
US 401 (Raeford Road)
at
SR 1411 (Bingham Drive)
NEW SPlice CABINET
No.1

LEGEND
 X = FUSION SPICE
 SM FIBER PATCH CORD WITH CONNECTORS
 PP No. X NEW SM FIBER PATCH PANEL

COLOR CODE
 TIA/EIA 598-A

(1) BLUE	(7) RED
(2) ORANGE	(8) BLACK
(3) GREEN	(9) YELLOW
(4) BROWN	(10) VIOLET
(5) SLATE	(11) ROSE
(6) WHITE	(12) AQUA

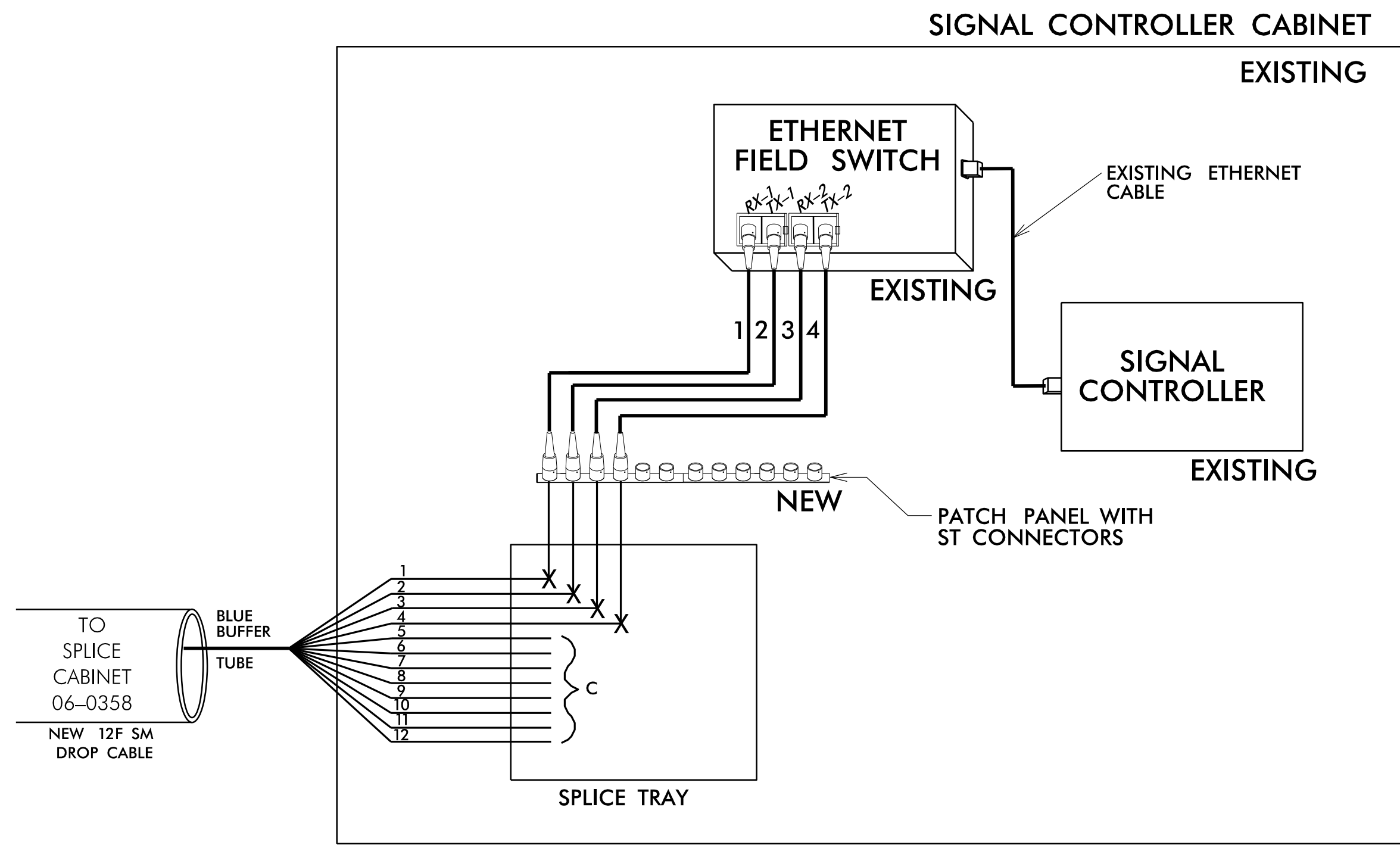


INTERSECTION 06-0358
US 401 (Raeford Road)
at
SR 1411 (Bingham Drive)
EXISTING CONTROLLER SIGNAL CABINET

LEGEND
 X = FUSION SPICE
 C = CAP IN TRAY
 SM FIBER PATCH CORD WITH CONNECTORS

COLOR CODE
 TIA/EIA 598-A

(1) BLUE
(2) ORANGE
(3) GREEN
(4) BROWN
(5) SLATE
(6) WHITE
(7) RED
(8) BLACK
(9) YELLOW
(10) VIOLET
(11) ROSE
(12) AQUA

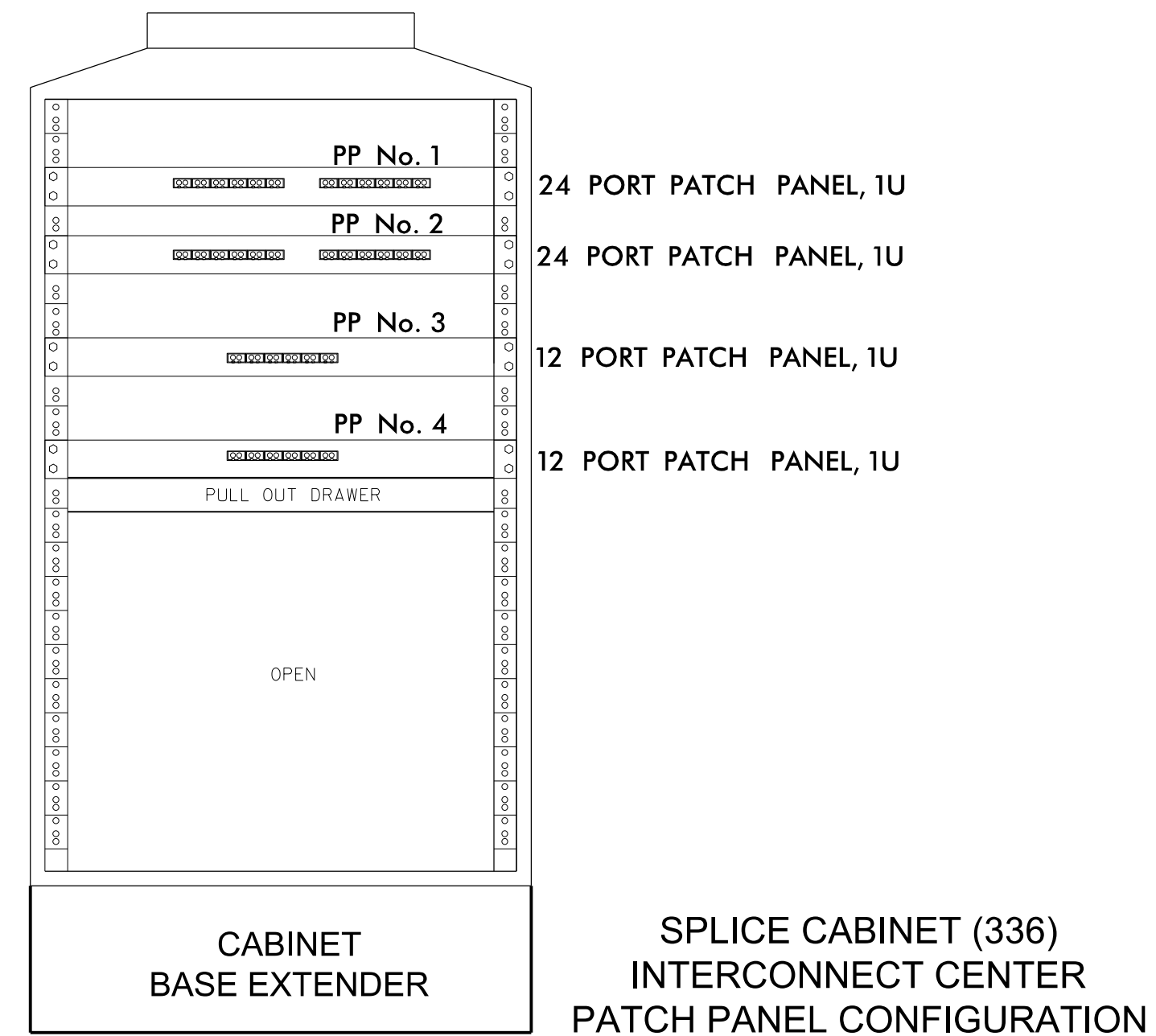


- 1.) FIVE (5) DAYS PRIOR TO BEGINNING WORK ON THE SIGNAL SYSTEM, CONTACT THE CITY OF FAYETTEVILLE'S, SIGNAL SYSTEMS MANAGEMENT ENGINEER, CARL MCCARTNEY AT (910) 433-1660 TO ARRANGE FOR THE DIVISION TO PROGRAM THE NEW FIELD ETHERNET SWITCHES WITH THE NECESSARY NETWORK CONFIGURATION DATA, INCLUDING BUT NOT LIMITED TO THE FOLLOWING:
 - 1.) THE PROJECT IP ADDRESS, DEFAULT GATEWAY, SUBNET MASK AND VLAN ID INFORMATION.
 - 2.) NOTIFY THE DEPUTY TRAFFIC ENGINEER AFTER ALL WORK IS PERFORMED TO ENSURE THAT ALL FIBER CIRCUITS ARE FUNCTIONING PROPERLY.
 - 3.) WORK IS NOT COMPLETE UNTIL THE SYSTEM IS OPERATIONAL.
- 2.) INCLUDE ON THE COVER OF EACH SPLICE TRAY THE FOLLOWING:

REFERENCE SECTION 1731 "FIBER OPTIC SPLICE ENCLOSURE"

 - 1.) SPLICE LOCATION
 - 2.) DATE
 - 3.) COMPANY NAME
 - 4.) NAME OF INDIVIDUAL PERFORMING THE SPLICING

PRIOR TO INSTALLING THE COVER ON THE SPLICE TRAY TAKE A DIGITAL PHOTOGRAPH SHOWING THE SPLICE TRAY AND INFORMATION SHOWN ABOVE (1-4) AND SUBMIT PHOTOGRAPH ALONG WITH OTDR TEST RESULTS.
- 3.) UNUSED FIBER SHALL BE LEFT COILED AND STORED IN THE SPLICE TRAY.
- 4.) UNUSED BUFFER TUBES SHALL BE LEFT COILED AND STORED IN THE SPLICE TRAY.
- 5.) ETHERNET SWITCH TERMINATION CONFIGURATIONS ARE GENERIC. CONTRACTOR IS RESPONSIBLE FOR DETERMINING AND ENSURING PROPER TERMINATIONS.



FINAL US 401 (Raeford Road) at SR 1141 (Bingham Drive)

<p>Stantec Consulting Services Inc. 801 Jones Franklin Road Suite 300 Raleigh, NC 27606 Tel. (919) 851-6866 Fax. (919) 851-7024 www.stantec.com License No. F-0672</p>	<p>Prepared for the Offices of:</p> <p>750 N. Greenfield Pkwy., Garner, NC 27529</p>	<p>FIBER CABLE SPLICING DETAILS INTERSECTION 06-0358</p>		<p>SEAL</p> <p>Lawrence E. Overman 3/29/2018</p>
		<p>DIVISION 06 CUMBERLAND CO. FAYETTEVILLE</p> <p>PLAN DATE: MARCH 2018 REVIEWED BY: D. HARRIS</p> <p>PREPARED BY: J. INGRAM REVIEWED BY: B. WATSON</p>	<p>SCALE</p> <p>N/A</p>	

3/27/2018 U:\171001766*Transportation\Information\Signal\Des\gn*ITS U-4405*U-4405*Fiber Splicing SCP-20 - SCP-42.dgn j.ingram