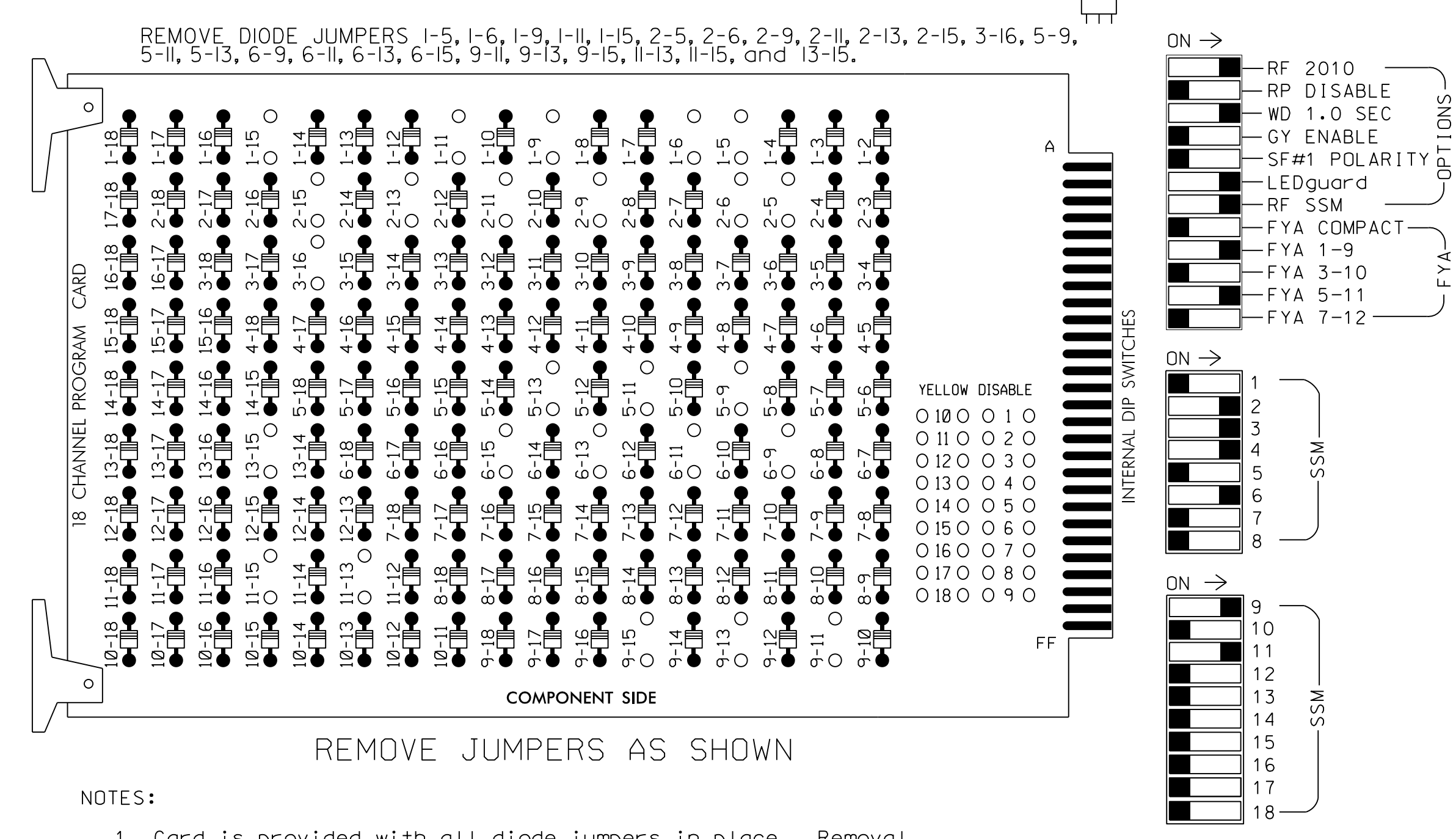


EDI MODEL 2018ECLip-NC CONFLICT MONITOR PROGRAMMING DETAIL

(remove jumpers and set switches as shown)



NOTES:

- Card is provided with all diode jumpers in place. Removal of any jumper allows its channels to run concurrently.
- Ensure jumpers SEL2-SEL5 and SEL9 are present on the monitor board.
- Ensure that Red Enable is active at all times during normal operation.
- Integrate monitor with Ethernet network in cabinet.

NOTES

- To prevent "flash-conflict" problems, insert red flash program blocks for all unused vehicle load switches in the output file. The installer shall verify that signal heads flash in accordance with the Signal Plans.
- Program controller for start up in Phase 2 WALK and Phase 6 WALK.
- The cabinet and controller are part of the Fayetteville Signal System.

EQUIPMENT INFORMATION

CONTROLLER.....2070
 CABINET.....332 W/AUX
 SOFTWARE.....ECONOLITE ASC/3-2070
 CABINET MOUNT.....BASE
 OUTPUT FILE POSITIONS...18 WITH AUX. OUTPUT FILE
 LOAD SWITCHES USED.....S1,S2,S3,S4,S5,S7,S8,
 S9,S12,AUX S1,AUX S4
 PHASES USED.....1,2,2PED,3,4,5,6,
 6PED,3PED
 OVERLAP A.....*
 OVERLAP B.....NOT USED
 OVERLAP C.....*
 OVERLAP D.....NOT USED
 * See Overlap Programming Detail on Sheet 2

SIGNAL HEAD HOOK-UP CHART

LOAD SWITCH NO.	S1	S2	S3	S4	S5	S6	S7	S8	S9	S10	S11	S12	AUX S1	AUX S2	AUX S3	AUX S4	AUX S5	AUX S6	
CMU CHANNEL NO.	1	2	13	3	4	14	5	6	15	7	8	16	9	10	17	11	12	18	
PHASE	1	2	2 PED	3	4	4 PED	5	6	6 PED	7	8	3 PED	OLA	OLB	OLE	OLC	OLD	OLF	
SIGNAL HEAD NO.	11★	42	21,22	P21, P22	31	32	41	42	NU	51★	61,62,63	P61, P62	NU	NU	P31, P32	11★	NU	51★	NU
RED	*	128		116	116	101	101					134							
YELLOW		129		117	117	102	102		*	135									
GREEN		130		118	118	103	103					136							
RED ARROW													A121					A114	
YELLOW ARROW		126											A122					A115	
FLASHING YELLOW ARROW													A123					A116	
GREEN ARROW	127	127			118		103					133							
Hand													113						119
Walking																			110
																			112

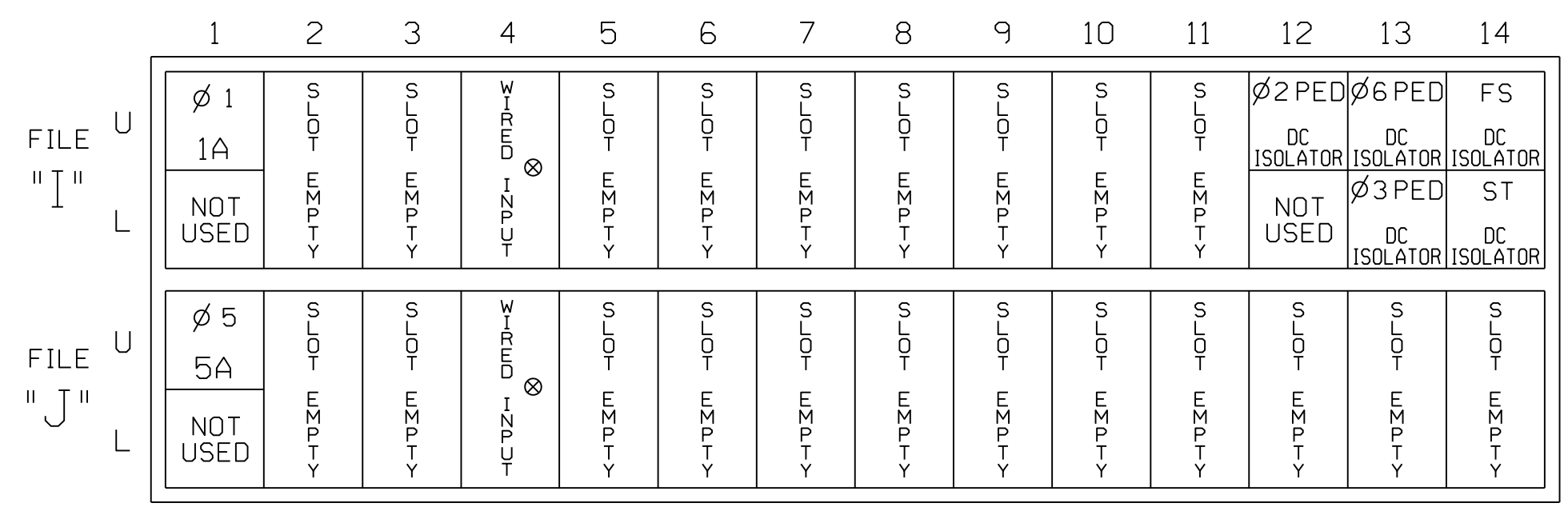
NU = Not Used

* Denotes install load resistor. See load resistor installation detail this sheet.
 ★ See pictorial of head wiring in detail below.

COUNTDOWN PEDESTRIAN SIGNAL OPERATION

Countdown Ped Signals are required to display timing only during Ped Clearance Interval. Consult Ped Signal Module user's manual for instructions on selecting this feature.

INPUT FILE POSITION LAYOUT (front view)



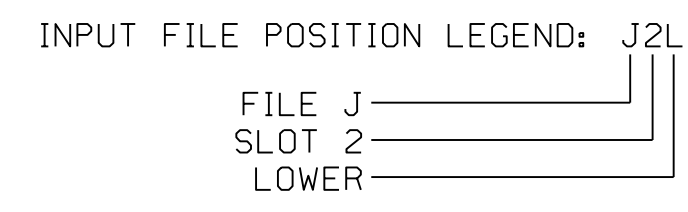
EX.: 1A, 2A, ETC. = LOOP NO.'S
 FS = FLASH SENSE
 ST = STOP TIME
 ⊗ Wired Input - Do not populate slot with detector card

INPUT FILE CONNECTION & PROGRAMMING CHART

LOOP NO.	LOOP TERMINAL	INPUT FILE POS.	PIN NO.	DETECTOR NO.	NEMA PHASE	CALL	EXTEND TIME	DELAY TIME	ADDED INITIAL	DETECTOR TYPE
1A ¹	-	I1U	56	1★	1	YES		15		S
5A ²	-	J4U	48	26★	6	YES				S
	-	J1U	55	5★	5	YES		15		S
	-	I4U	47	22★	2	YES				S
PED PUSH BUTTONS										
P21,P22	T88-4,6	I12U	67	PED 2	2 PED					
P31,P32	T88-8,9	I13L	70	PED 8	3 PED					
P61,P62	T88-7,9	I13U	68	PED 6	6 PED					

NOTE:
 INSTALL DC ISOLATORS IN INPUT FILE SLOTS 112 AND 113.

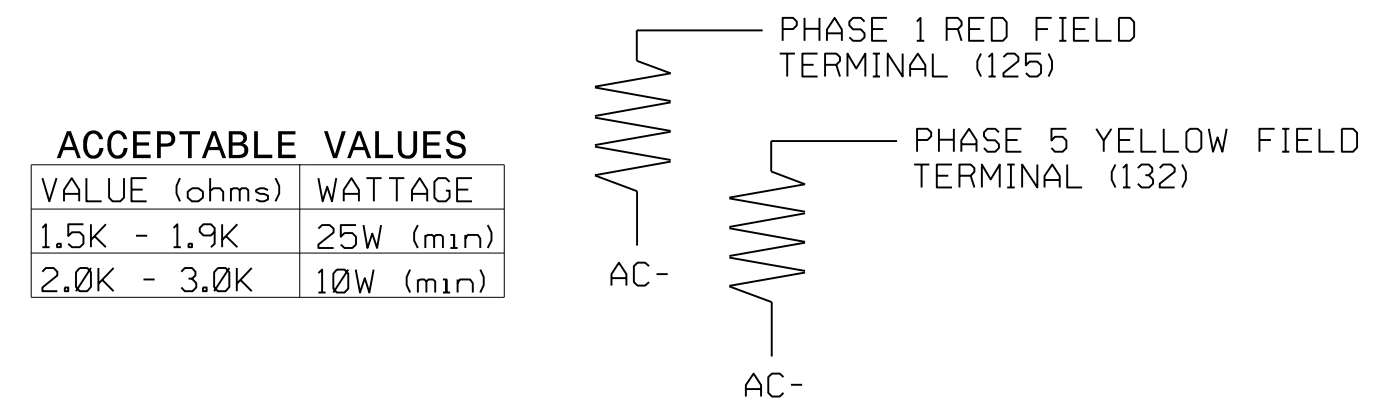
- Add jumper from I1-W to J4-W, on rear of input file.
 - Add jumper from J1-W to I4-W, on rear of input file.
- ★ See Vehicle Detector Setup Programming Detail for alternate phasing on Sheet 3.



DETECTOR NOTES

- For all loops install a video detection system for vehicle detection. Perform installation according to manufacturer's directions and NCDOT engineer-approved mounting locations to accomplish the detection schemes shown on the Signal Design Plans.
- For loops 1A and 5A detector card placements and slots reserved for wired inputs are typical for a NCDOT installation. Inputs associated with these slots are compatible with time of day instructions located on sheets 2 and 3 of this electrical detail.

LOAD RESISTOR INSTALLATION DETAIL (install resistors as shown)



Temporary Design 1 - TMP Phase I Electrical Detail - Sheet 1 of 3

Stantec Consulting Services Inc.
 801 Jones Franklin Road-Suite 300
 Raleigh, NC 27606
 Tel. (919) 851-6866
 Fax. (919) 851-7024
 www.stantec.com
 License No. F-0672

Prepared in the Offices of:

750 N. Greenfield Pkwy, Garner, NC 27529

US 401 Business (Raeford Road) at Purdue Drive/SteinMart Driveway

Division 6 Cumberland County Fayetteville

PLAN DATE: March 2018 REVIEWED BY: L Overn

PREPARED BY: G B Spell REVIEWED BY:

REVISIONS	INIT.	DATE

3/29/2018

DOCUMENT NOT CONSIDERED FINAL UNLESS ALL SIGNATURES COMPLETED

THIS ELECTRICAL DETAIL IS FOR THE SIGNAL DESIGN: 06-0224T1
 DESIGNED: March 2018
 SEALED: 03-29-2018
 REVISED: N/A