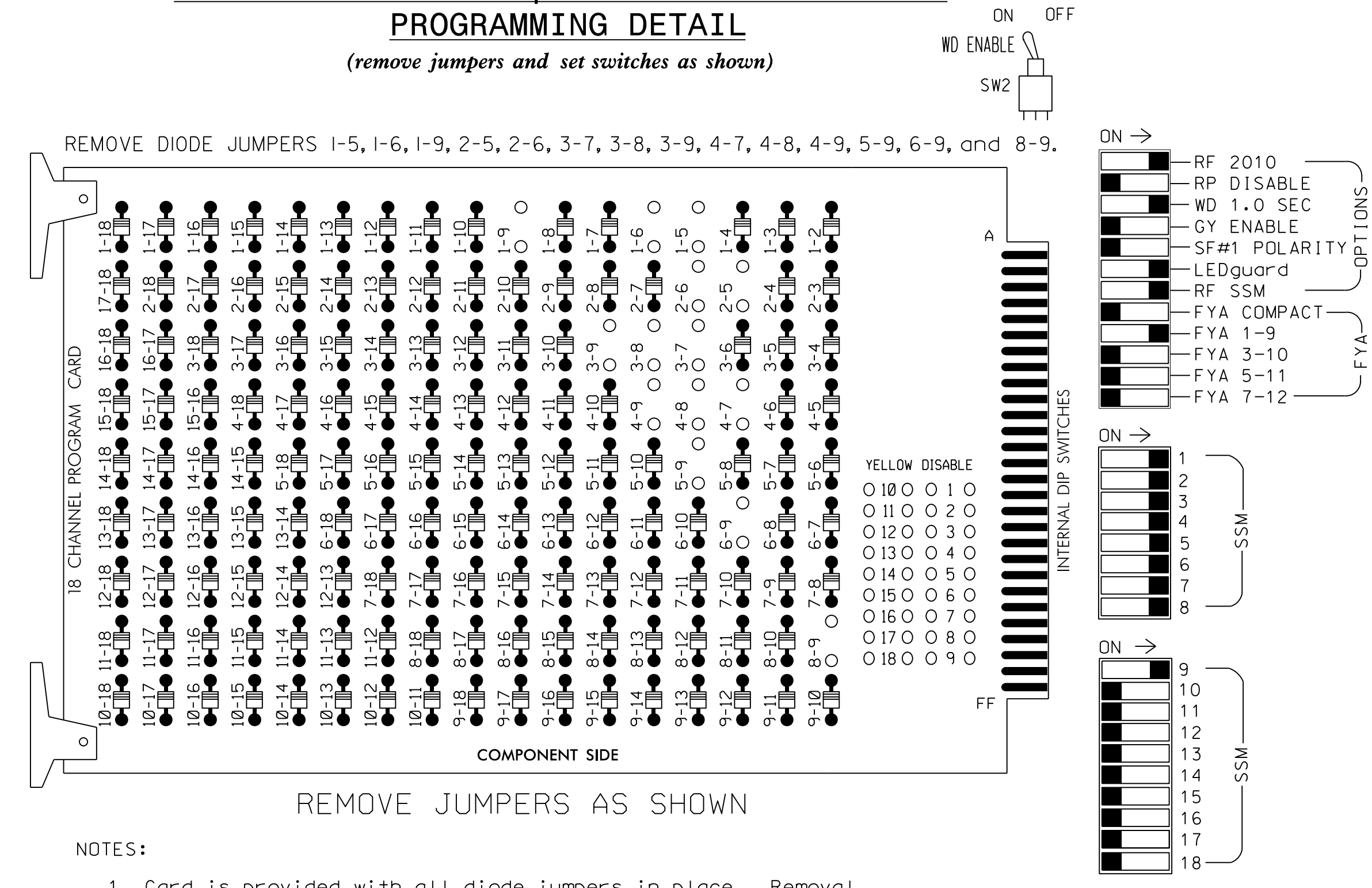


EDI MODEL 2018ECLip-NC CONFLICT MONITOR PROGRAMMING DETAIL

(remove jumpers and set switches as shown)



- NOTES:
- Card is provided with all diode jumpers in place. Removal of any jumper allows its channels to run concurrently.
 - Ensure jumpers SEL2-SEL5 and SEL9 are present on the monitor board.
 - Ensure that Red Enable is active at all times during normal operation.
 - Integrate monitor with Ethernet network in cabinet.

NOTES

- To prevent "flash-conflict" problems, insert red flash program blocks for all unused vehicle load switches in the output file. The installer shall verify that signal heads flash in accordance with the Signal Plans.
- Program controller to start up in phase 2 and 6 Green.
- The cabinet and controller are part of the Fayetteville Signal System.

EQUIPMENT INFORMATION

CONTROLLER.....Contractor Supplied
ECONOLITE 2070LX
CABINET.....332 W/AUX
SOFTWARE.....ECONOLITE ASC/3-2070
CABINET MOUNT.....BASE
OUTPUT FILE POSITIONS...18 WITH AUX. OUTPUT FILE
LOAD SWITCHES USED.....S1,S2,S4,S5,S7,S8,S10,
S11,AUX S1

PHASES USED.....1,2,3,4,5,6,7,8
OVERLAP A.....*
OVERLAP B.....NOT USED
OVERLAP C.....NOT USED
OVERLAP D.....NOT USED
OVERLAP G.....*

* See Overlap Programming Detail on Sheet 2

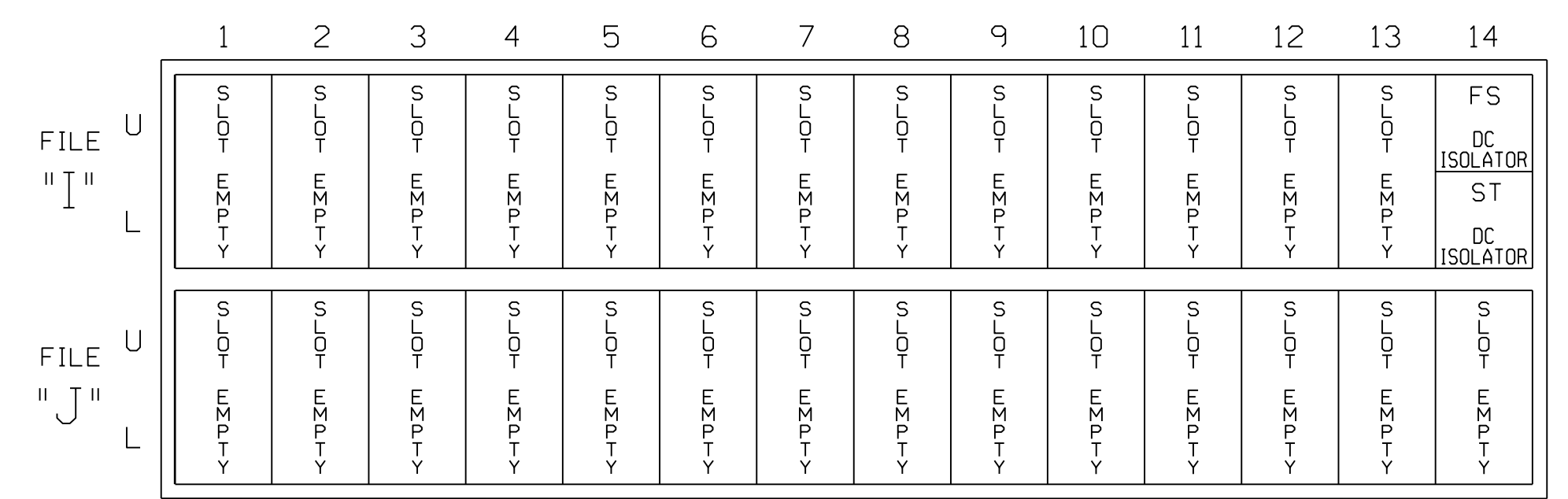
SIGNAL HEAD HOOK-UP CHART

LOAD SWITCH NO.	S1	S2	S3	S4	S5	S6	S7	S8	S9	S10	S11	S12	AUX S1	AUX S2	AUX S3	AUX S4	AUX S5	AUX S6
CMU CHANNEL NO.	1	2	13	3	4	14	5	6	15	7	8	16	9	10	17	11	12	18
PHASE	1	2	2 PED	3	4	4 PED	5	6	6 PED	7	8	8 PED	OLA	OLB	SPARE	OLC	OLD	SPARE
SIGNAL HEAD NO.	11,12	83,84	21,22, 23,24	31	23	41,42, 43	51	42	61,62, 63	71,72	62	81,82, 85	83,84	NU	NU	NU	NU	NU
RED			128			101			134			107		A121				
YELLOW			129			102			135			108						
GREEN			130			103			136			109						
RED ARROW	125			116			131			122								
YELLOW ARROW	126			117	117		132	132		123	123			A122				
FLASHING YELLOW ARROW														A123				
GREEN ARROW	127	127		118	118		133	133		124	124							

NU = Not Used
★ See pictorial of head wiring in detail this sheet.

INPUT FILE POSITION LAYOUT

(front view)

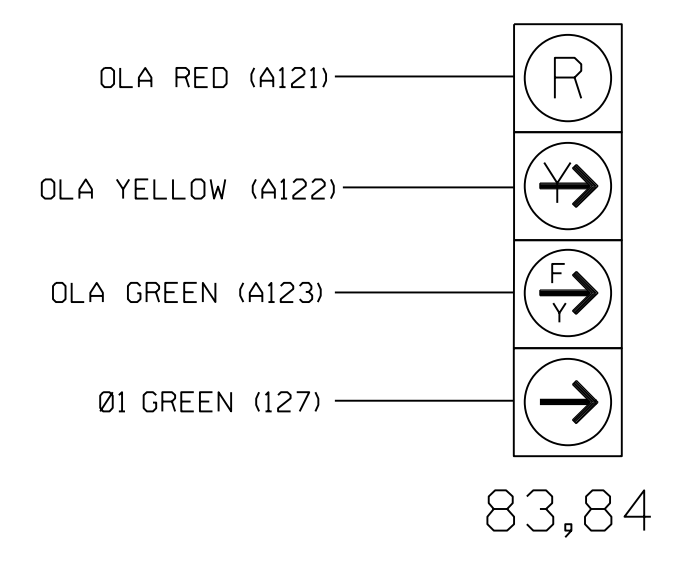


SPECIAL DETECTOR NOTE

Install a video detection system for vehicle detection. Perform installation according to manufacturer's directions and NCDOT engineer-approved mounting locations to accomplish the detection schemes shown on the Signal Design Plans.

FYA SIGNAL WIRING DETAIL

(wire signal heads as shown)



THIS ELECTRICAL DETAIL IS FOR THE SIGNAL DESIGN: 06-0274T2
DESIGNED: March 2018
SEALED: 03-29-2018
REVISED: N/A

Temporary Design 2 - TMP Phase II
Electrical Detail - Sheet 1 of 2

DOCUMENT NOT CONSIDERED FINAL
UNLESS ALL SIGNATURES COMPLETED

<p>Stantec Consulting Services Inc. 801 Jones Franklin Road-Suite 300 Raleigh, NC 27606 Tel. (919) 851-6866 Fax. (919) 851-7024 www.stantec.com License No. F-0672</p>	<p>ELECTRICAL AND PROGRAMMING DETAILS FOR:</p> <p>Prepared in the Offices of:</p> <p>750 N. Greenfield Pkwy, Garner, NC 27529</p>	<p>US 401 (Raeford Road) at NC 162 (Bunce Road)/ SR 1411 (Bunce Road)</p> <p>Division 6 Cumberland County Fayetteville</p>		<p>SEAL</p> <p>3/29/2018</p>							
		<p>PLAN DATE: March 2018</p> <p>PREPARED BY: G B Spell</p>	<p>REVIEWED BY: L Overn</p> <p>REVIEWED BY:</p>		<p>REVISIONS</p> <table border="1"> <tr> <th>NO.</th> <th>DATE</th> <th>INIT.</th> <th>DATE</th> </tr> <tr> <td> </td> <td> </td> <td> </td> <td> </td> </tr> </table>	NO.	DATE	INIT.	DATE		
NO.	DATE	INIT.	DATE								