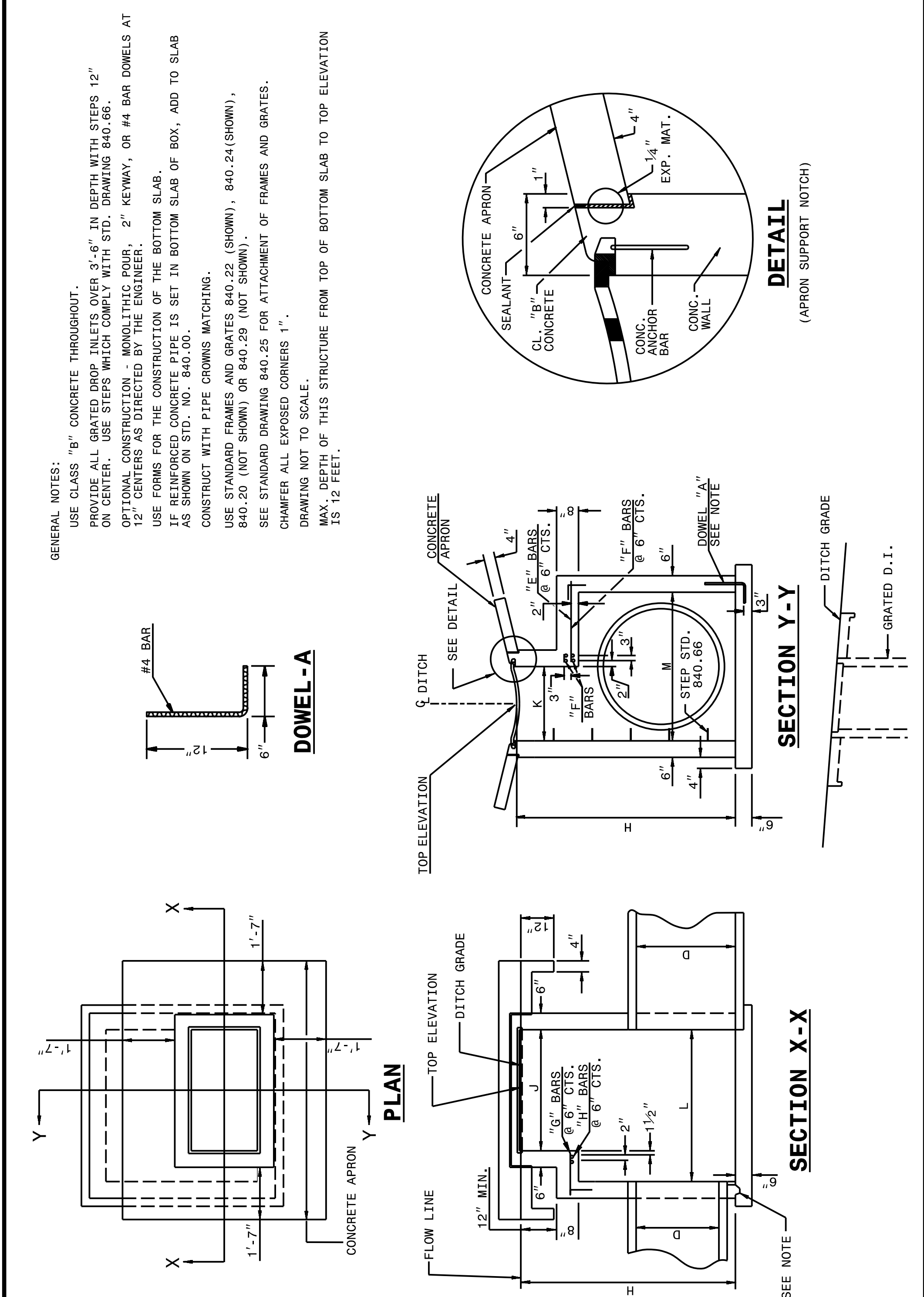


STATE OF NORTH CAROLINA DEPT. OF TRANSPORTATION DIVISION OF HIGHWAYS RALEIGH, N.C.

ENGLISH DETAIL DRAWING FOR CONCRETE GRATED DROP INLET TYPE 'A' MINIMUM DEPTH 12" THRU 72" PIPE

SHEET 1 OF 2 840d17



STATE OF NORTH CAROLINA DEPT. OF TRANSPORTATION DIVISION OF HIGHWAYS RALEIGH, N.C.

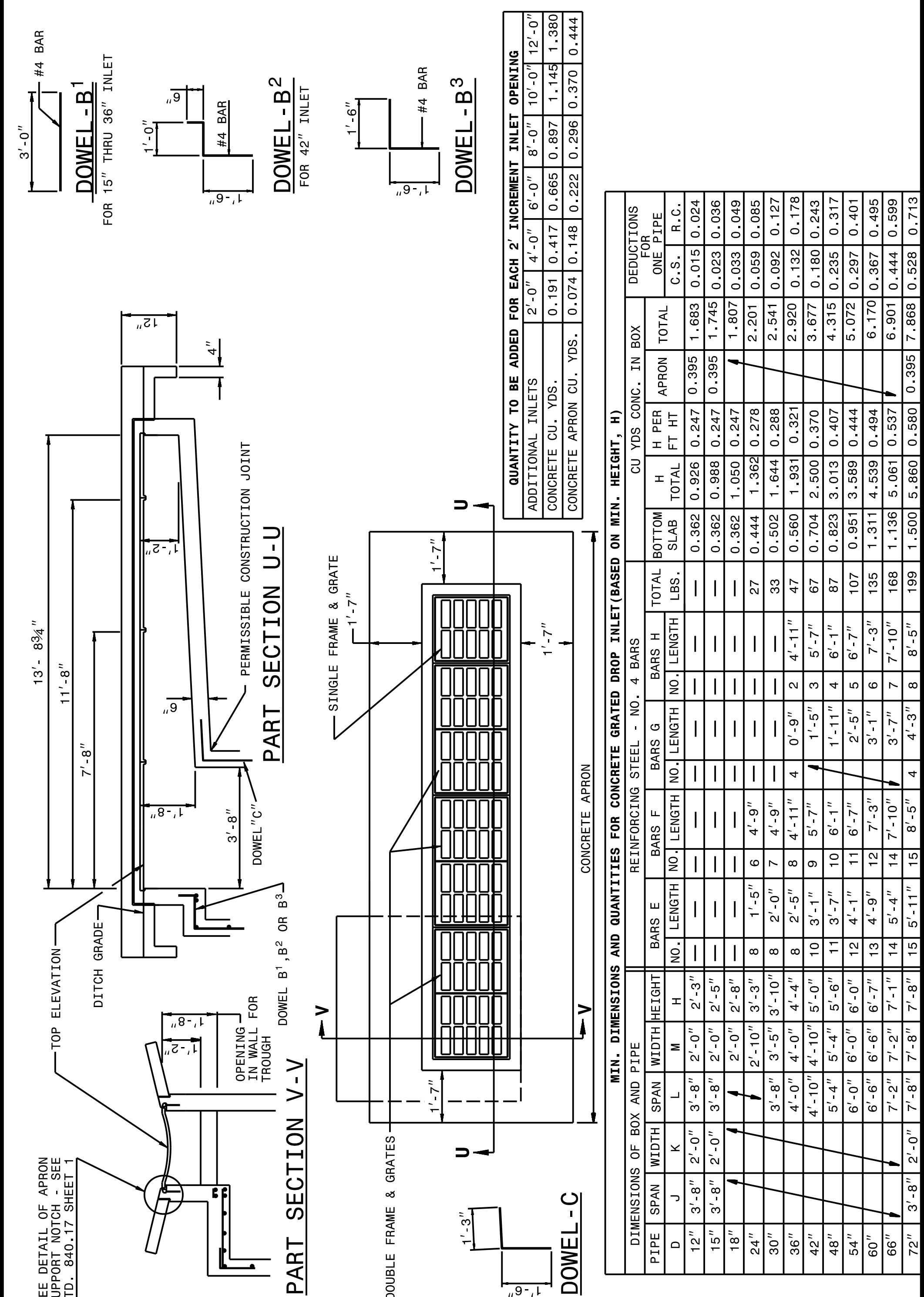
ENGLISH DETAIL DRAWING FOR CONCRETE GRATED DROP INLET TYPE 'A' MINIMUM DEPTH 12" THRU 72" PIPE

SHEET 1 OF 2 840d17

STATE OF NORTH CAROLINA DEPT. OF TRANSPORTATION DIVISION OF HIGHWAYS RALEIGH, N.C.

ENGLISH DETAIL DRAWING FOR CONCRETE GRATED DROP INLET TYPE 'A' MINIMUM DEPTH 12" THRU 72" PIPE

SHEET 2 OF 2 840d17



STATE OF NORTH CAROLINA DEPT. OF TRANSPORTATION DIVISION OF HIGHWAYS RALEIGH, N.C.

ENGLISH DETAIL DRAWING FOR CONCRETE GRATED DROP INLET TYPE 'A' MINIMUM DEPTH 12" THRU 72" PIPE

SHEET 2 OF 2 840d17

QUANTITY TO BE ADDED FOR EACH 2' INCREMENT INLET OPENING

ADDITIONAL INLETS	2'-0"	4'-0"	6'-0"	8'-0"	10'-0"	12'-0"
CONCRETE CU. YDS.	0.191	0.417	0.665	0.897	1.145	1.380
CONCRETE APRON CU. YDS.	0.074	0.148	0.222	0.296	0.370	0.444

MIN. DIMENSIONS AND QUANTITIES FOR CONCRETE GRATED DROP INLET (BASED ON MIN. HEIGHT, H)

PIPE DIMENSIONS	REINFORCING STEEL - NO. 4 BARS				CU YDS CONC. IN BOX		DEDUCTIONS							
	SPAN	WIDTH	HEIGHT	NO.	LENGTH	NO.	APRON	ONE PIPE	TOTAL					
D	J	K	L	M	H	H	H	C.S.	R.C.					
12"	3'-8"	2'-0"	2'-0"	2'-3"	—	—	—	0.362	0.926	0.247	0.395	1.683	0.015	0.024
15"	3'-8"	2'-0"	2'-0"	2'-5"	—	—	—	0.362	0.988	0.247	0.395	1.745	0.023	0.036
18"	3'-8"	2'-0"	2'-8"	—	—	—	—	0.362	1.050	0.247	0.444	1.807	0.033	0.049
24"	3'-8"	2'-10"	3'-3"	8	1'-5"	—	—	27	0.444	1.362	0.278	2.201	0.059	0.085
30"	3'-8"	3'-5"	3'-10"	8	2'-0"	7	4'-9"	33	0.502	1.644	0.288	2.541	0.082	0.127
36"	4'-0"	4'-0"	4'-4"	8	2'-5"	8	4'-11"	47	0.560	1.931	0.321	2.920	0.132	0.178
42"	4'-10"	4'-10"	5'-0"	10	3'-1"	9	5'-7"	67	0.704	2.500	0.370	3.677	0.180	0.243
48"	5'-4"	5'-4"	5'-6"	11	3'-7"	10	6'-1"	87	0.823	3.013	0.407	4.315	0.235	0.317
54"	6'-0"	6'-0"	6'-0"	12	4'-1"	11	6'-7"	107	0.951	3.589	0.444	5.072	0.287	0.401
60"	6'-6"	6'-6"	6'-7"	13	4'-9"	12	7'-3"	135	1.111	4.199	0.494	6.170	0.367	0.495
66"	7'-2"	7'-2"	7'-1"	14	5'-4"	14	7'-10"	168	1.136	5.061	0.537	6.901	0.444	0.599
72"	3'-8"	2'-0"	7'-8"	15	5'-11"	15	8'-5"	199	1.500	5.860	0.580	8.395	0.528	0.713

\$\$\$\$\$ TIME\$\$\$\$\$  
\$\$\$\$\$ DRAWING\$\$\$\$\$  
\$\$\$\$\$ USER NAME\$\$\$\$\$

DOCUMENT NOT CONSIDERED FINAL UNLESS ALL SIGNATURES COMPLETED

CONTRACT STANDARDS AND DEVELOPMENT UNIT  
Office 919-707-6950 FAX 919-250-4119

**SEE TITLE BLOCK**

ORIGINAL BY: J. Howerton DATE: 1/22/14  
MODIFIED BY: DATE: \_\_\_\_\_  
CHECKED BY: DATE: \_\_\_\_\_  
FILE SPEC.: jhowerton/minimum\_depth\_type\_A.dgn

