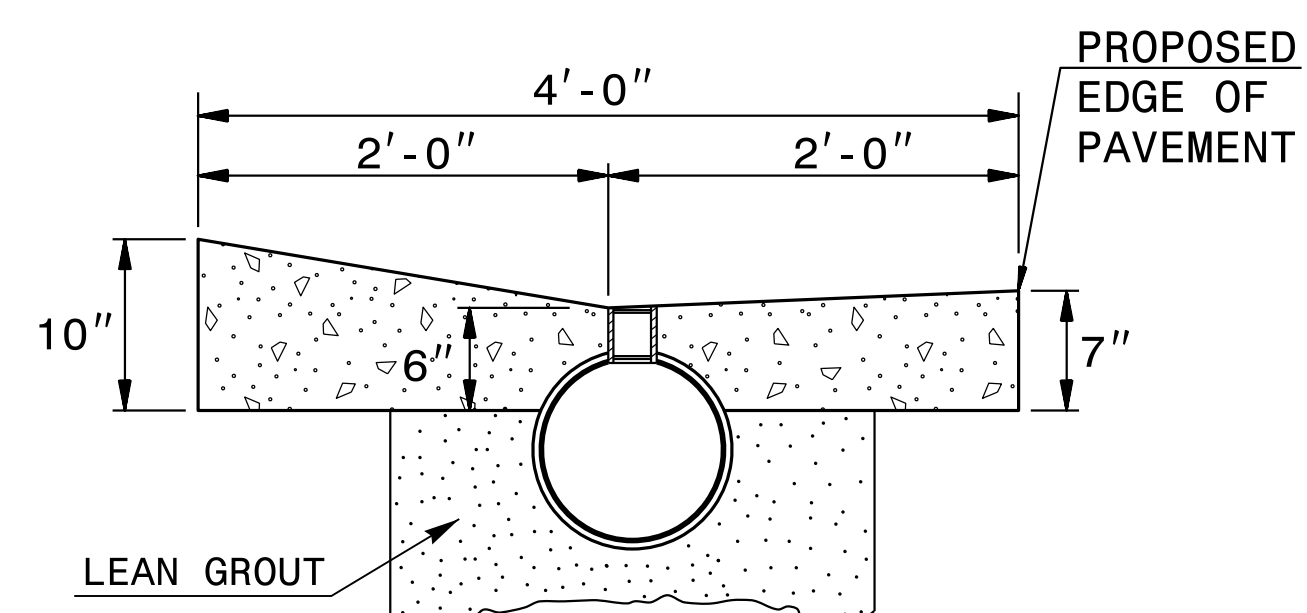
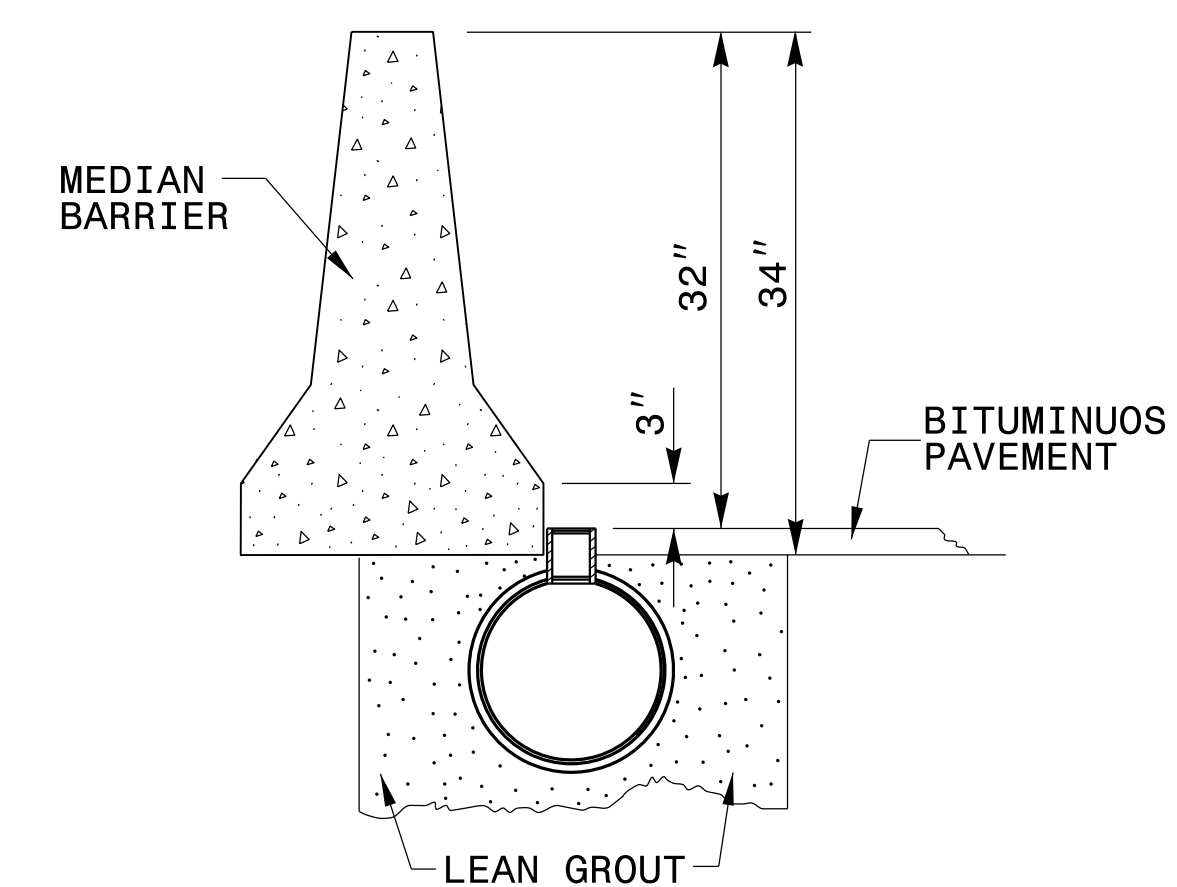


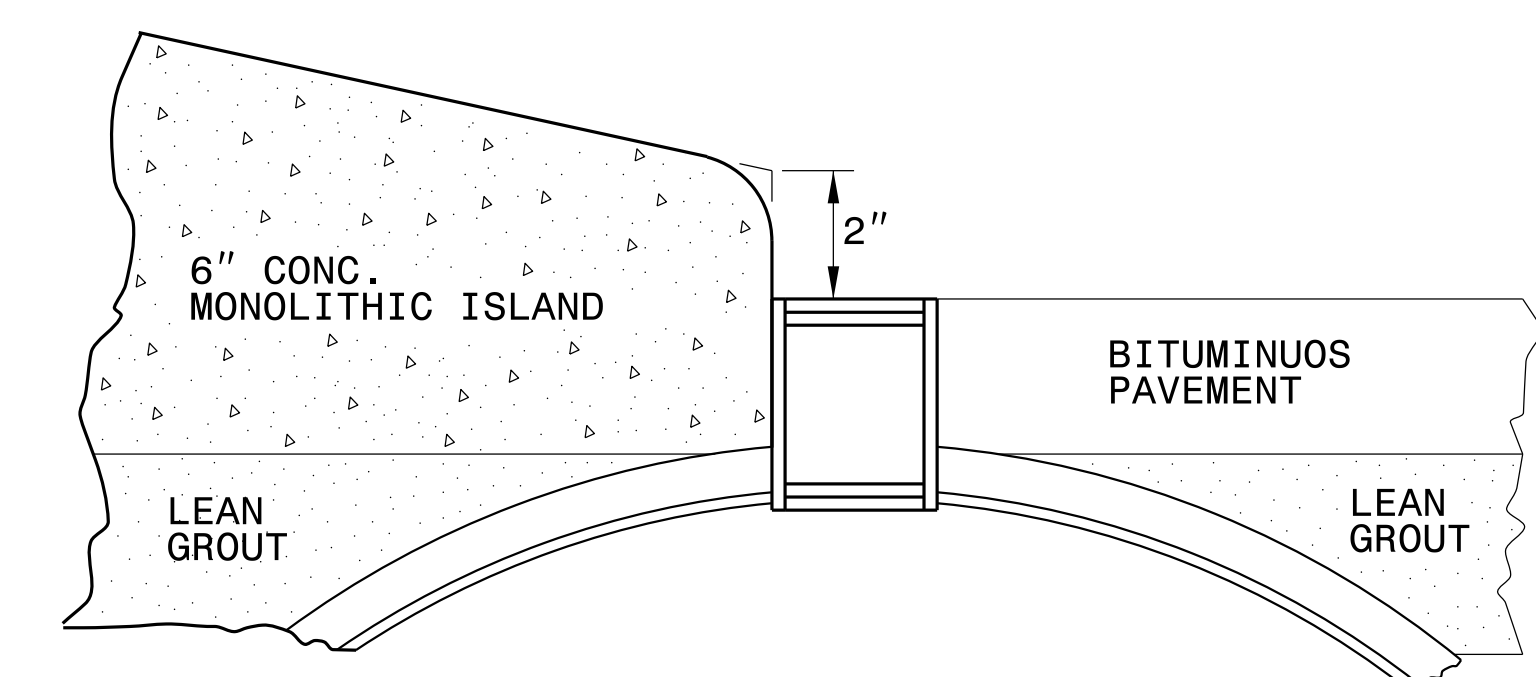
ALTERNATE NO. 1



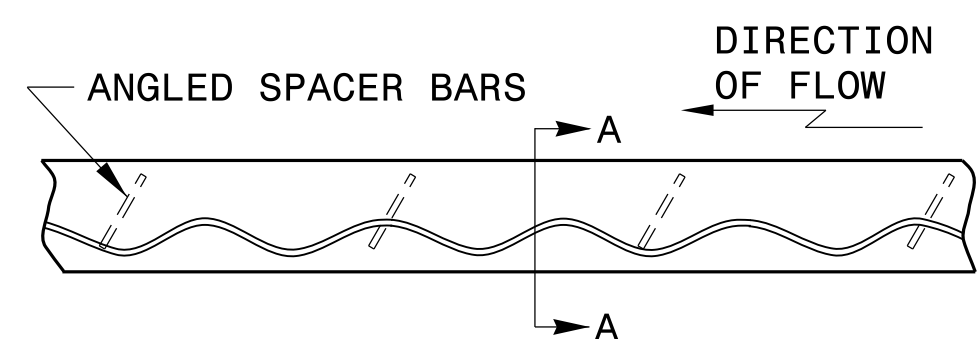
ALTERNATE NO. 2



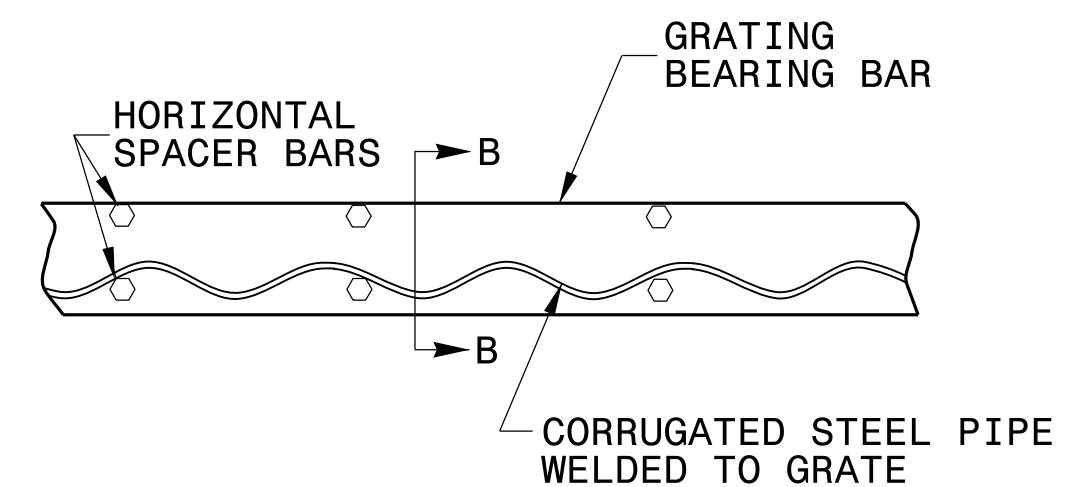
ALTERNATE NO. 3



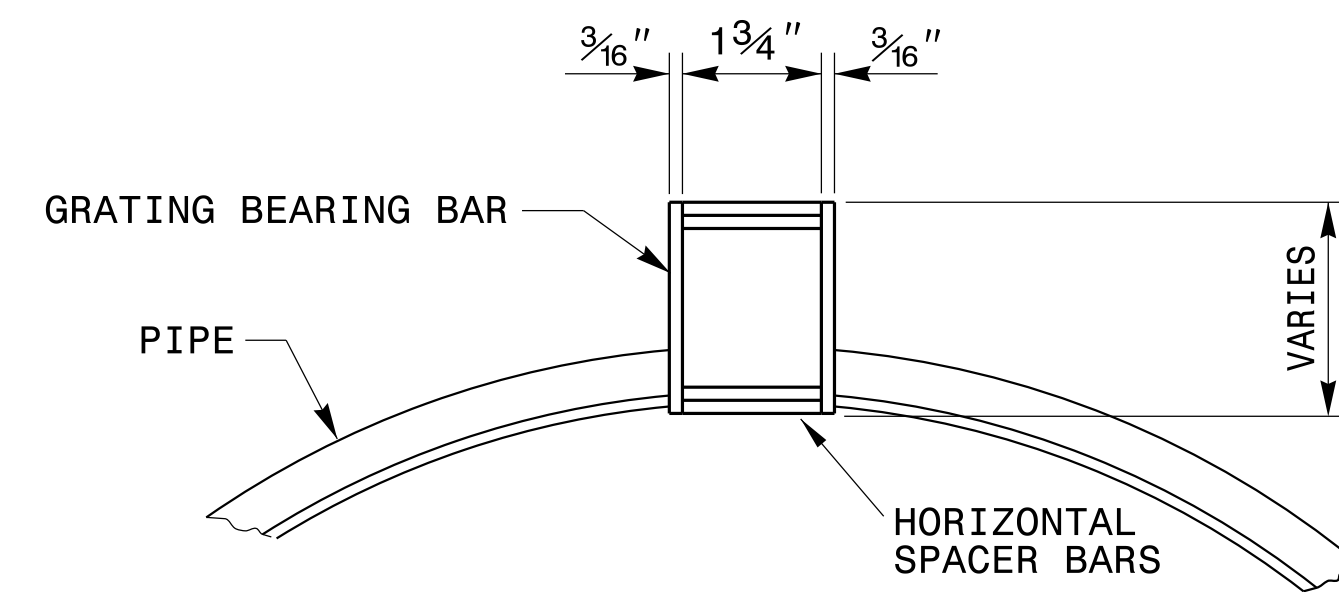
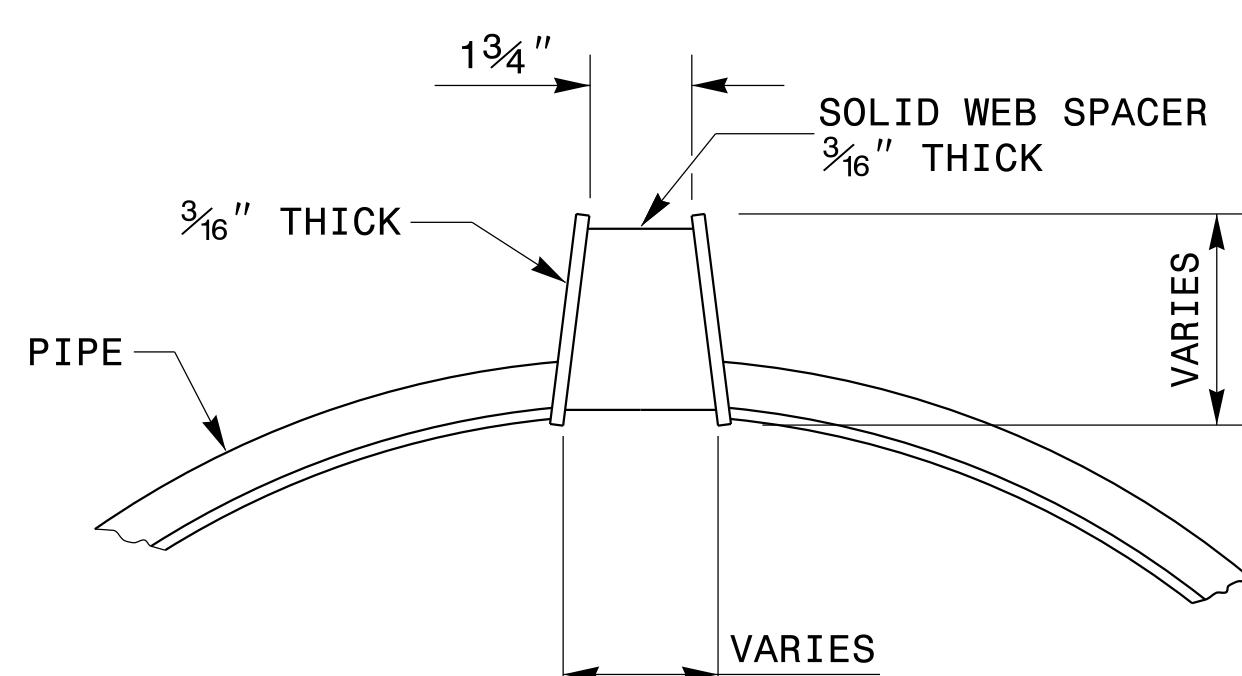
ALTERNATE NO. 4



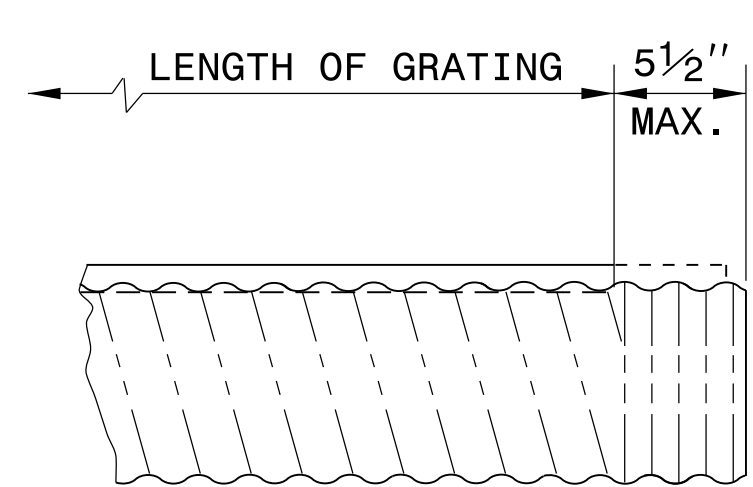
SECTION A-A



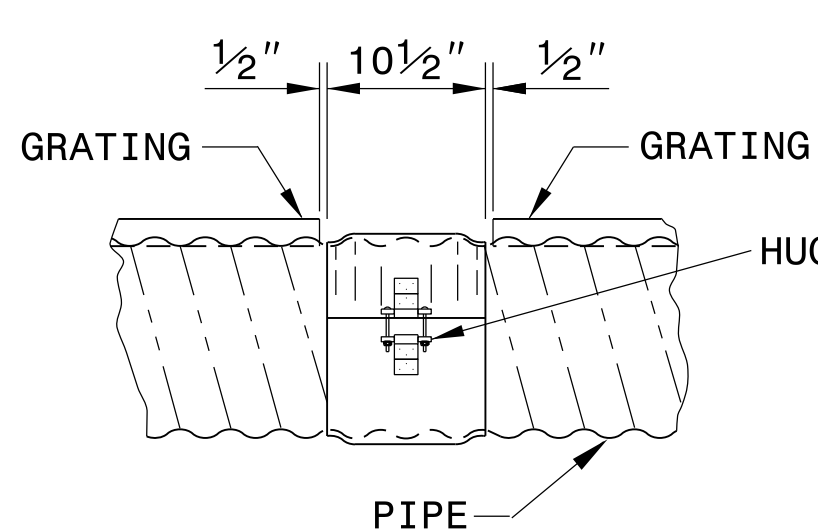
SECTION B-B



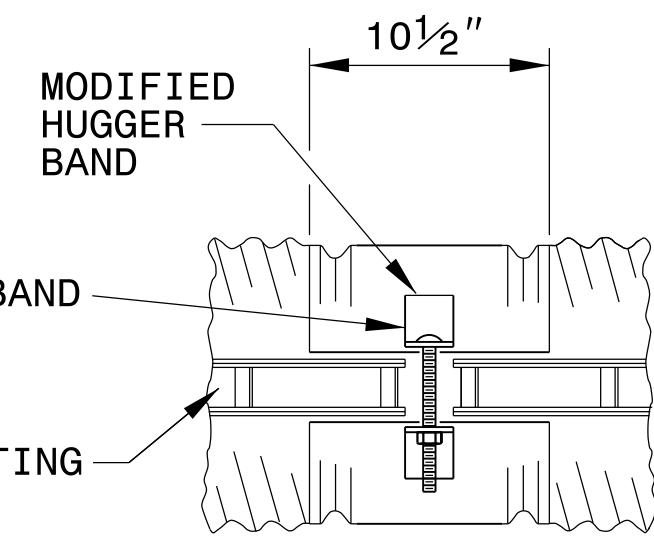
TYPICAL GRATE DETAILS



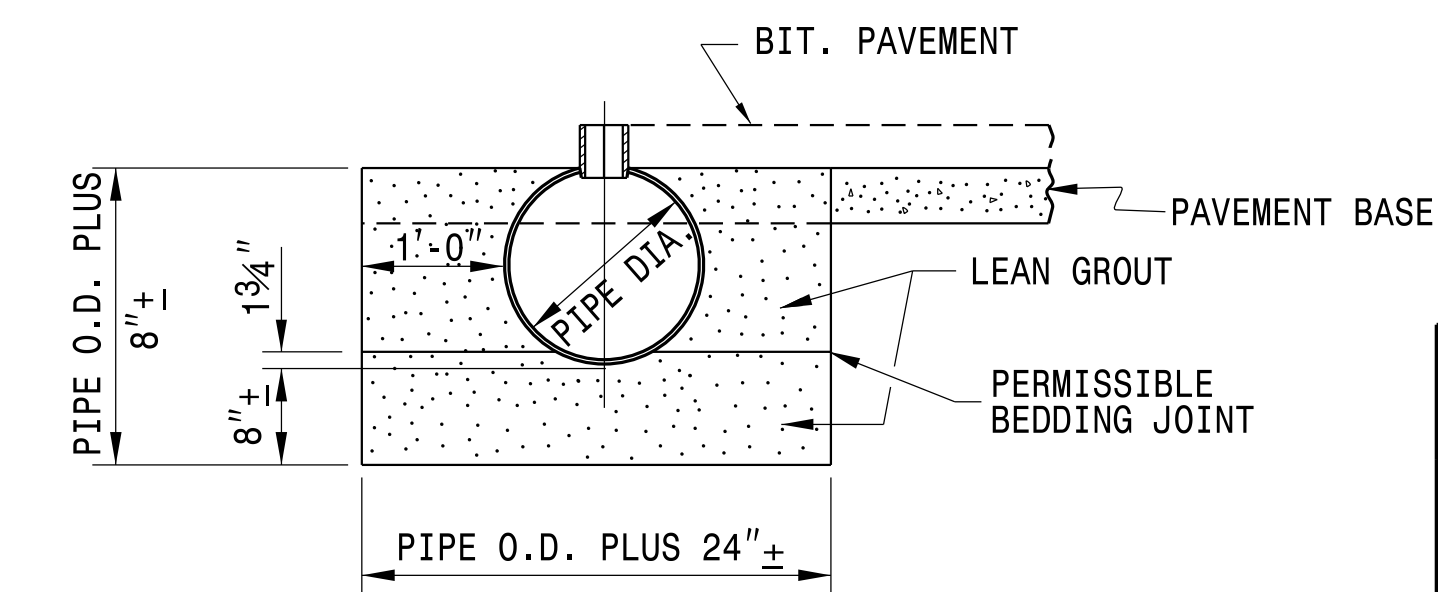
DETAIL AT END OF PIPE



TYPICAL COUPLING BAND



MODIFIED COUPLING BAND



SLOTTED DRAIN PIPE INSTALLATION

NOTES:

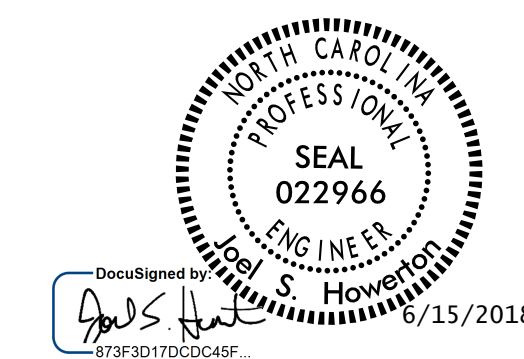
USE GRATE ASSEMBLIES FABRICATED FROM STRUCTURAL STEEL MEETING THE REQUIREMENTS OF ASTM A 570, GRADE 36 OR ASTM A 36.

HOT-DIP GALVANIZE GRATES AFTER FABRICATION TO MEET ASTM A123.

USE SLOTTED DRAIN PIPE THAT IS ADEQUATE FOR AASHTO H20 LOADING WHEN INSTALLED AS SHOWN.

USE SLOTTED DRAIN PIPE FABRICATED FROM ALUMINIZED CORRUGATED STEEL PIPE MEETING THE REQUIREMENTS OF AASHTO M274 TYPE 2.

NCDOT ALLOWS THE USE OF SIMILAR GRATE CONFIGURATIONS MEETING THE REQUIREMENTS OF THIS DETAIL, THE REQUIREMENTS OF THE SPECIAL PROVISIONS, AND THE APPROVAL OF THE ENGINEER.



DOCUMENT NOT CONSIDERED FINAL UNLESS ALL SIGNATURES COMPLETED

CONTRACT STANDARDS AND DEVELOPMENT UNIT
Office 919-707-6950 FAX 919-250-4119

DETAILS OF SLOTTED DRAIN 12" THRU 36" DIAMETER PIPE

ORIGINAL BY: T. Spell DATE: 5-21-99
MODIFIED BY: DATE: _____
CHECKED BY: DATE: _____
FILE SPEC.: s:\usr\details\stand\slottedrain.dgn

I:\OCT-2017\Bx4\Contract\Contract\Details\spell\details\stand\slottedrain.dgn
J:\work\ton AH CS0-212945