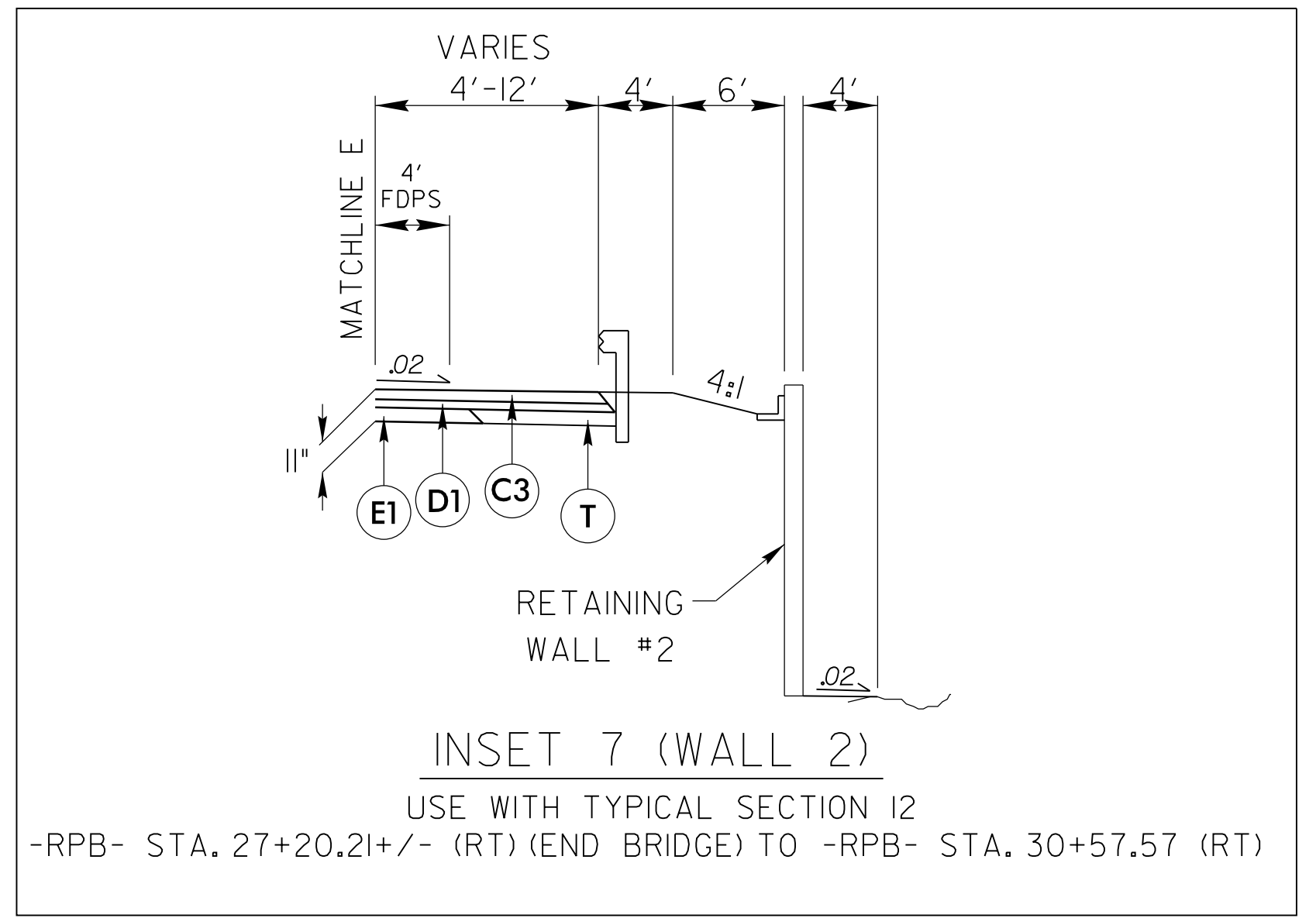
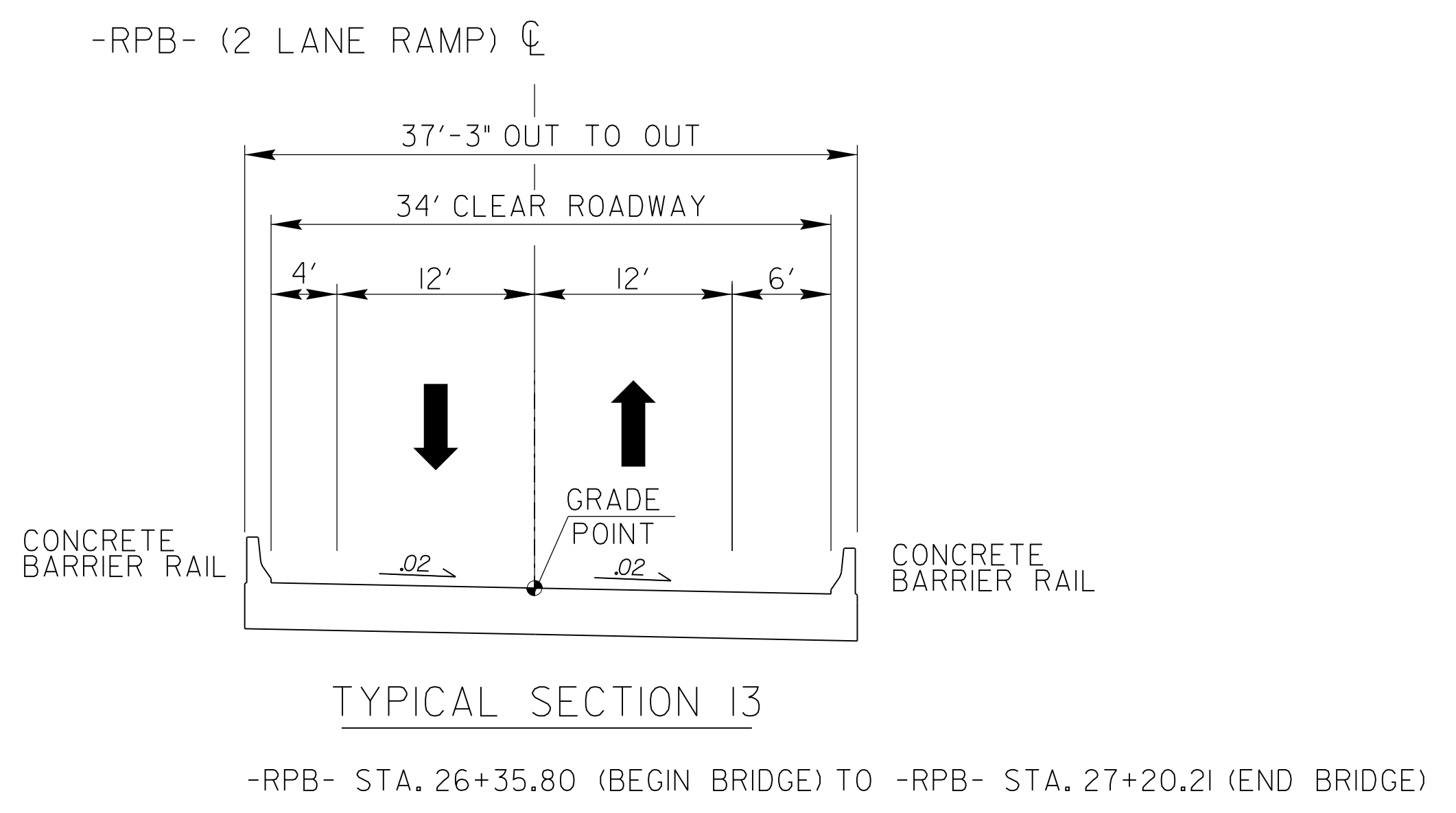
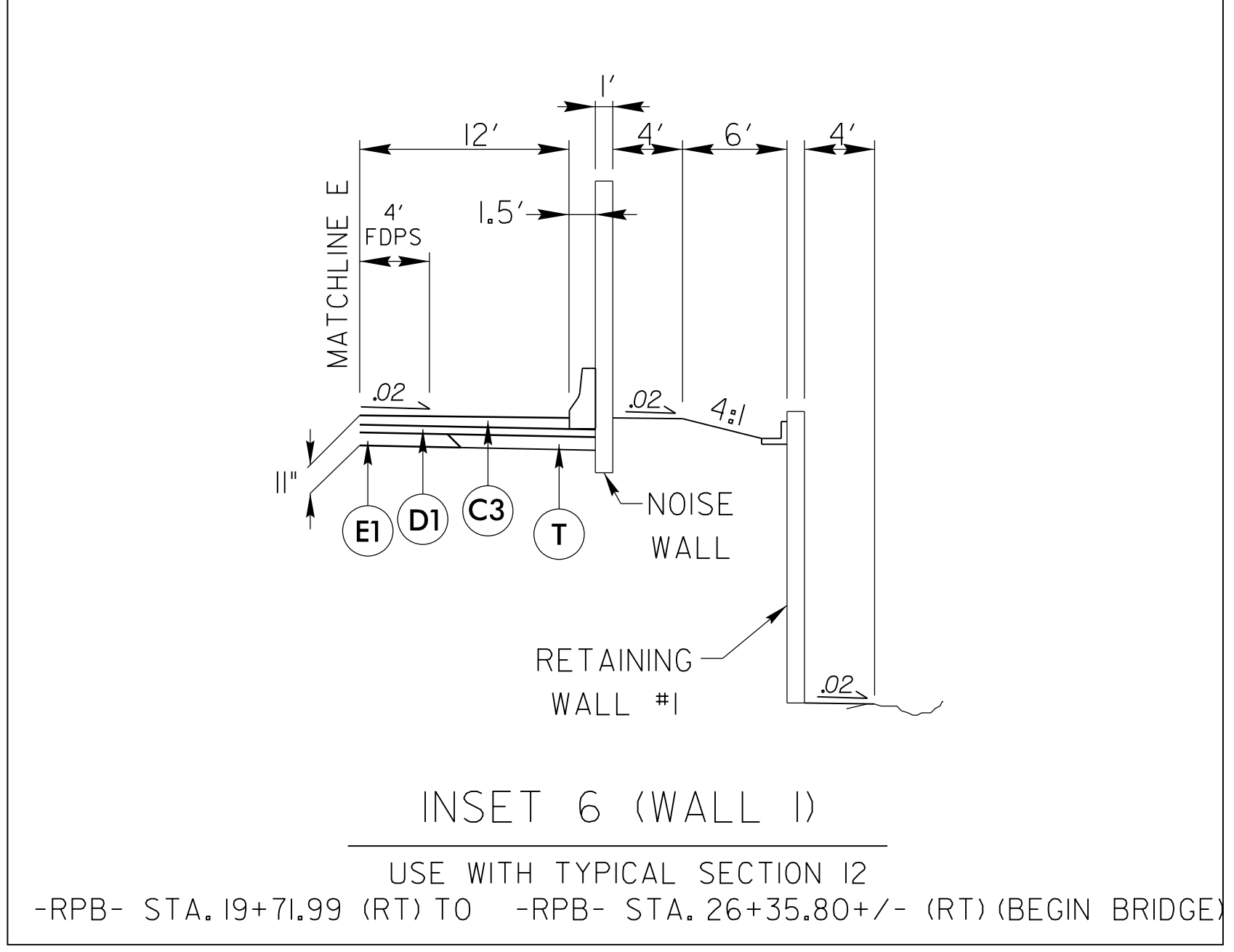
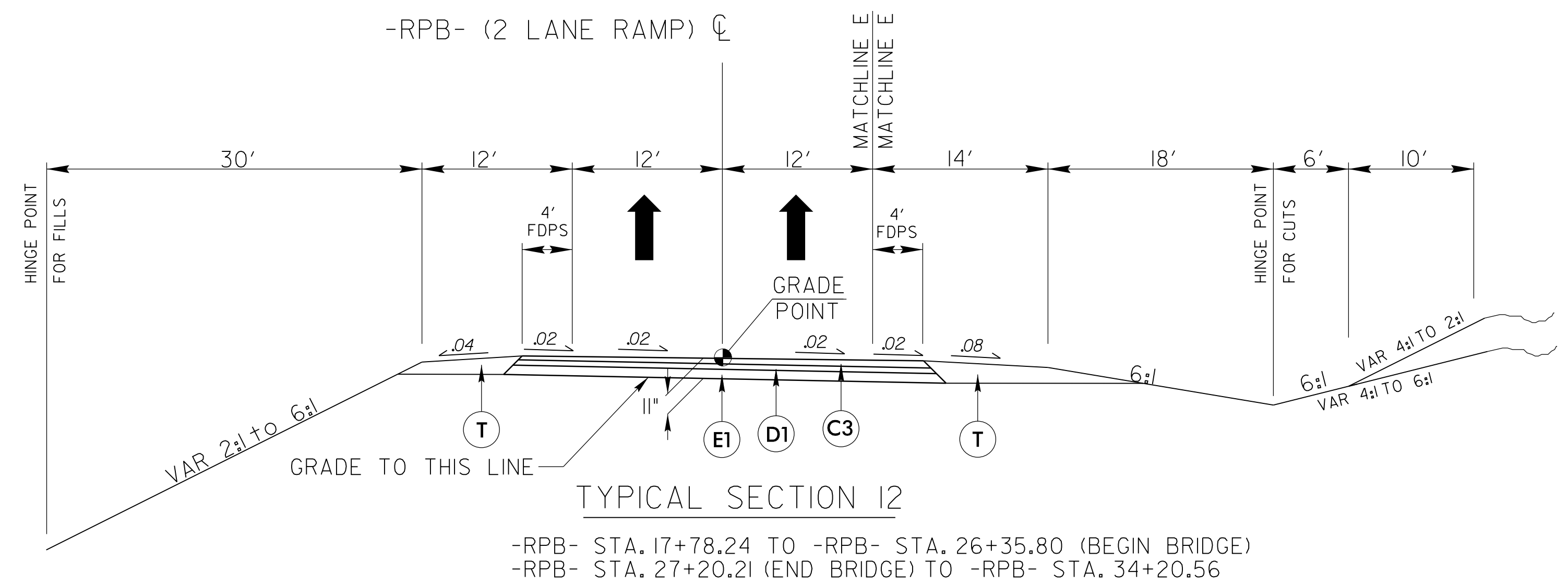
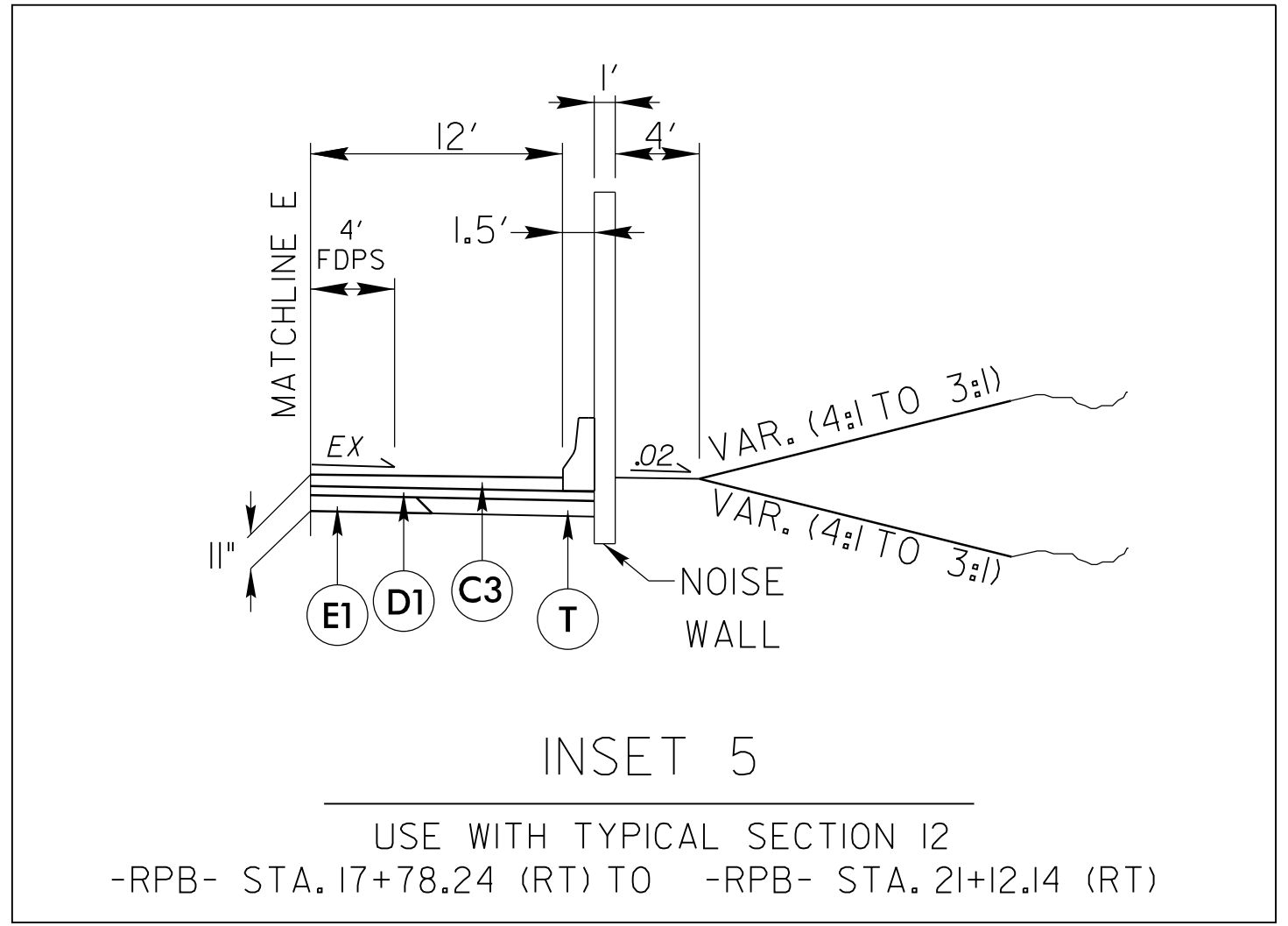
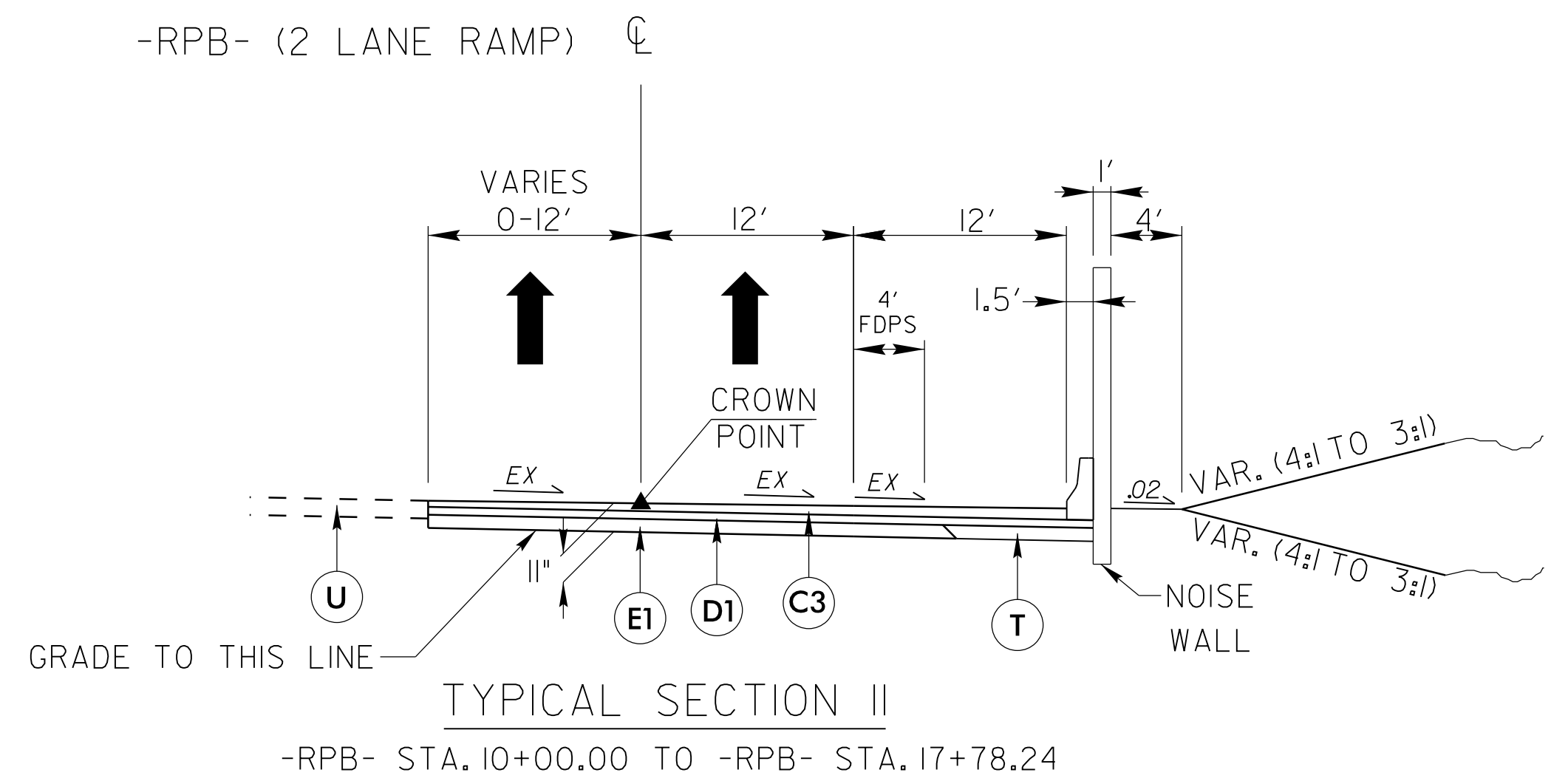


PROJECT REFERENCE NO. U-4405	SHEET NO. 2A-6
ROADWAY DESIGN ENGINEER SEAL 024929 CLARENCE J. MORGAN December 11, 1992/2018	PAVEMENT DESIGN ENGINEER SEAL 022896 CLARENCE J. MORGAN December 11, 1992/2018
<b>DOCUMENT NOT CONSIDERED FINAL UNLESS ALL SIGNATURES COMPLETED</b>	



PAVEMENT SCHEDULE	
C3	3" S9.5B
D1	4" I19.0C
E1	4" B25.0C
T	EARTH MATERIAL
U	EXISTING PAVEMENT