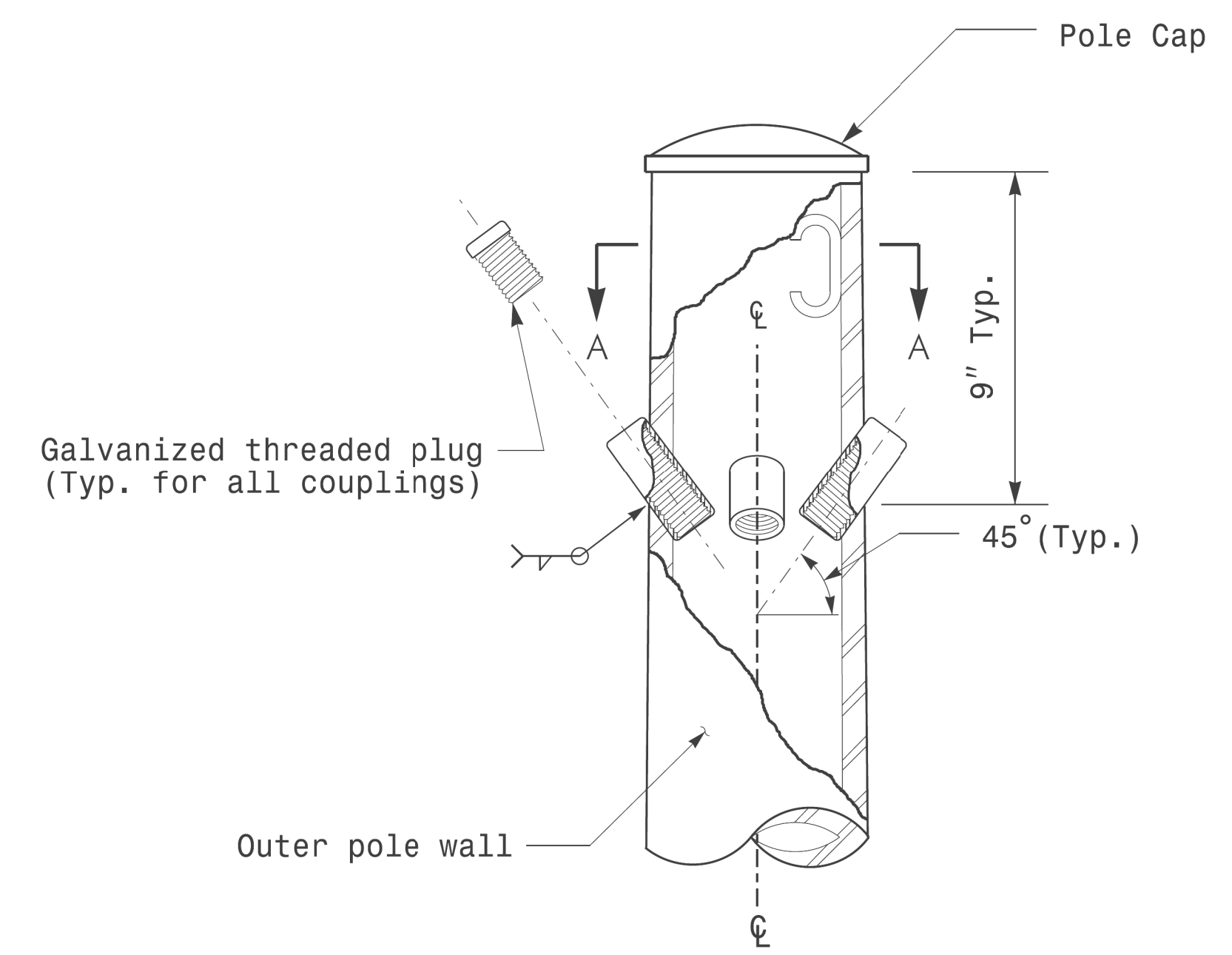
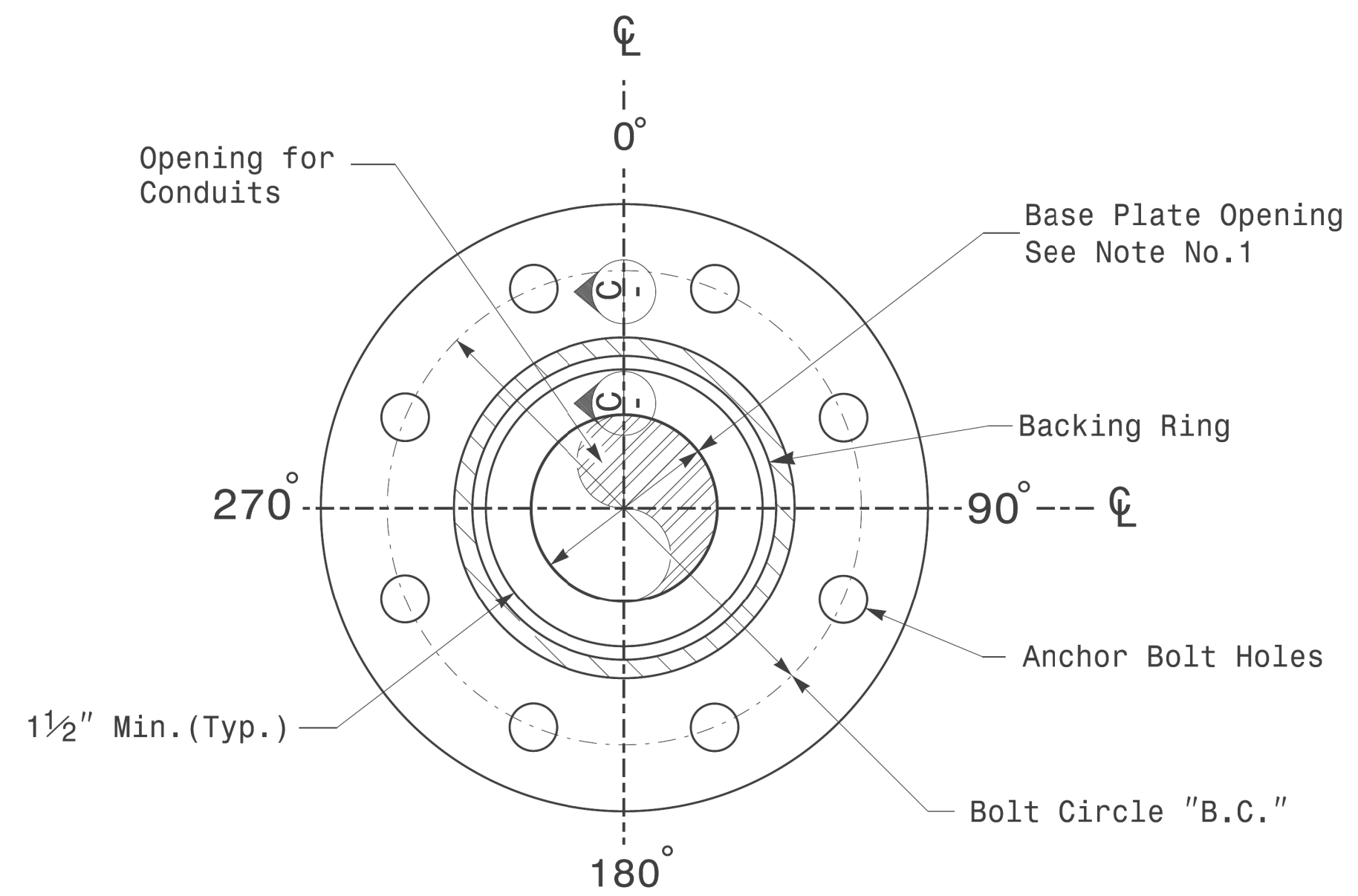


Note:
 1. Opening in pole base plate shall be equal to pole base inside diameter minus 3 1/2" but shall not be less than 8 1/2".

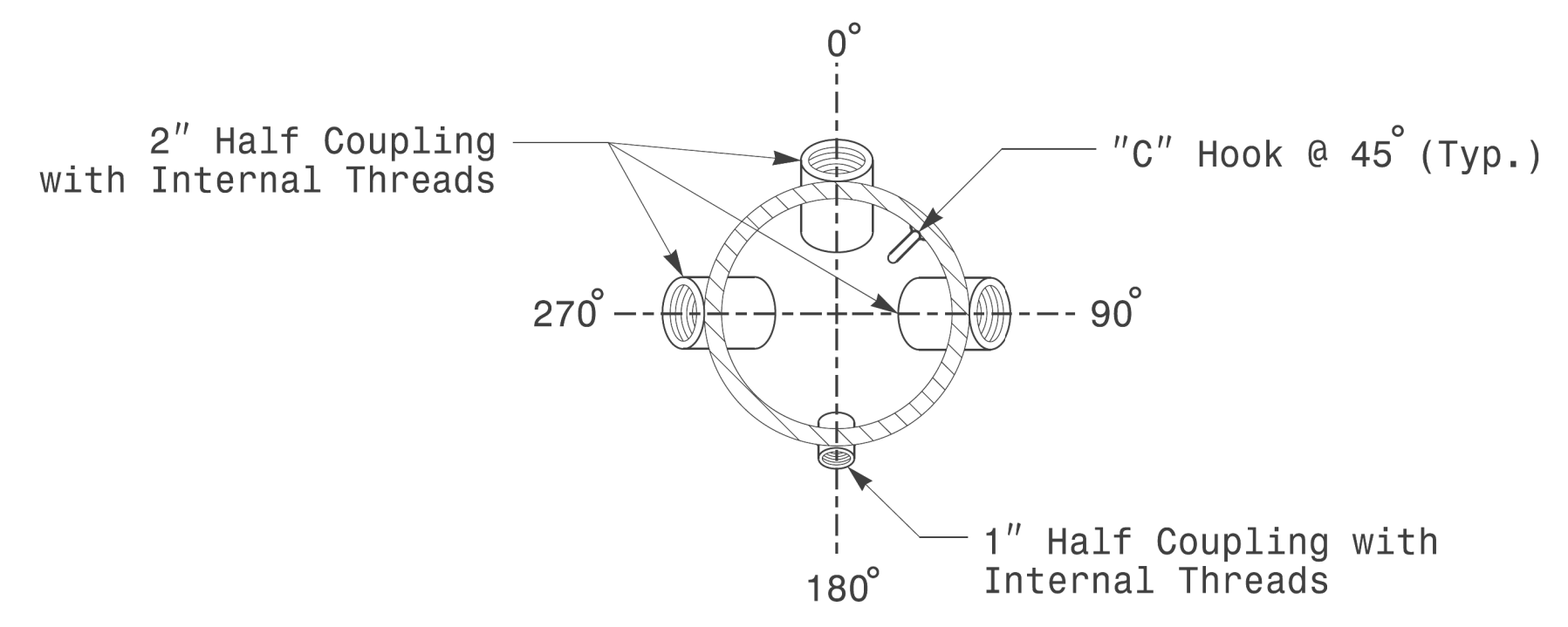


Cable Entrances at Top of Pole

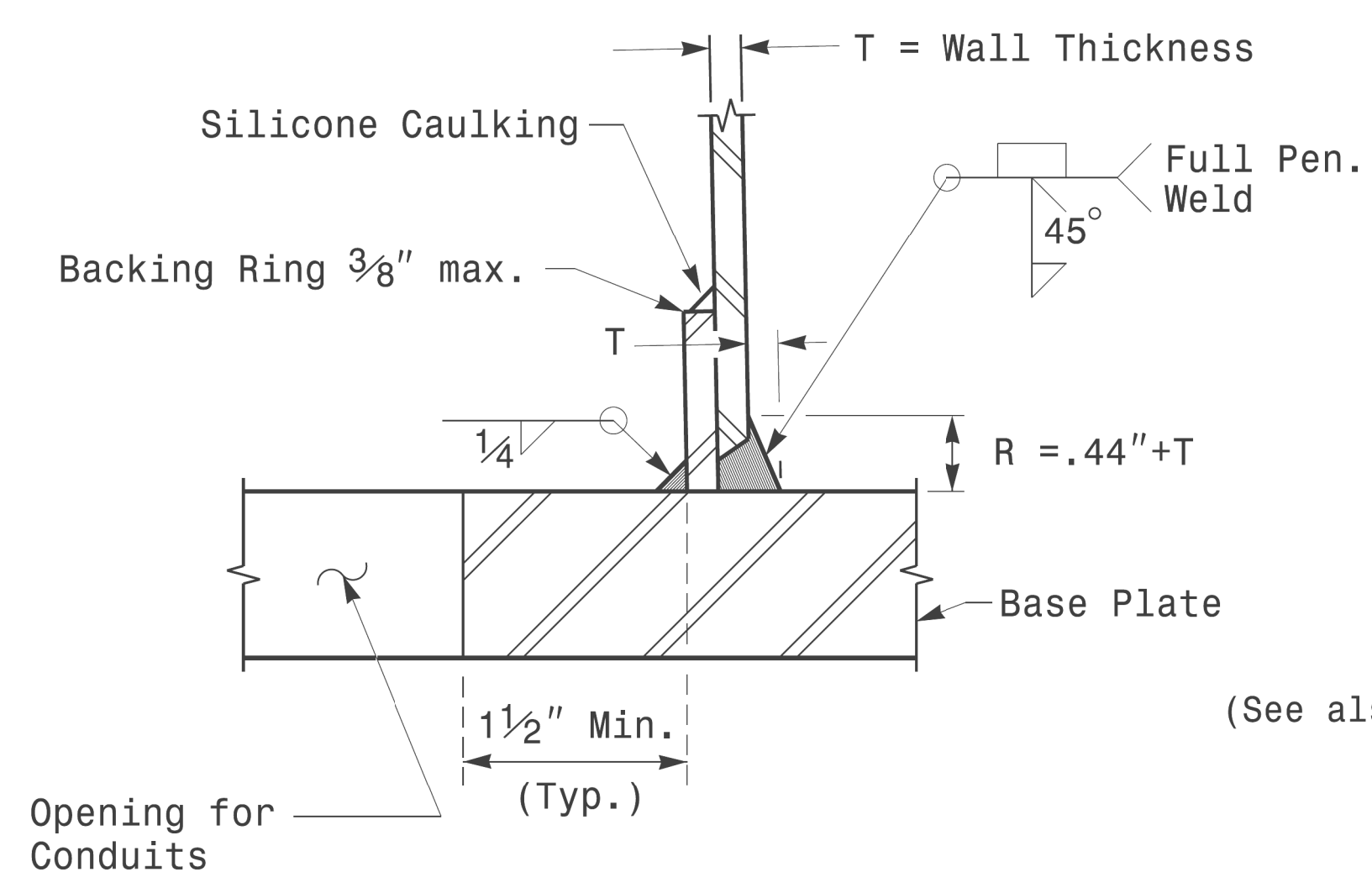


Section B-B
Pole Base Plate Details
(8 and 12 Bolt Pattern)

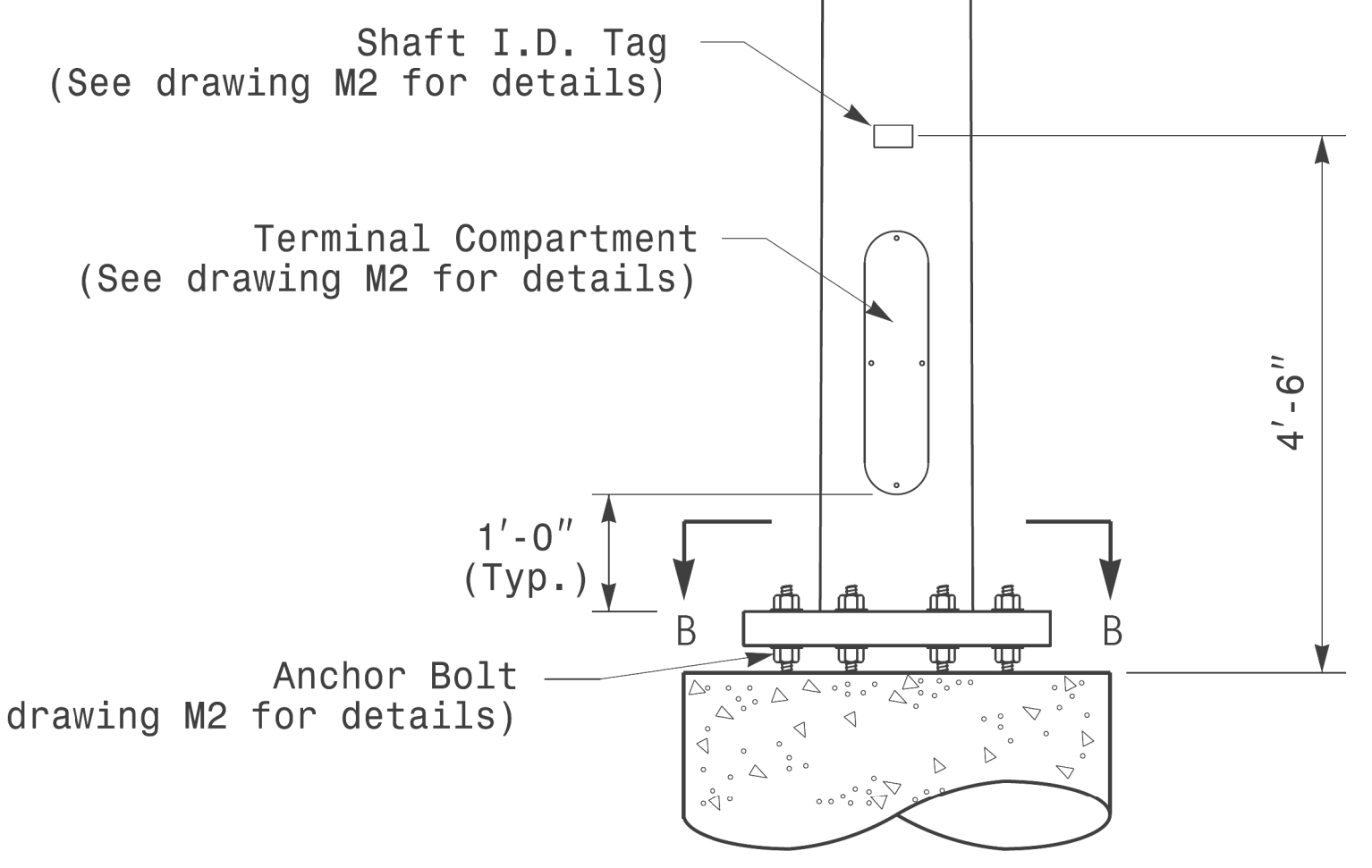
2 Cable Clamps designed for variable attachment heights from 1'-6" to 5'-0" below the top of the pole.



Section A-A
Radial Orientation for Factory Installed
Accessories at Top of Pole



Section C-C
(Pole Attachment to Base Plate)
Full-Penetration
Groove Weld Detail



Monotube Strain Pole

Fabrication Details – Strain Poles

11-001-2017 08:25 S:\13563\115 Signal\sig1 Design Section\Eastern Region\Sheet\2016\2014 Sig.M3 Std. Fabrication Detail\Strain Poles.dgn

<p>750 N. Greenfield Hwy, Garner, NC 27529</p>	Typical Fabrication Details For Strain Poles		
	PLAN DATE: OCTOBER 2017 DESIGNED BY: K.C. DURIGON	PREPARED BY: N. BITTING REVIEWED BY: D.C. SARKAR	
SCALE: 0 NA NONE	REVISIONS:	INIT. DATE	DocuSigned by: Debesh C. Sarkar 44E8E78F6A4F49E 10/11/2017 DATE