

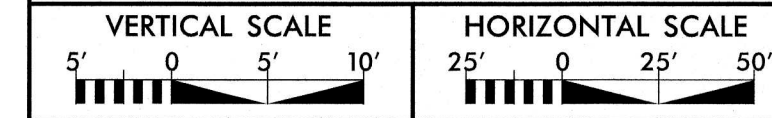
**This electronic collection of documents is provided  
for the convenience of the user  
and is Not a Certified Document –**

**The documents contained herein were originally issued  
and sealed by the individuals whose names and license  
numbers appear on each page, on the dates appearing  
with their signature on that page.**

**This file or an individual page  
shall not be considered a certified document.**

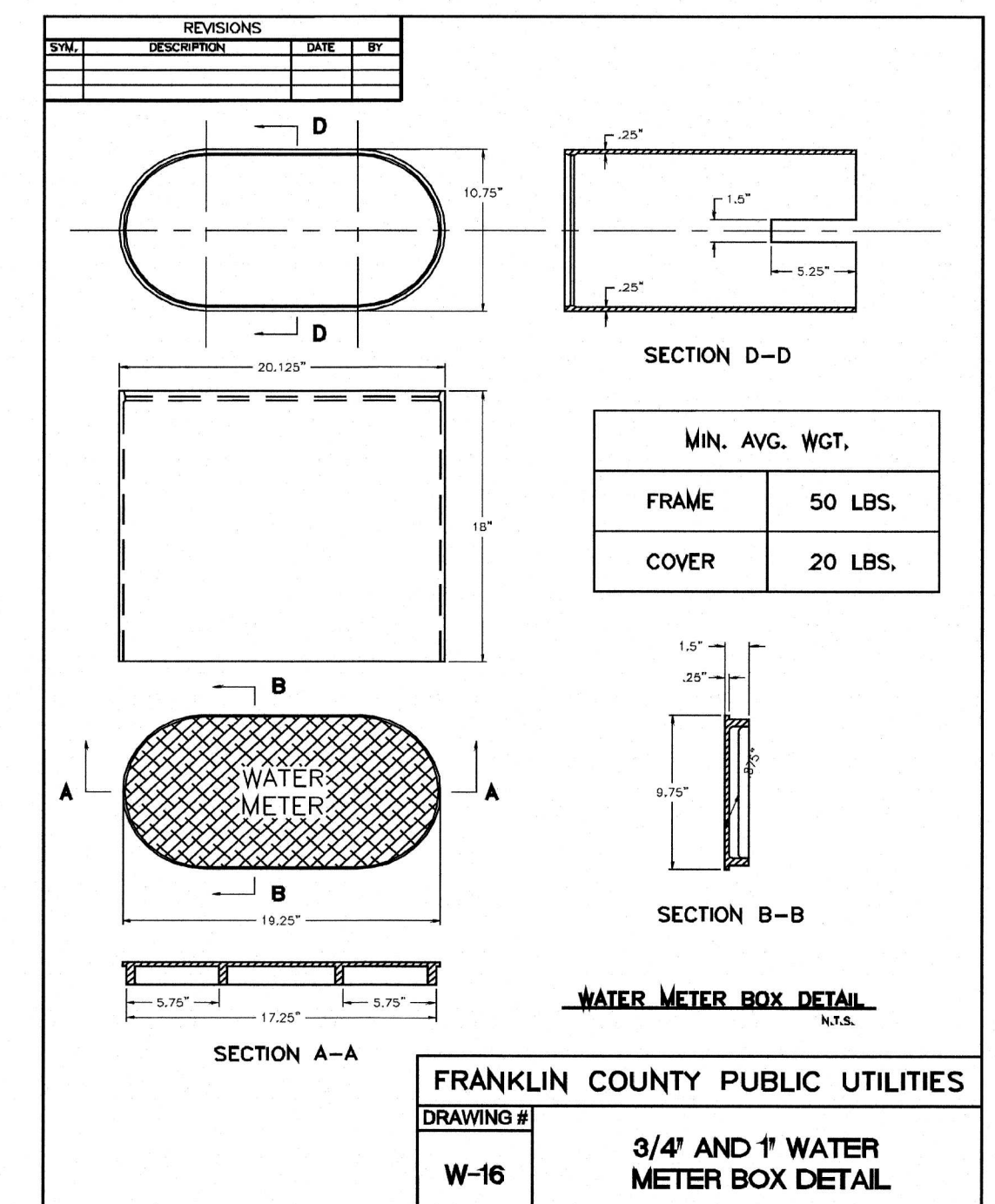
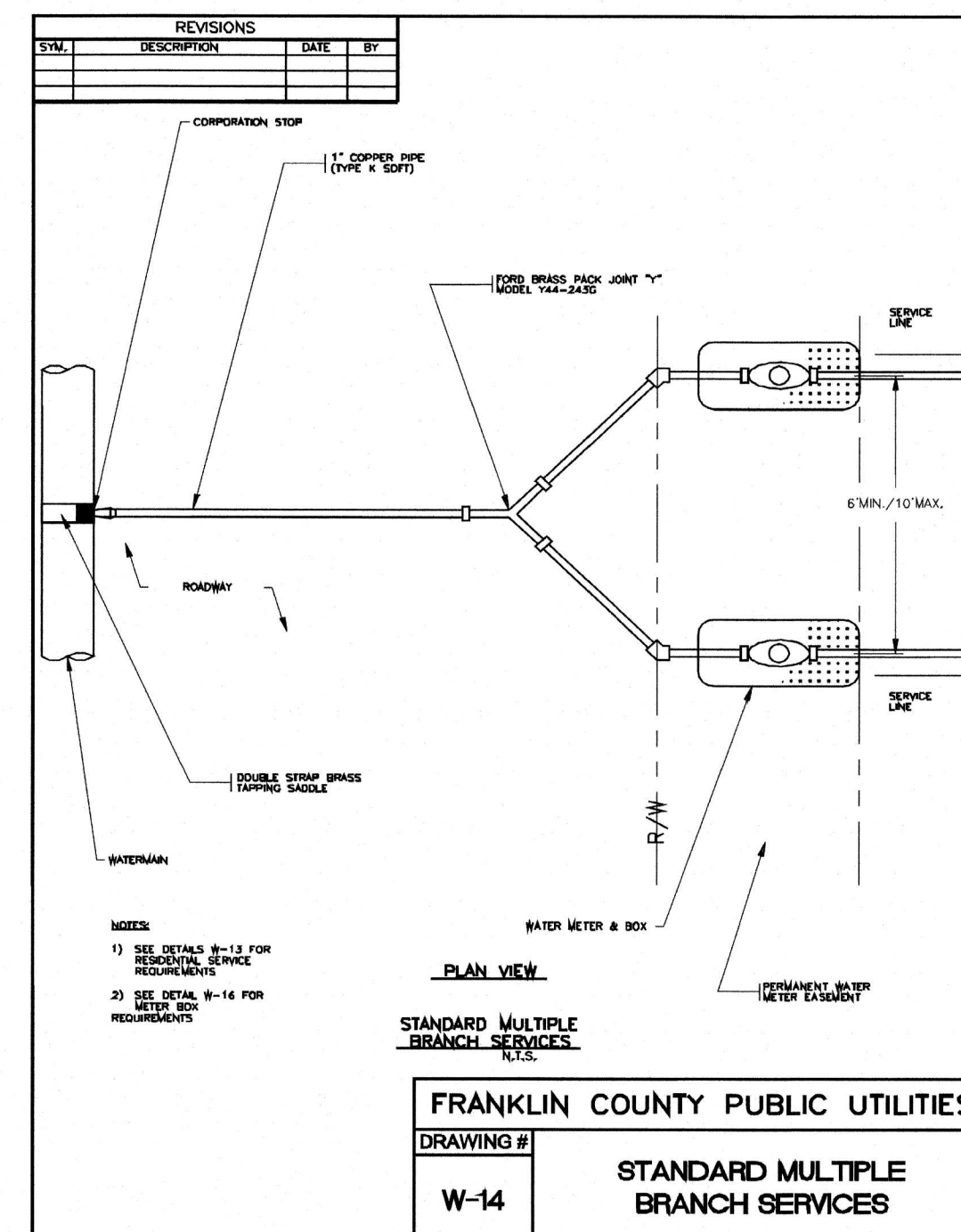
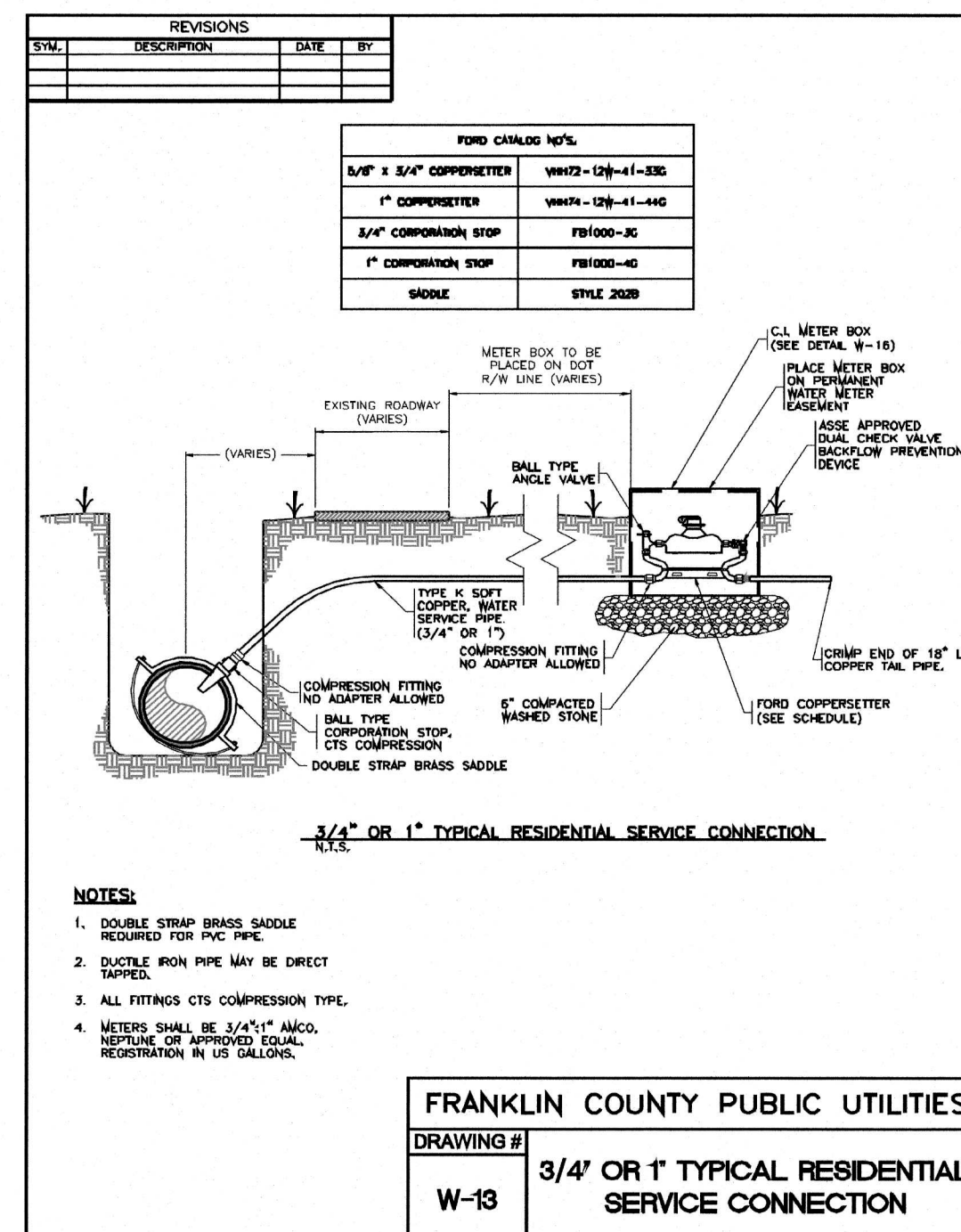
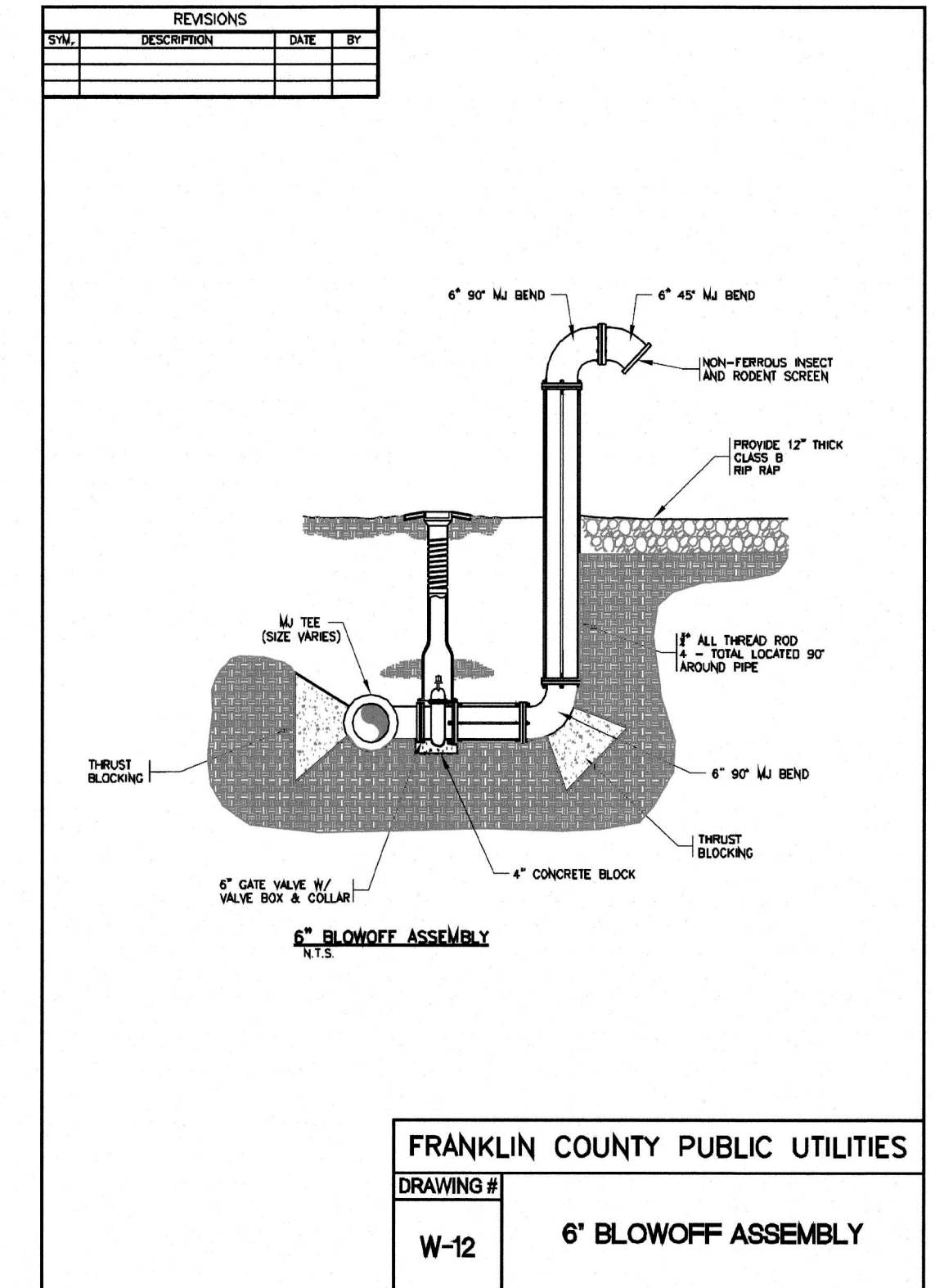
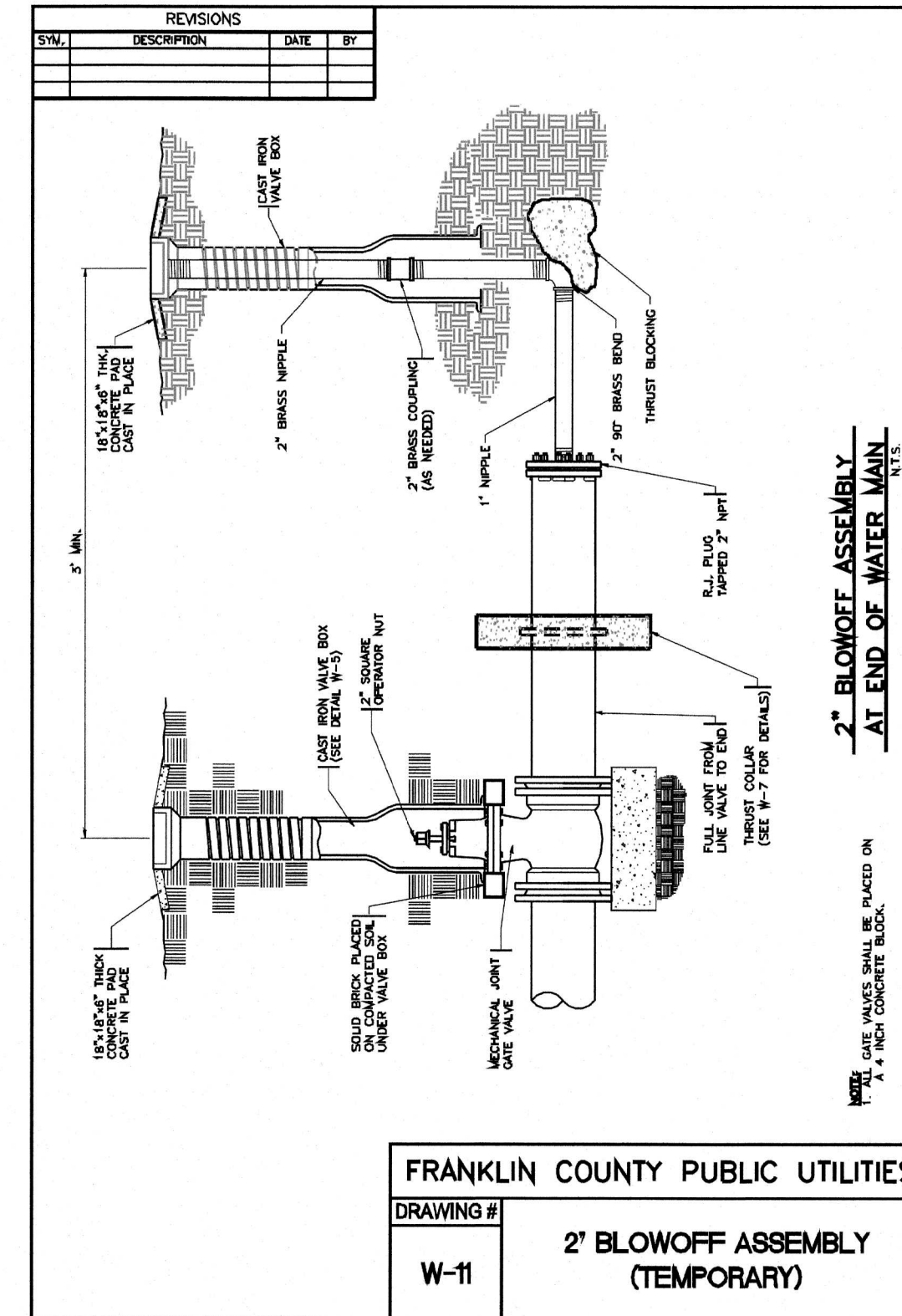
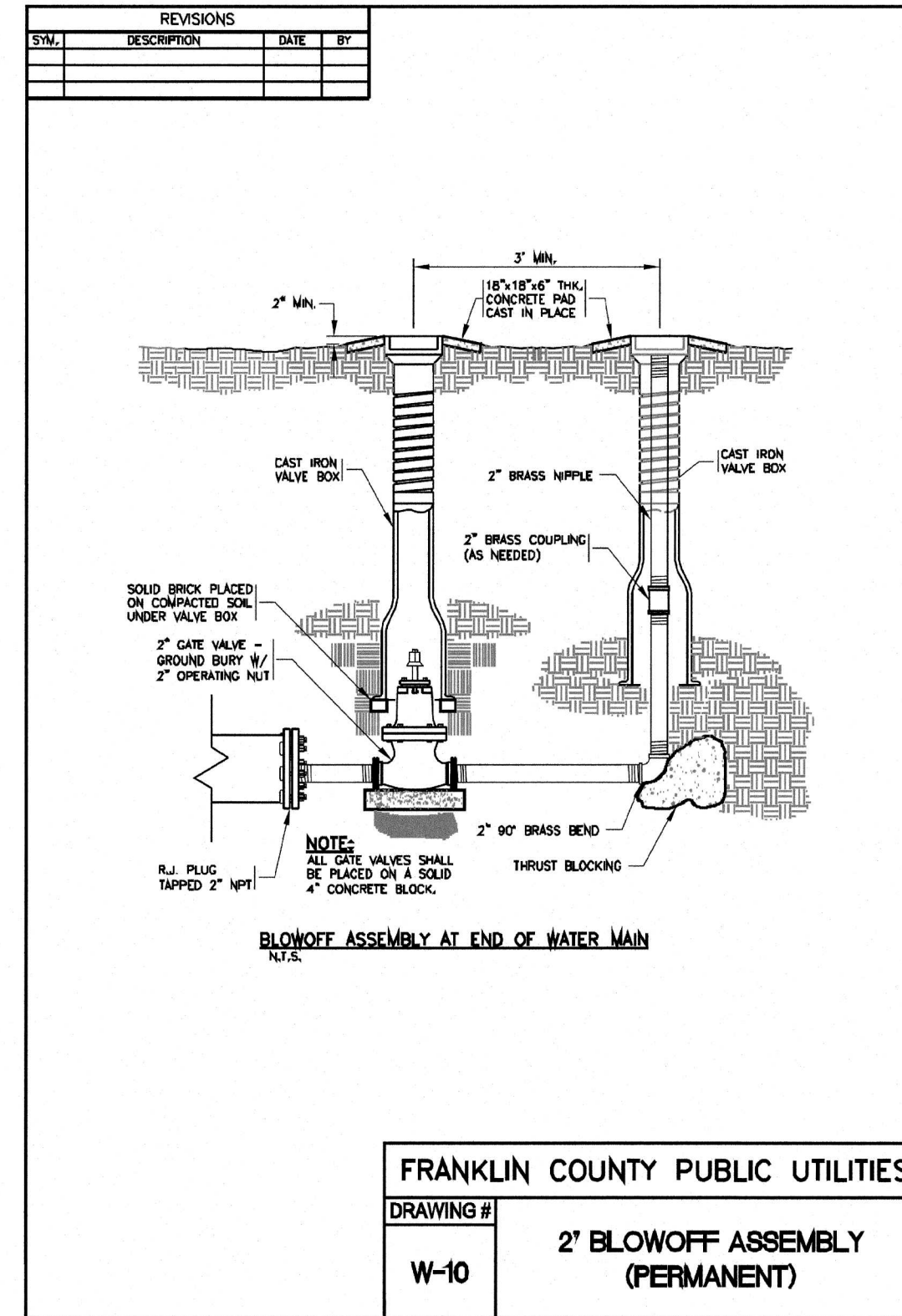
# PROJECT TYPICAL WATER DETAILS

PREPARED IN THE OFFICE OF:  <b>THE WOOTEN COMPANY</b> ENGINEERING   PLANNING   ARCHITECTURE 120 North Roper Avenue Raleigh, NC 27603-1423 919.828.6531 fax 919.834.2589 License Number: F-4015	PROJECT REFERENCE NO.	SHEET NO.
	R-2814C	UC-3B
	DESIGNED BY: JRG	
	DRAWN BY: TK	
CHECKED BY: JRG		 NORTH CAROLINA PROFESSIONAL ENGINEER JAMES R. GREGG
APPROVED BY: JRG		
REVISED:		
	NORTH CAROLINA DEPARTMENT OF TRANSPORTATION UTILITIES ENGINEERING SEC. PHONE: (919) 707-6690 FAX: (919) 250-4151	
Document Not Considered Final Unless All Signatures Completed UTILITY CONSTRUCTION PLANS ONLY		



WATER LINE CONSTRUCTION  
SHOWN ON THIS SHEET

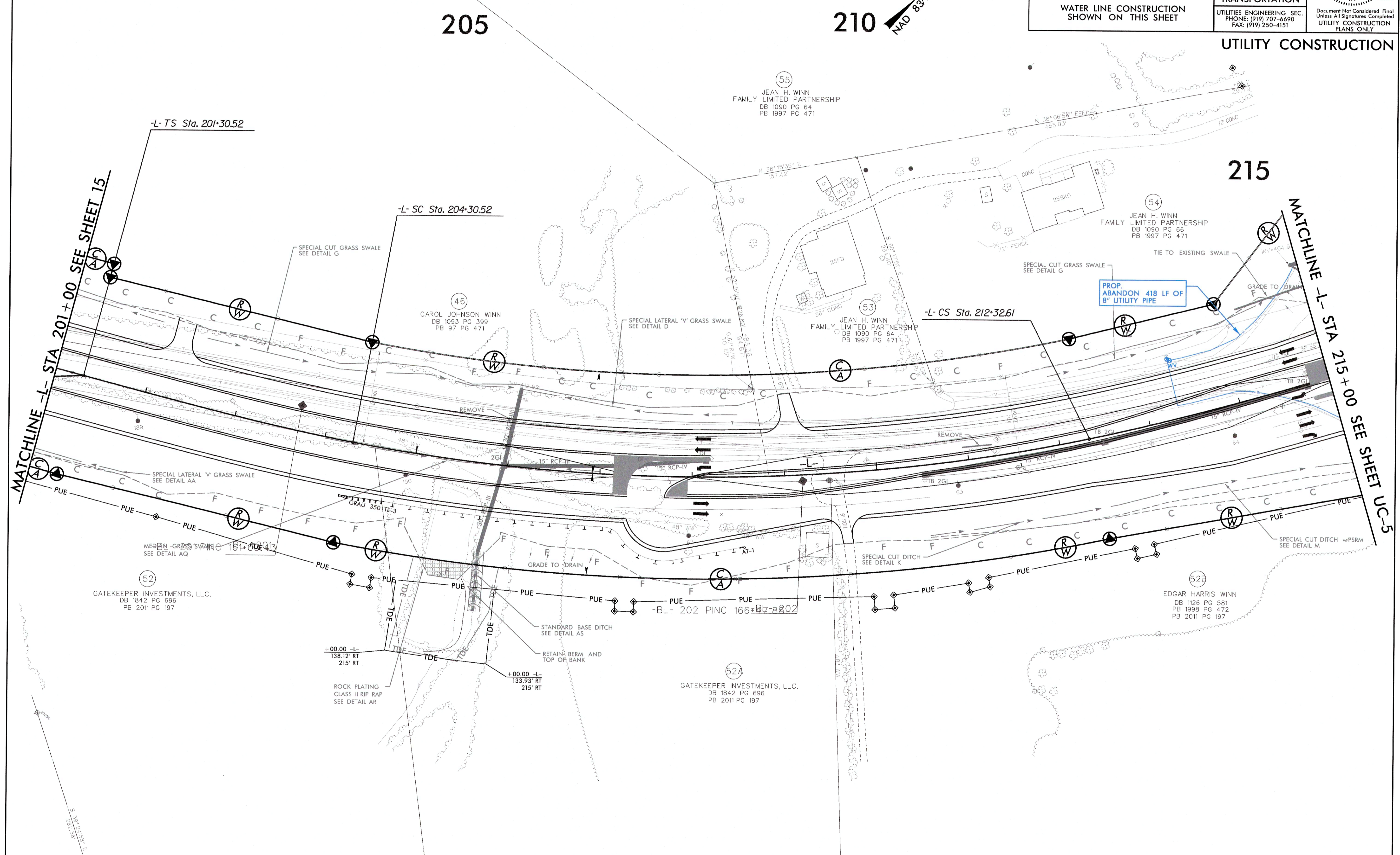
## UTILITY CONSTRUCTION



Pls Sta 203+30.57  
 F's = 4' 14" 38.9"  
 Ls = 300.00'  
 LT = 200.06'  
 ST = 100.05'  
  
 Pl Sta 208+36.89  
 D = 22' 41" 41.0" (LT)  
 D = 2' 49" 45.9"  
 L = 802.10'  
 T = 406.38'  
 R = 2,025.00'  
 SE = SEE PLANS  
  
 Pls Sta 213+32.67  
 F's = 4' 14" 38.9"  
 Ls = 300.00'  
 LT = 200.06'  
 ST = 100.05'



PREPARED IN THE OFFICE OF:  <b>THE WOOTEN COMPANY</b> <small>ENGINEERING   PLANNING   ARCHITECTURE</small> <small>120 North Boylan Avenue, Raleigh, NC 27603-1823</small> <small>919.880.0281 Fax 919.880.3497</small> <small>License Number: F-0015</small>	PROJECT REFERENCE NO.	SHEET NO.
	R-2814C	UC-4
DESIGNED BY: JRG		
DRAWN BY: TK		
CHECKED BY: JRG		
APPROVED BY: JRG	REVISED: <b>NORTH CAROLINA DEPARTMENT OF TRANSPORTATION</b> UTILITIES ENGINEERING SEC. PHONE: (919) 707-6690 FAX: (919) 250-4151	
VERTICAL SCALE: 5' 0" 5' 10" HORIZONTAL SCALE: 25' 0" 25' 50" <b>WATER LINE CONSTRUCTION SHOWN ON THIS SHEET</b>		
<b>UTILITY CONSTRUCTION</b> <small>Document Not Considered Final Unless All Signatures Completed UTILITY CONSTRUCTION PLANS ONLY</small>		



-L- TS Sta. 201+30.52

-L- SC Sta. 204+30.52

-L- CS Sta. 212+32.61

MATCHLINE -L- STA 201+00 SEE SHEET 15

MATCHLINE -L- STA 215+00 SEE SHEET UC-5

52  
 GATEKEEPER INVESTMENTS, LLC.  
 DB 1842 PG 696  
 PB 2011 PG 197

+00.00 -L- 138.12' RT 215' RT  
 ROCK PLATING CLASS II RIP RAP SEE DETAIL AR  
  
 +00.00 -L- 133.93' RT 215' RT  
 STANDARD BASE DITCH SEE DETAIL AS  
 RETAIN BERM AND TOP OF BANK

52A  
 GATEKEEPER INVESTMENTS, LLC.  
 DB 1842 PG 696  
 PB 2011 PG 197

52B  
 EDGAR HARRIS WINN  
 DB 1126 PG 581  
 PB 1998 PG 472  
 PB 2011 PG 197

46  
 CAROL JOHNSON WINN  
 DB 1093 PG 399  
 PB 97 PG 471

55  
 JEAN H. WINN FAMILY LIMITED PARTNERSHIP  
 DB 1090 PG 64  
 PB 1997 PG 471

53  
 JEAN H. WINN FAMILY LIMITED PARTNERSHIP  
 DB 1090 PG 64  
 PB 1997 PG 471

54  
 JEAN H. WINN FAMILY LIMITED PARTNERSHIP  
 DB 1090 PG 66  
 PB 1997 PG 471

PROP. ABANDON 418 LF OF 8" UTILITY PIPE

PREPARED IN THE OFFICE OF:



PROJECT REFERENCE NO. R-2814C SHEET NO. UC-5

DESIGNED BY: JRG

DRAWN BY: TK

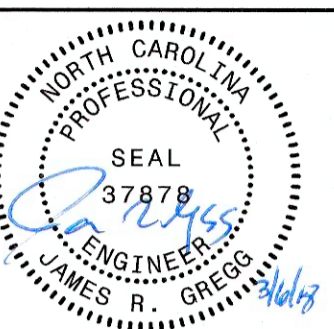
CHECKED BY: JRG

APPROVED BY: JRG

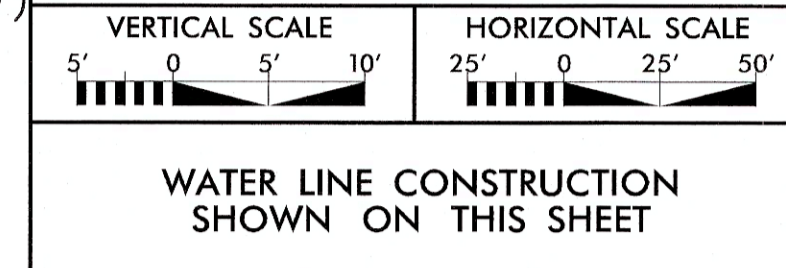
REVISED:

NORTH CAROLINA DEPARTMENT OF TRANSPORTATION

UTILITIES ENGINEERING SEC. PHONE: (919) 707-6690 FAX: (919) 250-4151

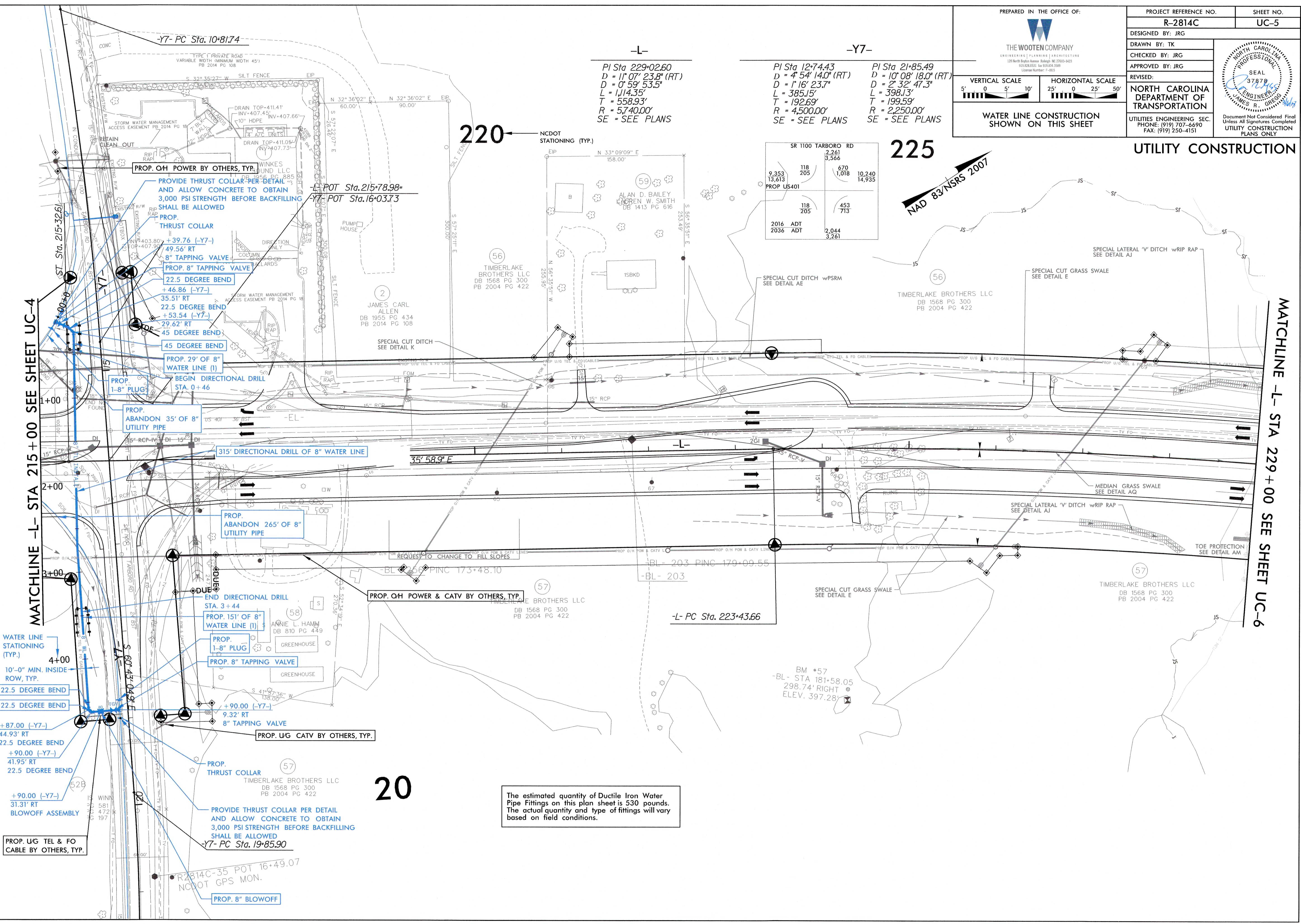


Document Not Considered Final Unless All Signatures Completed UTILITIES CONSTRUCTION PLANS ONLY



WATER LINE CONSTRUCTION SHOWN ON THIS SHEET

UTILITY CONSTRUCTION



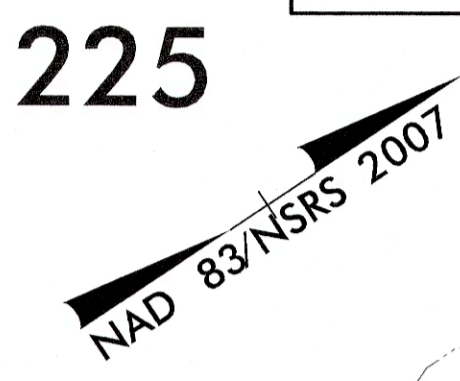
PI Sta 229+02.60  
D = 1' 07' 23.8" (RT)  
D = 0' 59' 53.5"  
L = 1,114.35'  
T = 558.93'  
R = 5,740.00'  
SE = SEE PLANS

PI Sta 12+74.43  
D = 4' 54' 14.0" (RT)  
D = 1' 16' 23.7"  
L = 385.15'  
T = 192.69'  
R = 4,500.00'  
SE = SEE PLANS

PI Sta 21+85.49  
D = 10' 08' 18.0" (RT)  
D = 2' 32' 47.3"  
L = 398.13'  
T = 199.59'  
R = 2,250.00'  
SE = SEE PLANS

SR 1100 TARBORO RD

2,261	3,566
118	205
670	10,240
13,613	14,935
PROP US401	
118	205
453	713
2016 ADT	2,044
2036 ADT	3,261



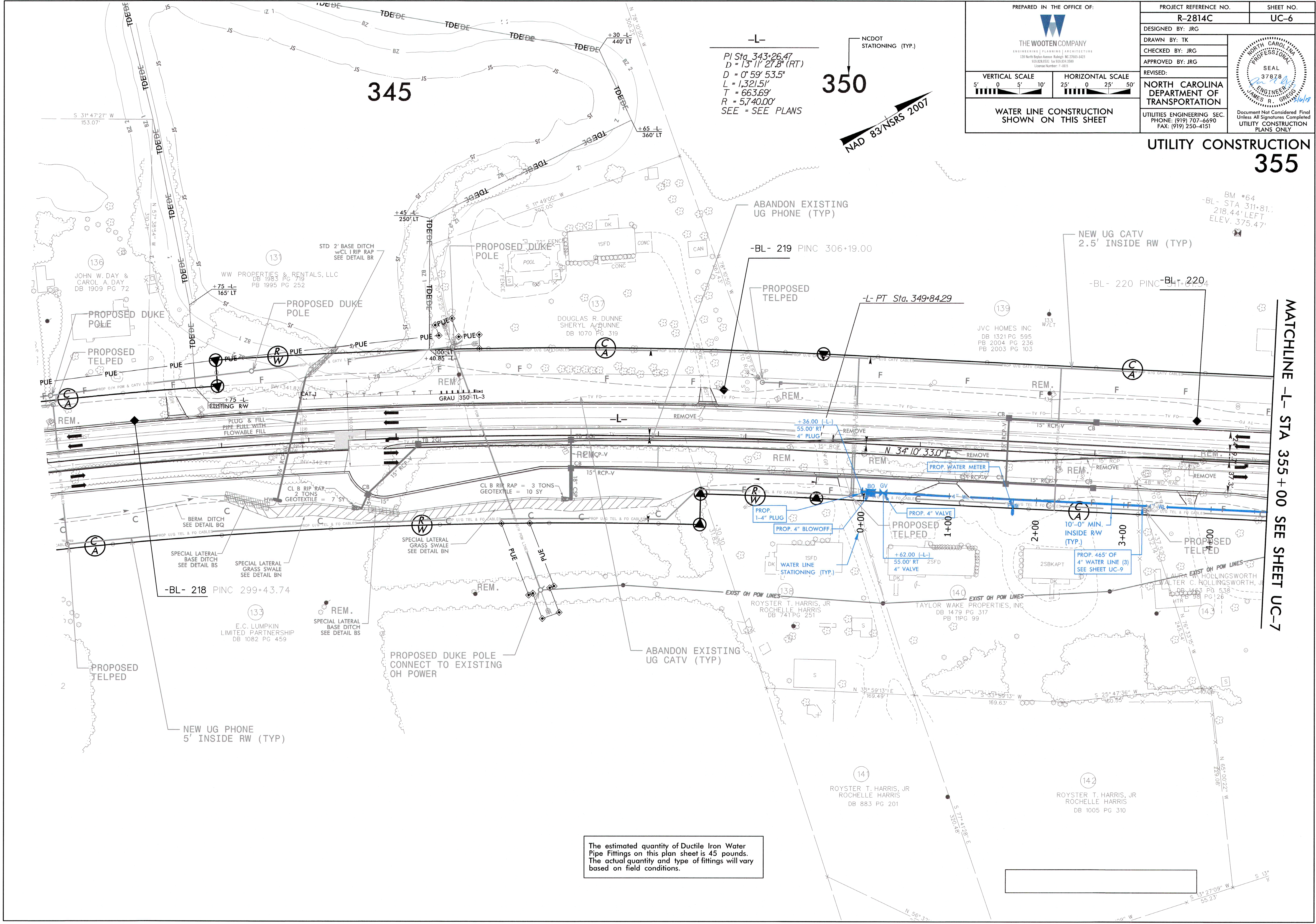
MATCHLINE -L- STA 215+00 SEE SHEET UC-4

MATCHLINE -L- STA 229+00 SEE SHEET UC-6

The estimated quantity of Ductile Iron Water Pipe Fittings on this plan sheet is 530 pounds. The actual quantity and type of fittings will vary based on field conditions.

PREPARED IN THE OFFICE OF:  <b>THE WOOTEN COMPANY</b> <small>ENGINEERING   PLANNING   ARCHITECTURE</small> <small>120 North Rocky Avenue, Raleigh, NC 27603-1422</small> <small>919.828.6531 Fax 919.824.5989</small> <small>License Number: F-0015</small>	PROJECT REFERENCE NO.	SHEET NO.
	R-2814C	UC-6
DESIGNED BY: JRG	 NORTH CAROLINA DEPARTMENT OF TRANSPORTATION UTILITY ENGINEERING SEC. PHONE: (919) 707-6690 FAX: (919) 250-4151	
DRAWN BY: TK		
CHECKED BY: JRG		
APPROVED BY: JRG		
REVISED:		
<b>WATER LINE CONSTRUCTION SHOWN ON THIS SHEET</b>		

**UTILITY CONSTRUCTION**  
**355**



-L-  
 PI Sta. 343+26.47  
 D = 13' 11" 27.8" (RT)  
 D = 0' 59" 53.5"  
 L = 1,321.51'  
 T = 663.69'  
 R = 5,740.00'  
 SEE - SEE PLANS

The estimated quantity of Ductile Iron Water Pipe Fittings on this plan sheet is 45 pounds. The actual quantity and type of fittings will vary based on field conditions.