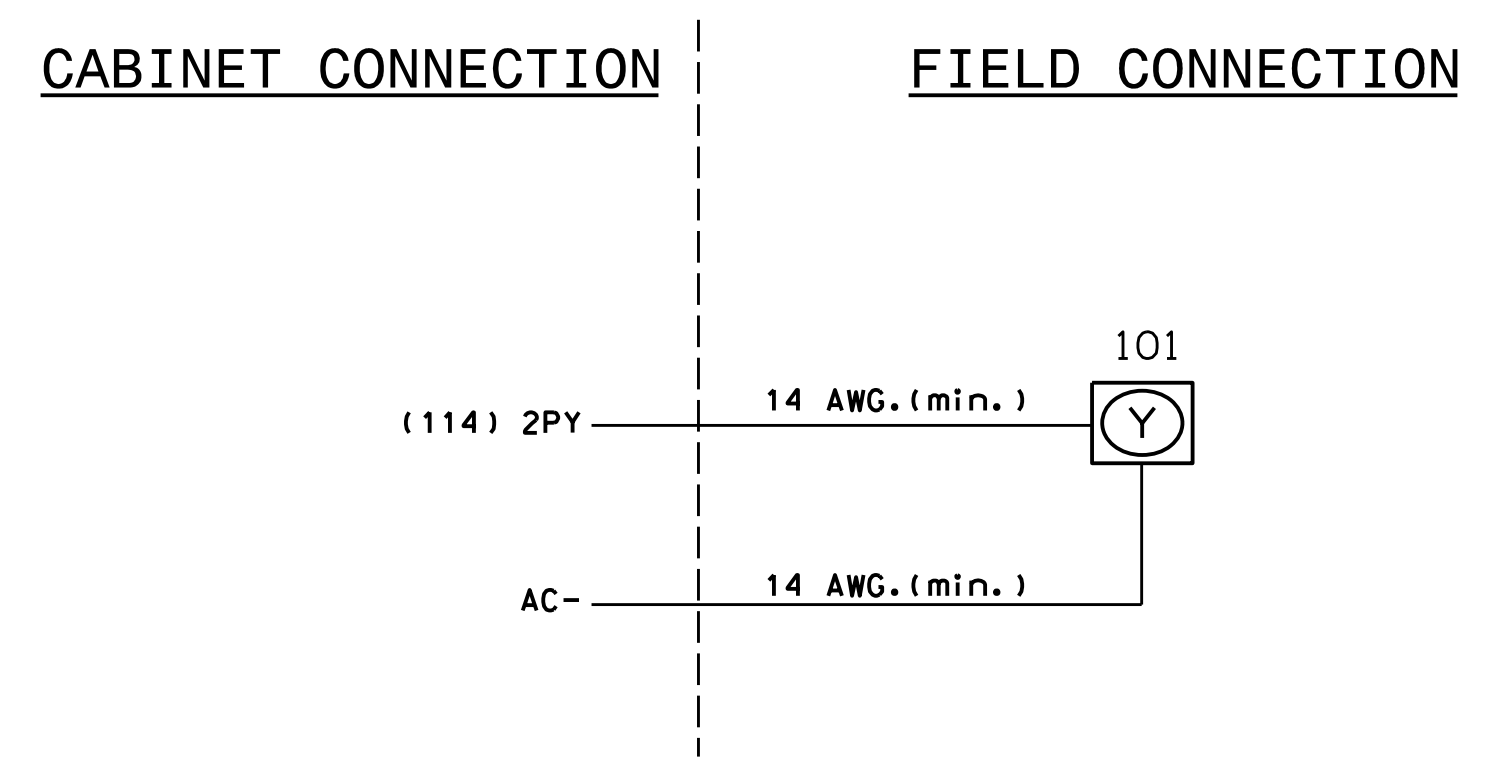


SPECIAL EVENT FLASHER (101)
(wire flashers as shown)



SPECIAL EVENT FLASHER
OUTPUT ASSIGNMENT PROGRAMMING DETAIL
(program controller as shown below)

FROM MAIN MENU PRESS '6' (OUTPUTS), THEN '1' (OUTPUT ASSIGNMENTS). PRESS '+' UNTIL OUTPUT #33 (PIN 35) IS REACHED.

```

PAGE:1 C1 PIN:35 NOT ENABLED
OUTPUT ASSIGNMENT #.....33
FREQUENCY (0=DEFAULT) (0-25.5 HZ)...1.0
DUTY CYCLE (0=DEFAULT) (0 - 100%)...50
MODE (0=SOLID,1=FLASH)...1
SELECT ASSIGNMENT:
NOT ENABLED.....Y
VEHICLE PHASE.....
PEDESTRIAN PHASE.....
VEHICLE OVERLAP.....
PEDESTRIAN OVERLAP.....
WATCHDOG.....
DETECTOR RESET.....
ADVANCE BEACON.....
OUT OF PHASE FLASHER.....
CONTROLLER FLASH.....
RUN FREE.....
RESERVED.....
PREEMPT.....
SOFT PREEMPT.....
ANY PREEMPT.....
COORDINATION PLAN.....
OFFSET.....
PHASE CHECK.....
PHASE ON.....
PHASE NEXT.....
  
```

EDIT THE FIRST THREE PROGRAMMING ROWS TO DEFINE THE OUTPUT TO FLASH, ALONG WITH THE RATE IN WHICH IT WILL FLASH.
LEAVE THE ENTRY AS IS

SPECIAL EVENT FLASHER
SCHEDULING PROGRAMMING DETAIL
(program controller as shown below)

FROM MAIN MENU PRESS 'B' (SCHEDULING).

```

SCHEDULED EVENT #1 NOT ASSIGNED*
START DATE (MM/DD).....**/**
END DATE (MM/DD).....**/**
START TIME (HH:MM).....**/**
STOP TIME (HH:MM).....**/**
DOW 1SUN MON TUE WED THR FRI SAT
ENABLED 1** ** ** ** ** ** ** ** 
EVENT GROUPS |12345678910111213141516
ASSIGNED

DELETE EVENT WHEN COMPLETED?.....N
CONTINUOUS EVENT?.....N
INVERT EVENT?.....N
SELECT 1 EVENT TYPE:
EVENT GROUP (1-16).....
PLAN (65=FLSH,66=FREE)... OFFSET#...
PLAN PRIORITY: LOW... MED... HIGH...
CHANGE PHASE SEQUENCE PAGE (1-12)...
CHANGE PHASE TIMING PAGE (1-4)...
CHANGE PHASE CONTROL PAGE (1-4)...
CHANGE OVERLAP CONTROL PAGE (1-4)...
CHANGE INPUT PAGE (1-4)...
CHANGE OUTPUT PAGE (1-4)...
SET OUTPUT ON (1-64)...33
SET OUTPUT OFF (1-64)...
SET INPUT ON (1-64)...
SET INPUT OFF (1-64)...
ENABLE FAILURES LOG?.....
ENABLE EVENTS LOG?.....
ENABLE DATA ENTRIES LOG?.....
ENABLE COORDINATION PLANS LOG?.....
ENABLE SPECIAL FUNCTIONS LOG?.....
ENABLE SLIT MONITOR LOG?.....
ENABLE DETECTOR DATA LOG?.....
ENABLE DETECTOR (1-64)...
ENABLE DETECTOR DIAGNOSTICS (1-64)...
ENABLE DET STRETCH / DELAY (1-64)...
ENABLE DET STOP BAR MODE (1-64)...
SET LOGIC FLAG ON (1-16)...
SET LOGIC FLAG OFF (1-64)...
OVERRIDE PHASE CONTROL FUNCTIONS?.....
  
```

* AFTER PROGRAMMING THIS SPACE WILL READ 'OUTPUT OVERRIDE'.
*** TIME, DATES, AND DAYS OF WEEK DETERMINED BY THE DTE.

THIS ELECTRICAL DETAIL IS FOR
THE SIGNAL DESIGN: 07-1470T2
DESIGNED: May 2018
SEALED: May 20, 2018
REVISED: N/A

Project #: 170908



Temporary Design 2; TMP-25
Electrical Detail - Sheet 3 of 3

<p>750 N. Greenfield Pkwy, Corner, NC 27529</p>	NC 68 (Eastchester Dr.) at Cypress Ct.		
	Division 7 PLAN DATE: May 2018 PREPARED BY: A. Ravipati	High Point REVIEWED BY: L. Boyer REVIEWED BY:	
REVISIONS		INIT. DATE	DocuSigned by: 05/20/2018 SIGNATURE DATE SIG. INVENTORY NO. 07-1470T2

DOCUMENT NOT CONSIDERED FINAL UNLESS ALL SIGNATURES COMPLETED