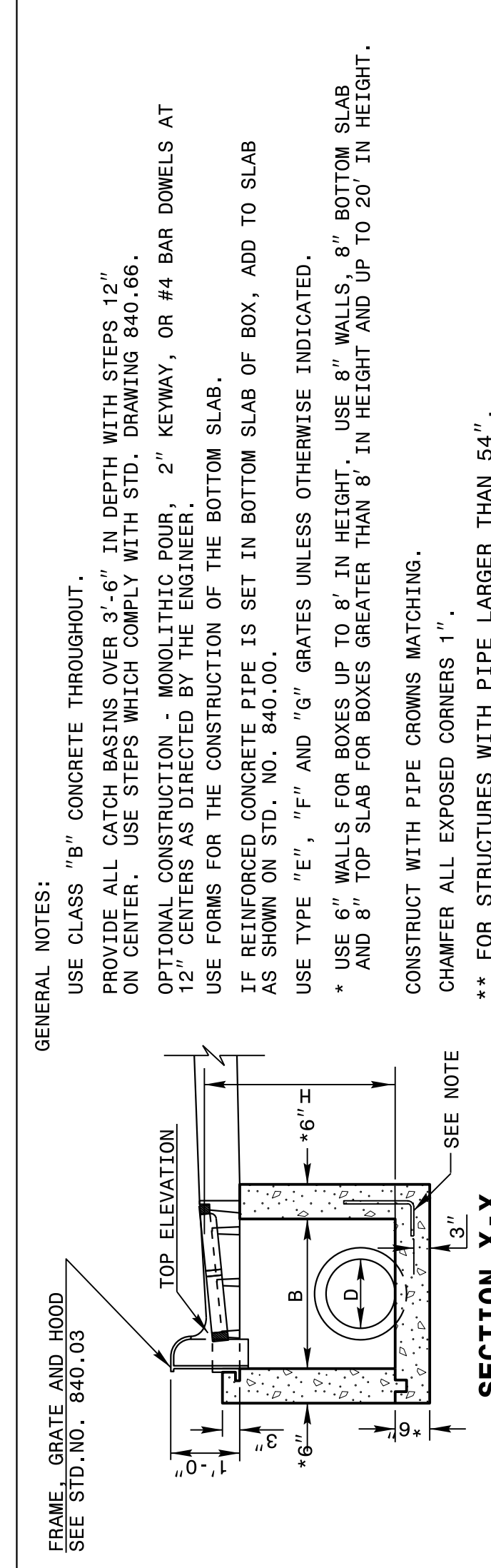
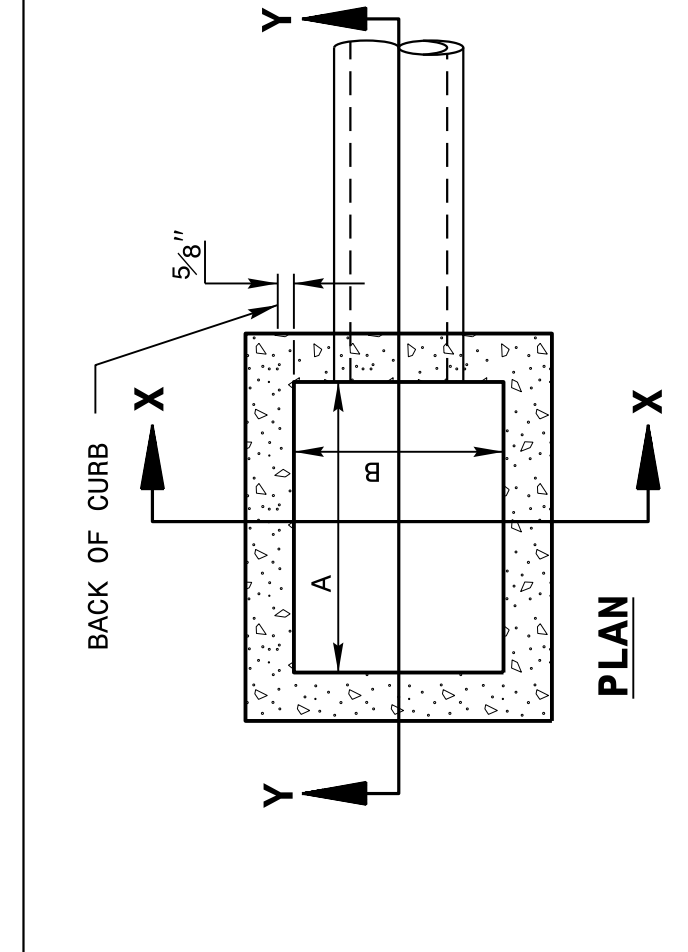


16-APR-2018 11:44  
 S:\Contracts\Special Details\Jhowerton\840d02 Extra Depth CB.dgn  
 Jhowerton AT CSD-292595

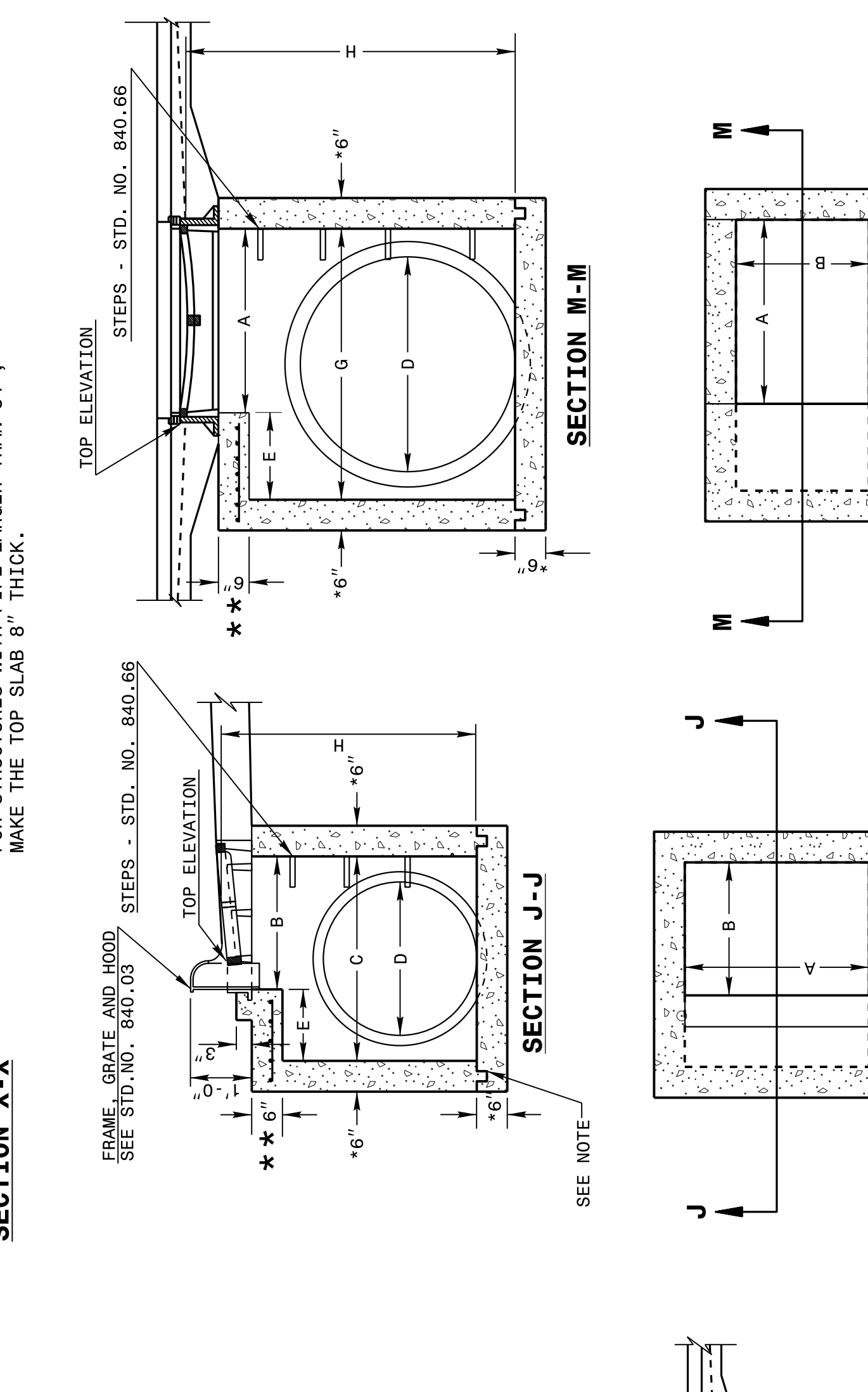
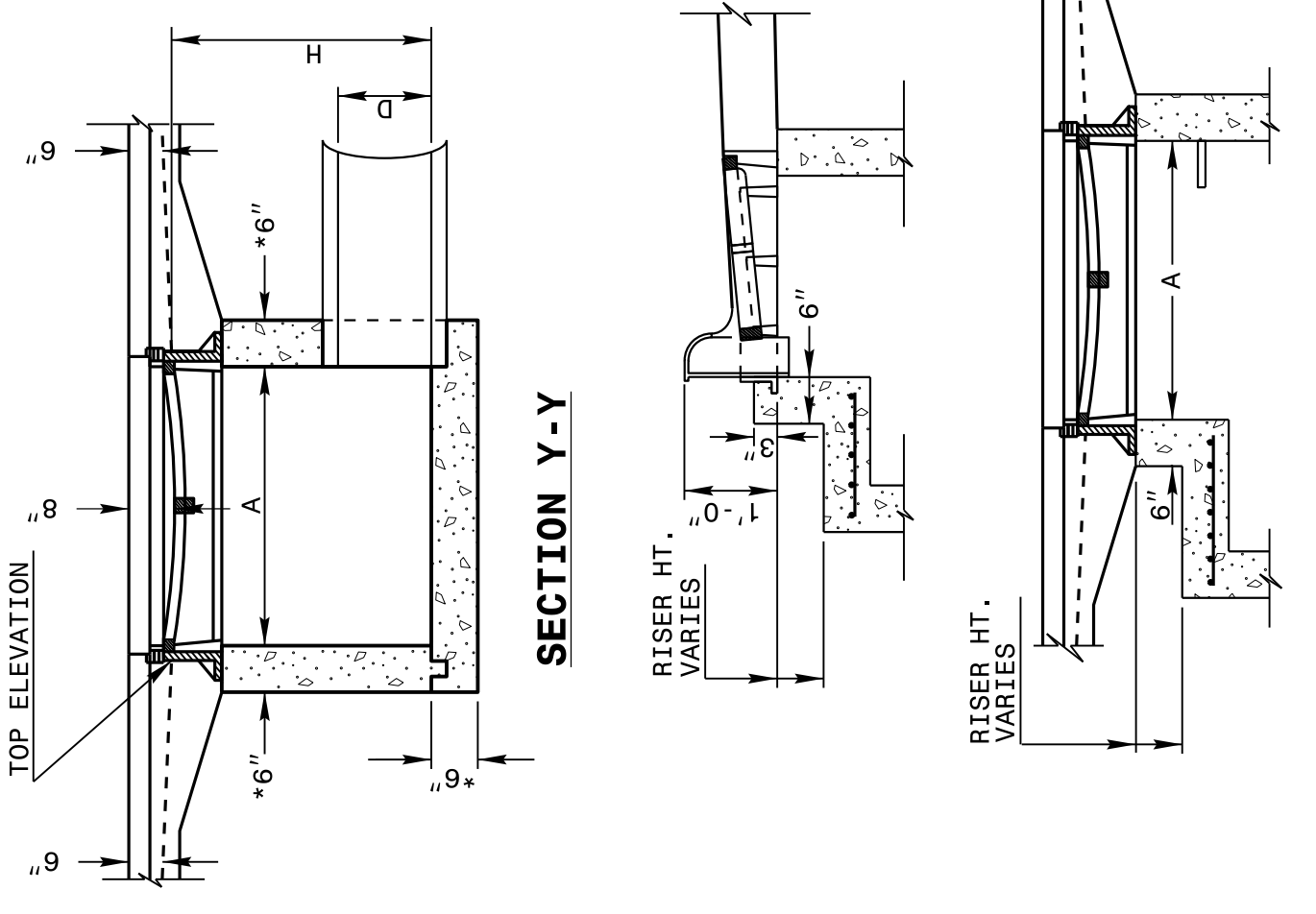
5/14/99

STATE OF NORTH CAROLINA  
 DEPT. OF TRANSPORTATION  
 DIVISION OF HIGHWAYS  
 RALEIGH, N.C.



STATE OF NORTH CAROLINA  
 DEPT. OF TRANSPORTATION  
 DIVISION OF HIGHWAYS  
 RALEIGH, N.C.

ENGLISH DETAIL DRAWING FOR  
**EXTRA DEPTH  
 CONCRETE CATCH BASIN**  
 12" THRU 84" PIPE

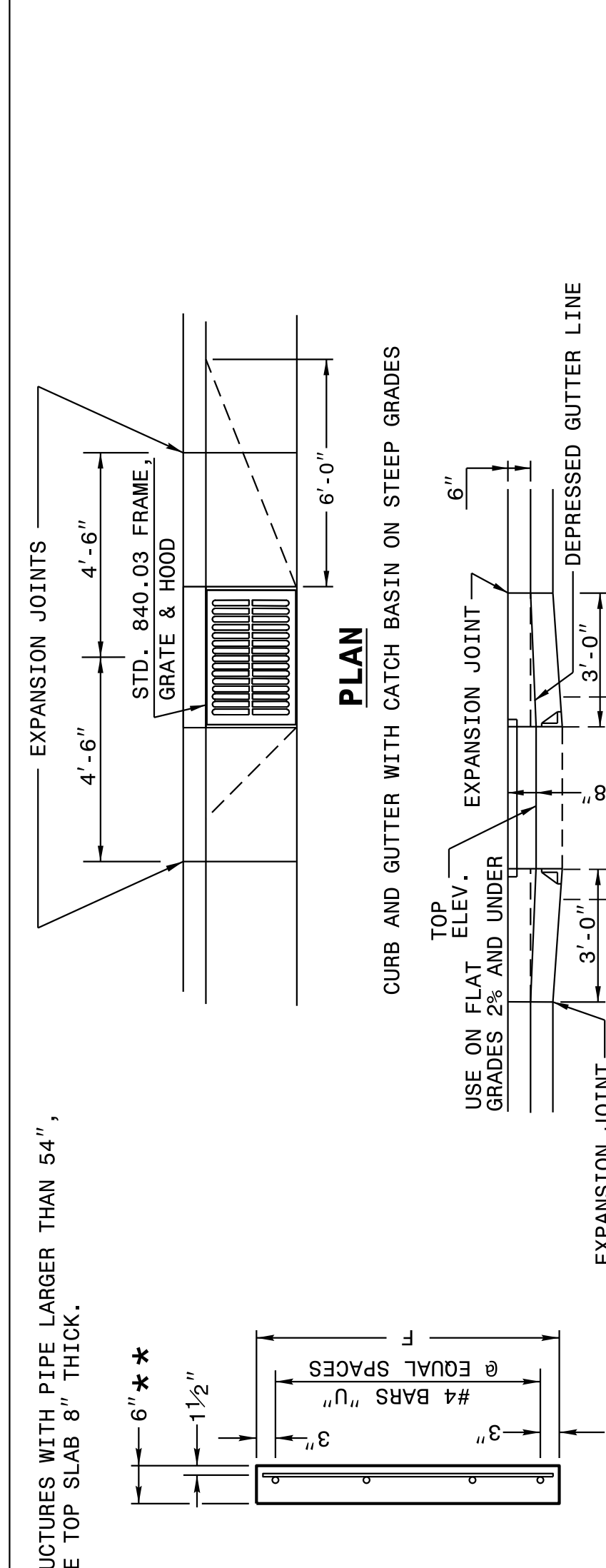
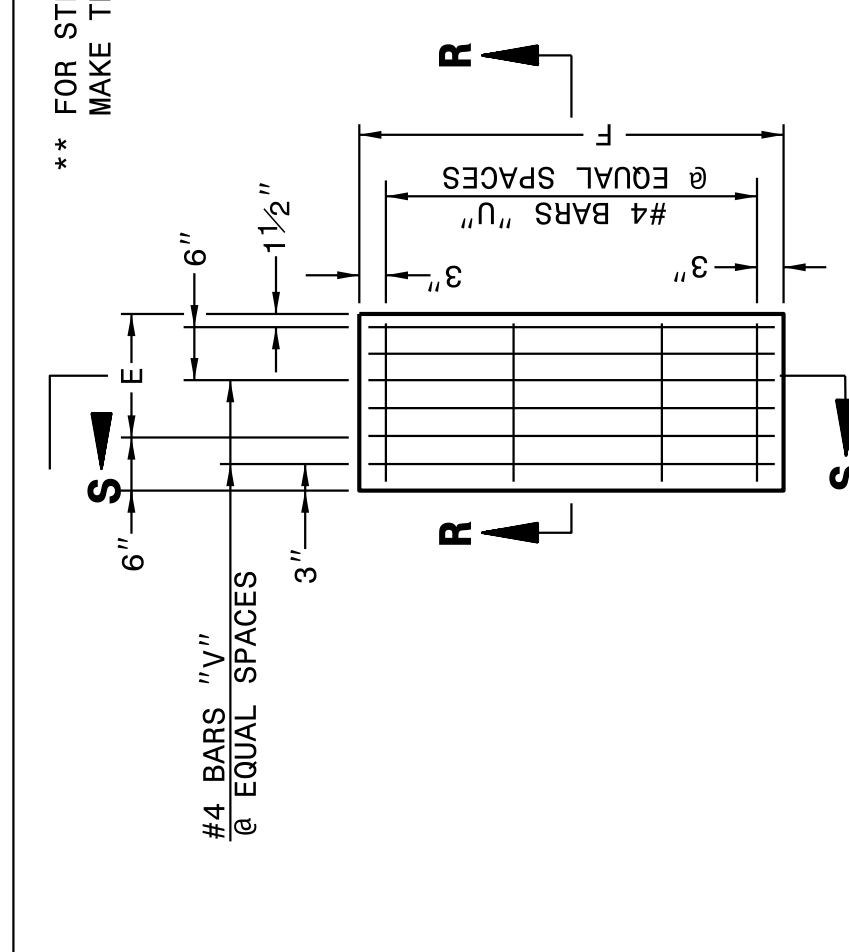


ENGLISH DETAIL DRAWING FOR  
**EXTRA DEPTH  
 CONCRETE CATCH BASIN**  
 12" THRU 84" PIPE

SHEET 1 OF 2  
**840D02**

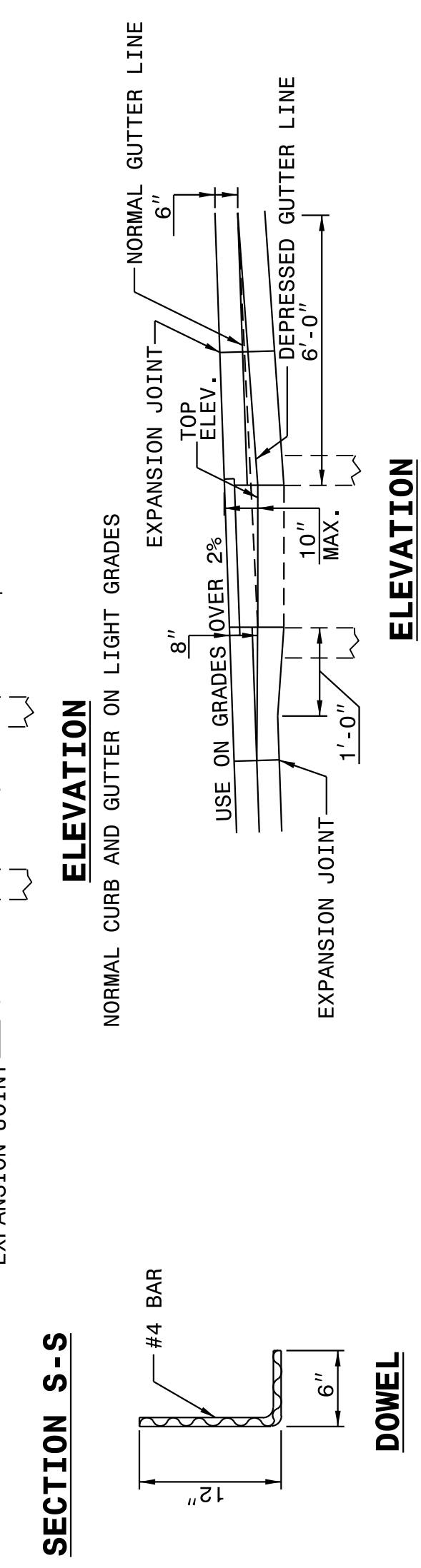
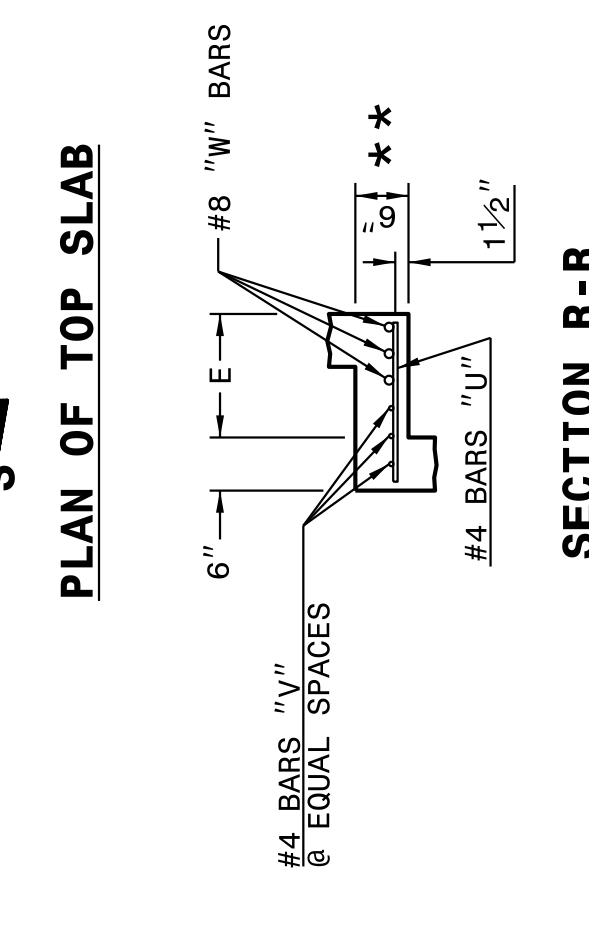
SHEET 1 OF 2  
**840D02**

STATE OF NORTH CAROLINA  
 DEPT. OF TRANSPORTATION  
 DIVISION OF HIGHWAYS  
 RALEIGH, N.C.



STATE OF NORTH CAROLINA  
 DEPT. OF TRANSPORTATION  
 DIVISION OF HIGHWAYS  
 RALEIGH, N.C.

ENGLISH DETAIL DRAWING FOR  
**EXTRA DEPTH  
 CONCRETE CATCH BASIN**  
 12" THRU 84" PIPE



EXPANSION JOINTS  
 CURB AND GUTTER WITH CATCH BASIN ON STEEP GRADES  
 ELEVATION  
 NORMAL CURB AND GUTTER ON LIGHT GRADES  
 ELEVATION  
 NORMAL CURB AND GUTTER ON STEEP GRADES

EXPANSION JOINTS  
 CURB AND GUTTER WITH CATCH BASIN ON STEEP GRADES  
 ELEVATION  
 NORMAL CURB AND GUTTER ON LIGHT GRADES  
 ELEVATION  
 NORMAL CURB AND GUTTER ON STEEP GRADES

SHEET 2 OF 2  
**840D02**

SHEET 2 OF 2  
**840D02**

\* RISER HAS .228 CUBIC YARDS OF CONCRETE PER FOOT HEIGHT

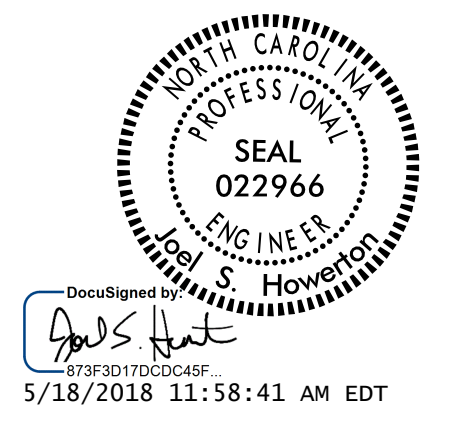
PIPE D.	MINIMUM DIMENSIONS OF BOX AND PIPE		COVER DIMENSION		BARS-U		BARS-V		BARS-W		TOTAL LBS.		DEDUCTIONS	
	SPAN	WIDTH	MIN.	HEIGHT	E	F	NO.	LENGTH	NO.	LENGTH	NO.	LENGTH	TOP SLAB	CONC. IN BOX
12"	3'-0"	2'-2"	2'-0"	2'-3"	..	..	..	..	..	..	..	..	0.235	0.772
15"	3'-0"	2'-2"	2'-0"	2'-3"	..	..	..	..	..	..	..	..	0.235	0.829
18"	3'-0"	2'-2"	2'-0"	2'-3"	..	..	..	..	..	..	..	..	0.235	0.887
24"	3'-0"	2'-2"	2'-0"	2'-3"	..	..	..	..	..	..	..	..	0.235	1.001
30"	3'-0"	2'-2"	2'-0"	2'-3"	..	..	..	..	..	..	..	..	0.235	1.114
36"	3'-0"	2'-2"	2'-0"	2'-3"	..	..	..	..	..	..	..	..	0.235	1.228
42"	3'-0"	2'-2"	2'-0"	2'-3"	..	..	..	..	..	..	..	..	0.235	1.342
48"	3'-0"	2'-2"	2'-0"	2'-3"	..	..	..	..	..	..	..	..	0.235	1.456
54"	3'-0"	2'-2"	2'-0"	2'-3"	..	..	..	..	..	..	..	..	0.235	1.570
60"	3'-0"	2'-2"	2'-0"	2'-3"	..	..	..	..	..	..	..	..	0.235	1.684
66"	3'-0"	2'-2"	2'-0"	2'-3"	..	..	..	..	..	..	..	..	0.235	1.798
72"	3'-0"	2'-2"	2'-0"	2'-3"	..	..	..	..	..	..	..	..	0.235	1.912
78"	3'-0"	2'-2"	2'-0"	2'-3"	..	..	..	..	..	..	..	..	0.235	2.026
84"	3'-0"	2'-2"	2'-0"	2'-3"	..	..	..	..	..	..	..	..	0.235	2.140

ORIGINAL BY: 2002 Std.840.01 DATE: \_\_\_\_\_  
 MODIFIED BY: E.E. WARD DATE: 3-1-02  
 CHECKED BY: \_\_\_\_\_ DATE: \_\_\_\_\_  
 FILE SPEC.: jhowerton/840d02 Extra\_Depth CB.dgn

CONTRACT STANDARDS AND DEVELOPMENT UNIT  
 Office 919-707-6950 FAX 919-250-4119

**SEE PLATE FOR TITLE**

DOCUMENT NOT CONSIDERED FINAL UNLESS ALL SIGNATURES COMPLETED



5/18/2018 11:58:41 AM EDT