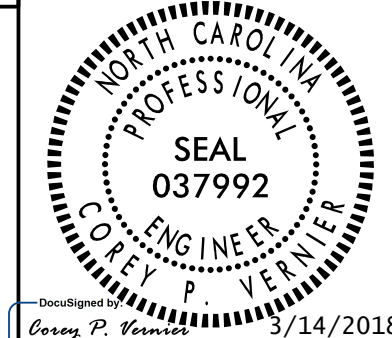
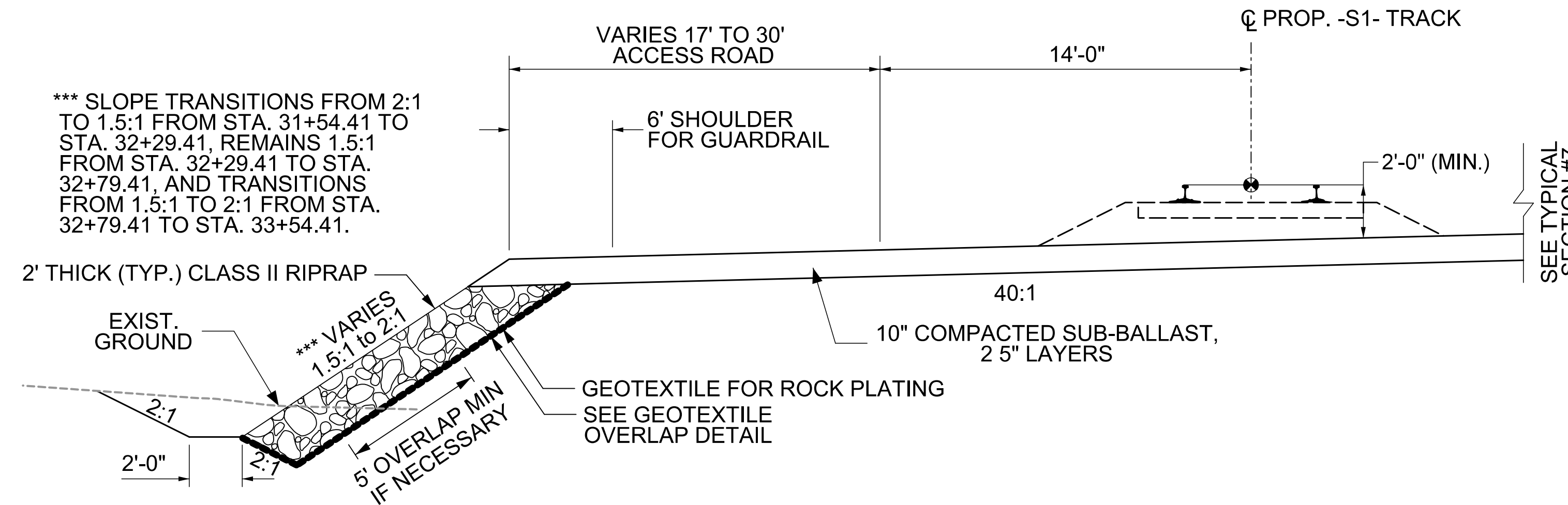


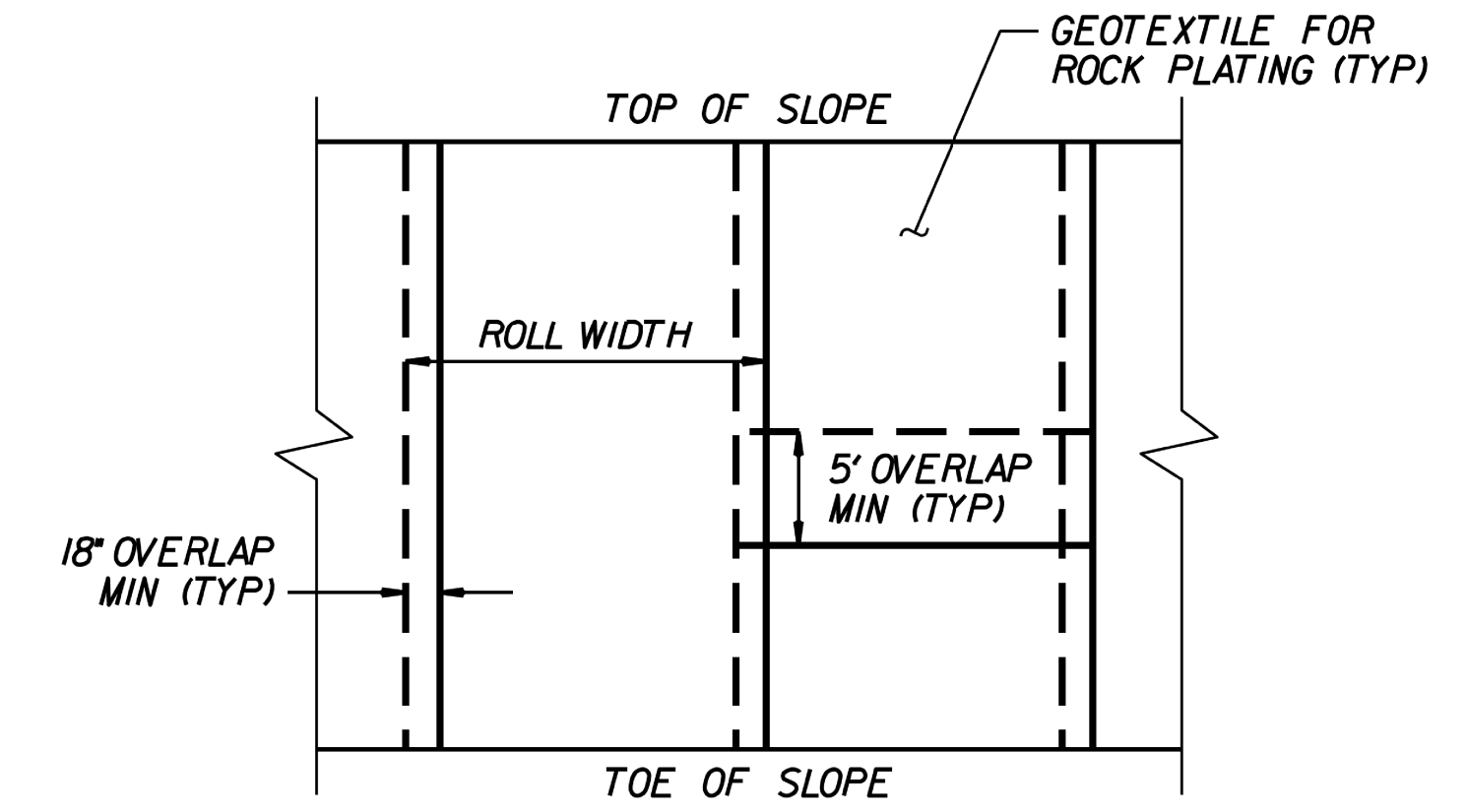
ROCK PLATING DETAILS

(NOT TO SCALE)

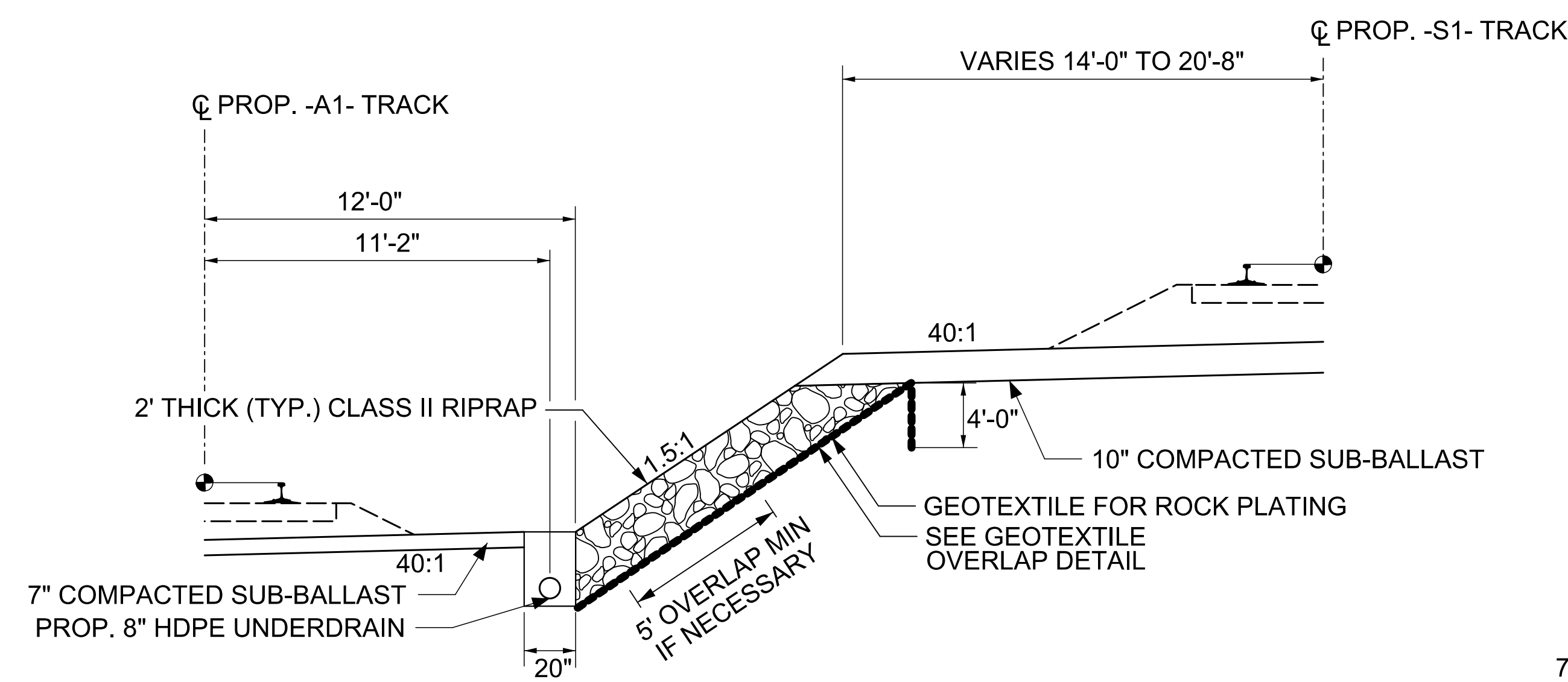
HNTB HNTB NORTH CAROLINA, P.C. 343 E. Six Forks Road, Suite 200 Raleigh, North Carolina 27609 NC License No: C-1554	PROJECT REFERENCE NO. P-5705BA	SHEET NO. 2V
	DATE: MARCH 16, 2018	
RAILROAD DESIGN ENGINEER 		



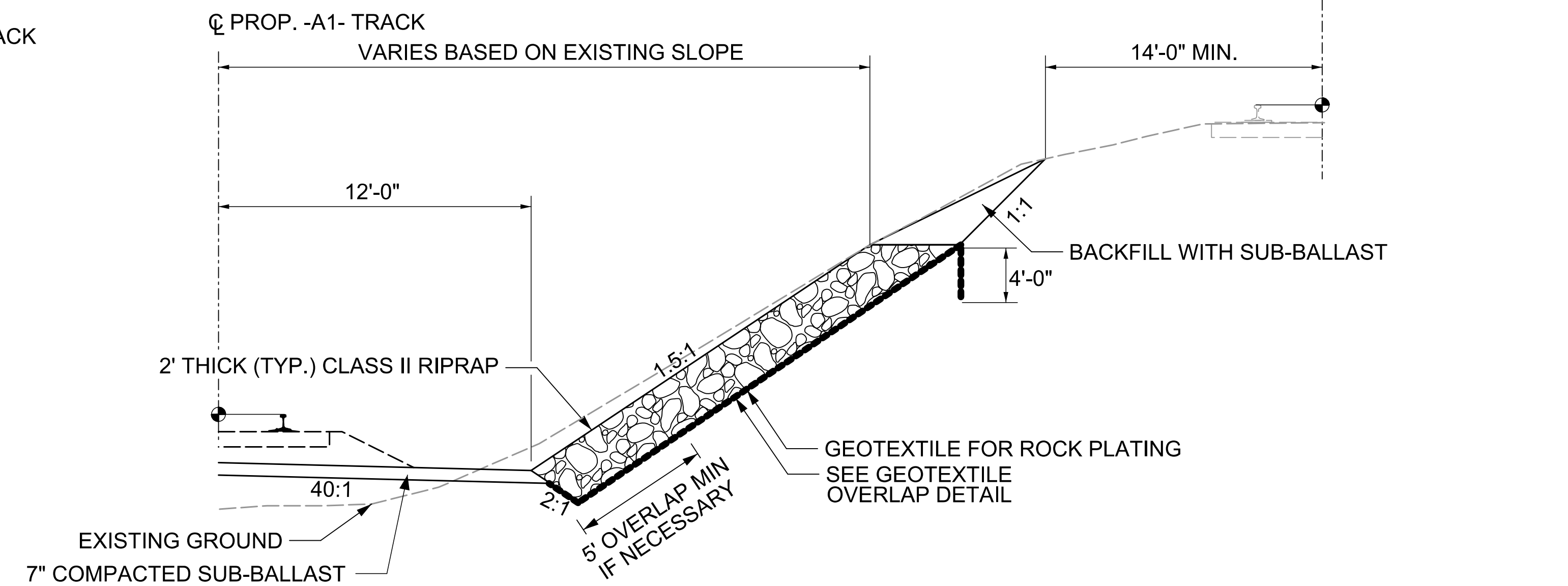
-S1- STA. 31+54.41 THRU 33+54.41



**GEOTEXTILE OVERLAP DETAIL
(PLAN VIEW)**



**-S1- STA. 40+43.92 THRU 41+90.37
(-A1- STA. 40+43.92 THRU 41+89.10)**



**-S1- STA. 44+90.00 THRU 46+00.00
(-A1- STA. 44+88.73 THRU 45+98.74)**