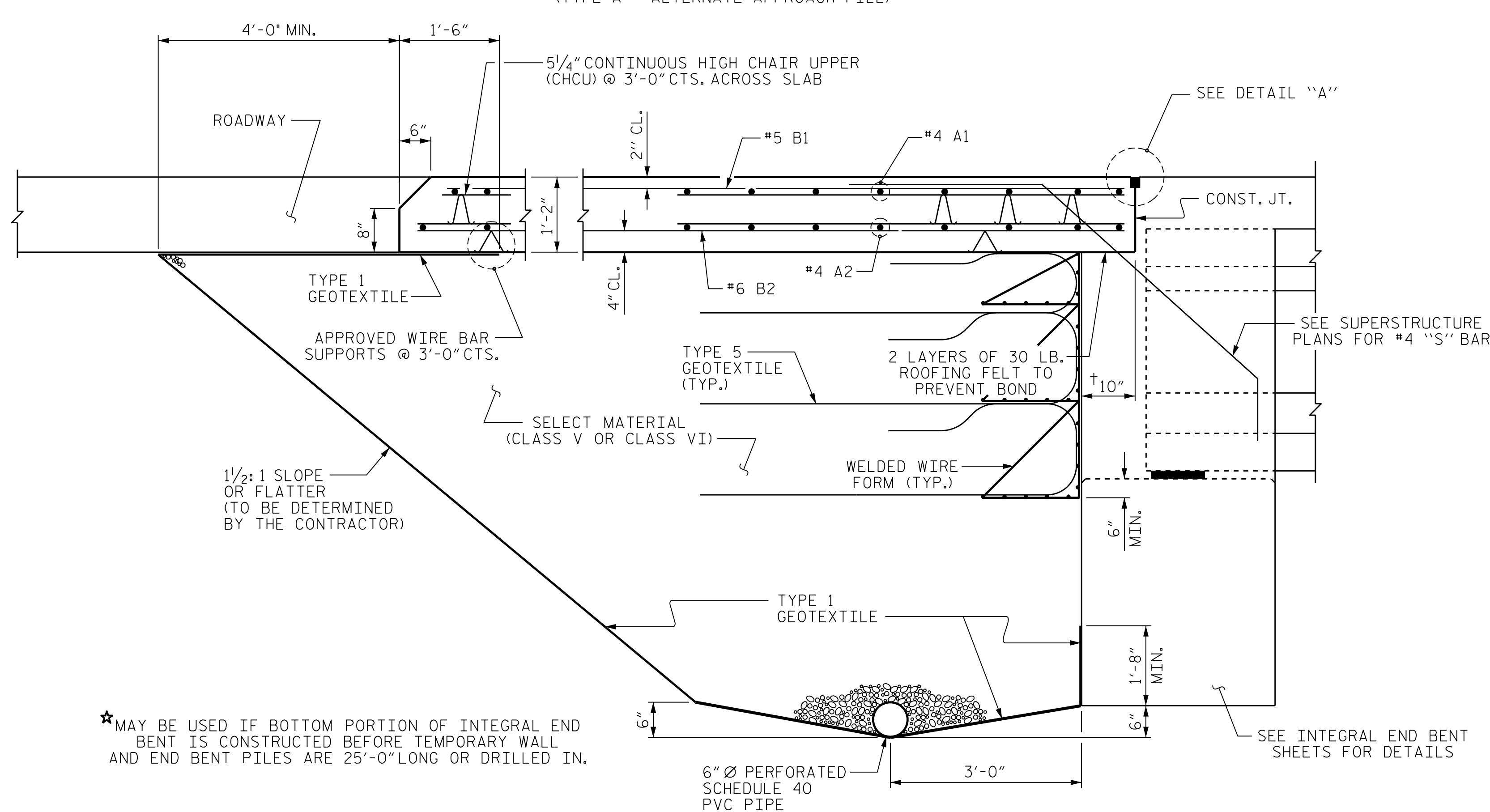
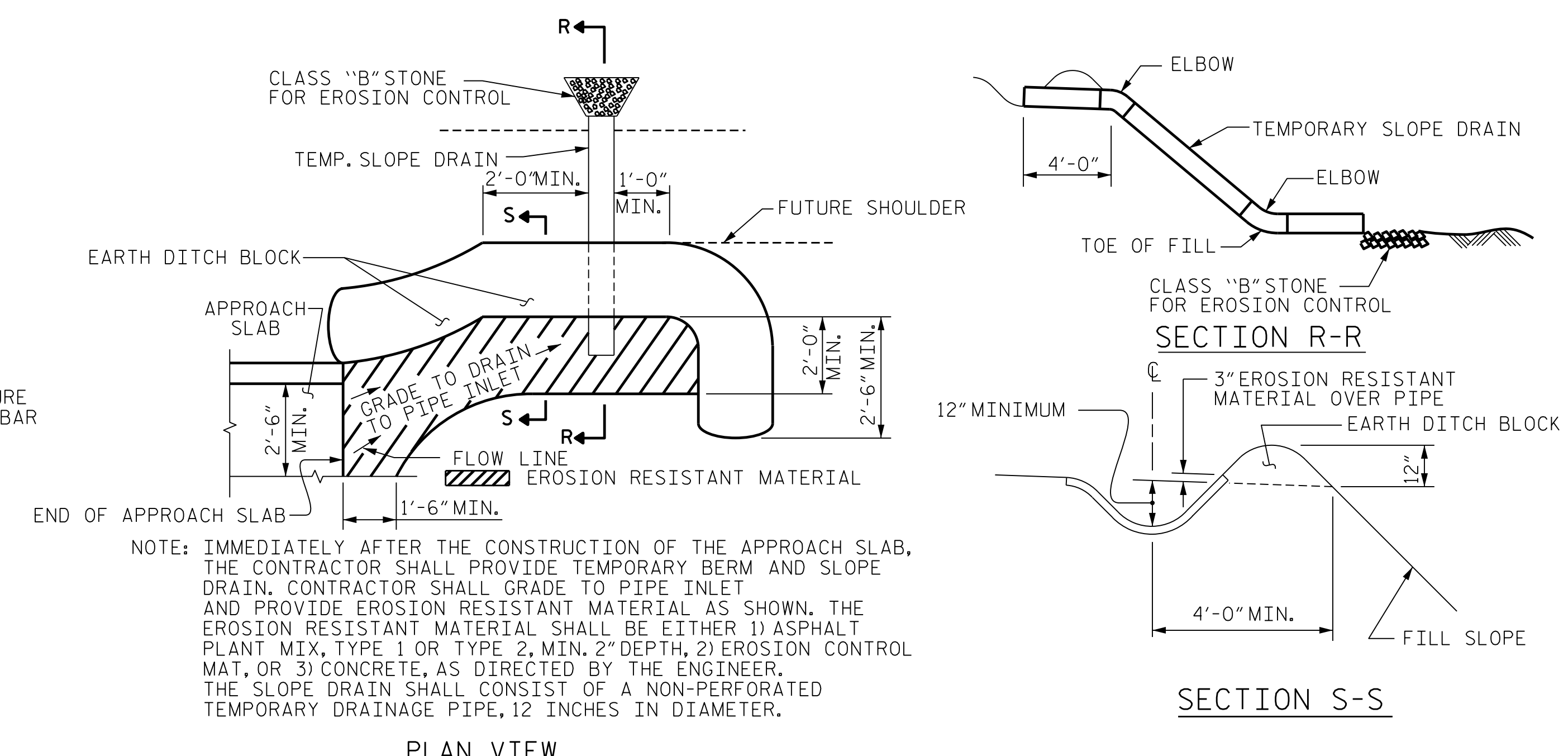


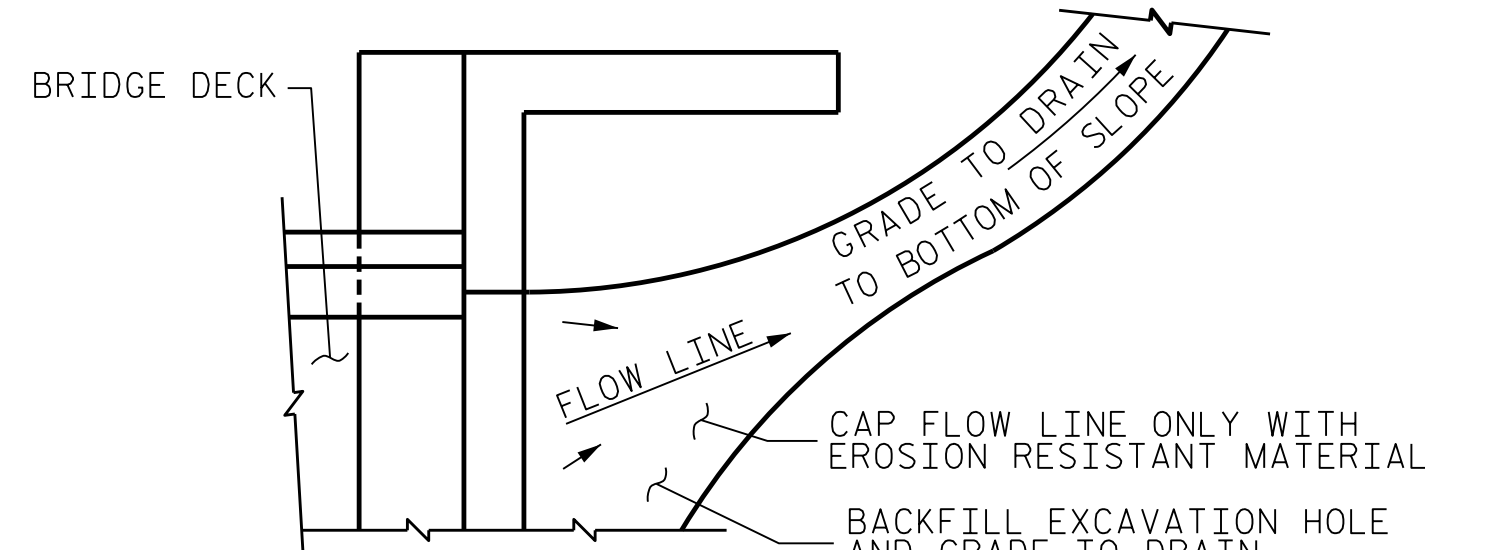
SECTION THRU SLAB
(TYPE A - ALTERNATE APPROACH FILL)



SECTION THRU SLAB
(TYPE A - ALTERNATE APPROACH FILL)



TEMPORARY BERM AND SLOPE DRAIN DETAILS
(TO BE USED WHEN SHOULDER BERM GUTTER IS REQUIRED)



NOTE: IF THE APPROACH SLAB IS NOT CONSTRUCTED IMMEDIATELY AFTER THE BACKFILLING OF THE END BENT EXCAVATION, GRADE TO DRAIN TO THE BOTTOM OF THE SLOPE AND PROVIDE EROSION RESISTANT MATERIAL, SUCH AS FIBERGLASS ROVING OR AS DIRECTED BY THE ENGINEER TO PREVENT SOIL EROSION AND TO PROTECT THE AREA ADJACENT TO THE STRUCTURE. THE CONTRACTOR WILL BE REQUIRED TO REMOVE THESE MATERIALS PRIOR TO CONSTRUCTION OF THE APPROACH SLAB.

NOTES

- APPROACH SLAB SHALL NOT BE CONSTRUCTED PRIOR TO COMPLETION OF THE BRIDGE DECK.
- FOR TEMPORARY GEOTEXTILE WALL INCLUDING GEOTEXTILE, 6" Ø DRAINAGE PIPE, WELDED WIRE FORM, AND SELECT MATERIAL, SEE ROADWAY PLANS.
- GEOTEXTILE (TYPE 1 OR TYPE 5) SHALL BE IN ACCORDANCE WITH THE STANDARD SPECIFICATIONS SECTION 1056.
- SELECT MATERIAL BACKFILL (CLASS V OR CLASS VI) SHALL BE IN ACCORDANCE WITH STANDARD SPECIFICATIONS SECTION 1016.
- SELECT MATERIAL BACKFILL IS TO BE CONTINUOUS ALONG FILL FACE OF BACKWALL FROM OUTSIDE EDGE TO OUTSIDE EDGE OF APPROACH SLAB.
- FOR THE 6" Ø DRAINAGE PIPE OUTLET(S), SEE ROADWAY STANDARD DRAWINGS.
- AREA BETWEEN THE WINGWALL AND APPROACH SLAB SHALL BE GRADED TO DRAIN THE WATER AWAY FROM THE FILL FACE OF THE BRIDGE AND SHALL BE PAVED. SEE ROADWAY PLANS.
- THE JOINT OPENING AT THE APPROACH SLAB/DECK INTERFACE SHALL BE SAWED NO MORE THAN 12 HOURS AFTER THE APPROACH SLAB IS CAST. THE JOINT SHALL BE CLEANED OF ALL DEBRIS BEFORE THE SEALANT IS APPLIED. THE JOINT SEALER MATERIAL SHALL CONFORM TO THE REQUIREMENTS OF SECTION 1028-3 OF THE STANDARD SPECIFICATIONS.

PROJECT NO. B-5352
ROCKINGHAM COUNTY
 STATION: P.O.T. 22+16.89 -L-

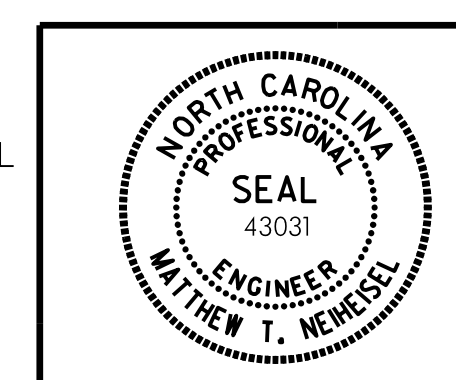
SHEET 2 OF 2

STATE OF NORTH CAROLINA
 DEPARTMENT OF TRANSPORTATION
 RALEIGH

STANDARD
 BRIDGE APPROACH
 SLAB DETAILS

REVISIONS					
BY:	DATE:	NO.	BY:	DATE:	
		3			
		4			

SHEET NO. S-37
 TOTAL SHEETS 37



DocuSigned by:
 Matthew T. Neiheisel
 2/20/2018

ICA Engineering, Inc.
 555 Fayetteville St.,
 Suite 900
 Raleigh, NC 27601
 NC License No: F-0258

PLOT DRIVER: NCDOT STRUCTURES DEFAULT PLOTTER.PH
 PENTABLE: NCDOT STRUCTURES DEFAULT PEN.tbl
 USER: dcarter
 DATE: 2/19/2018
 TIME: 1:45:47 PM
 FILE: ... \structures\dgm\Final\CAD\1401

DRAWN BY: D. H. CARTER DATE: FEB 2018
 CHECKED BY: M. T. NEIHEISEL DATE: FEB 2018
 DESIGN ENGINEER OF RECORD: M. T. NEIHEISEL DATE: FEB 2018