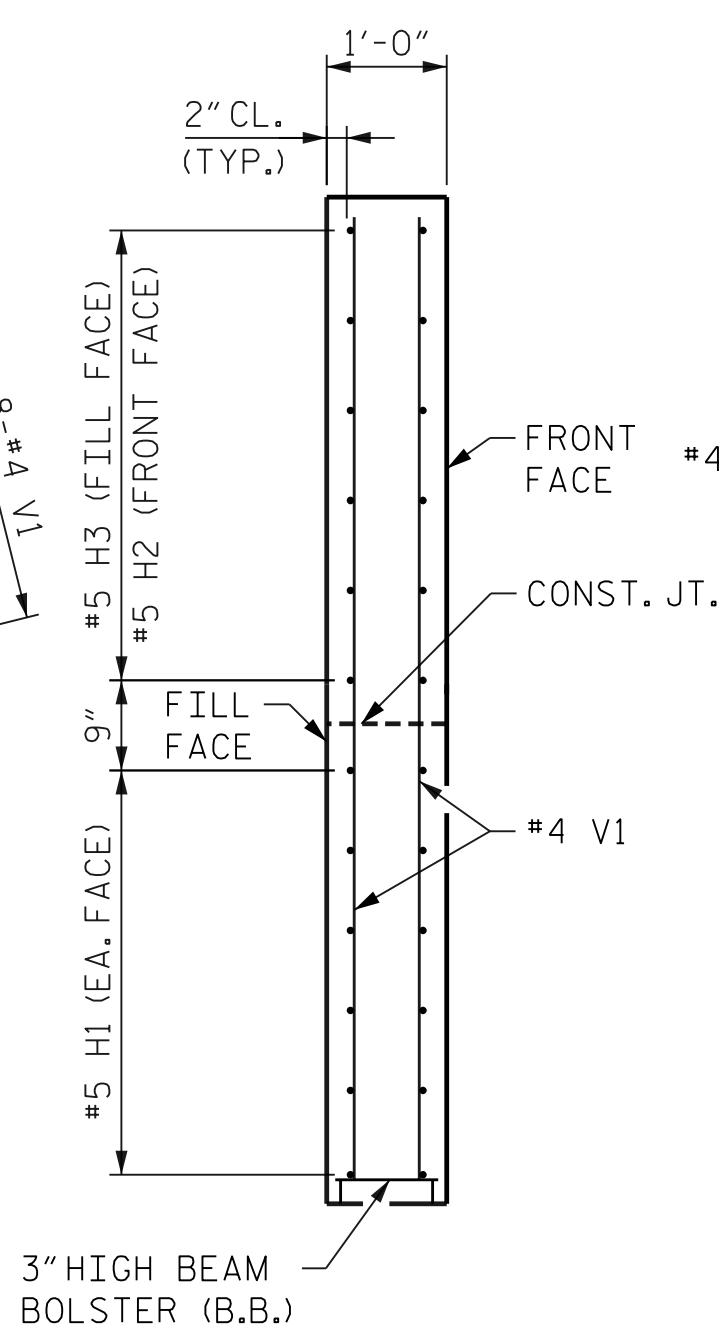
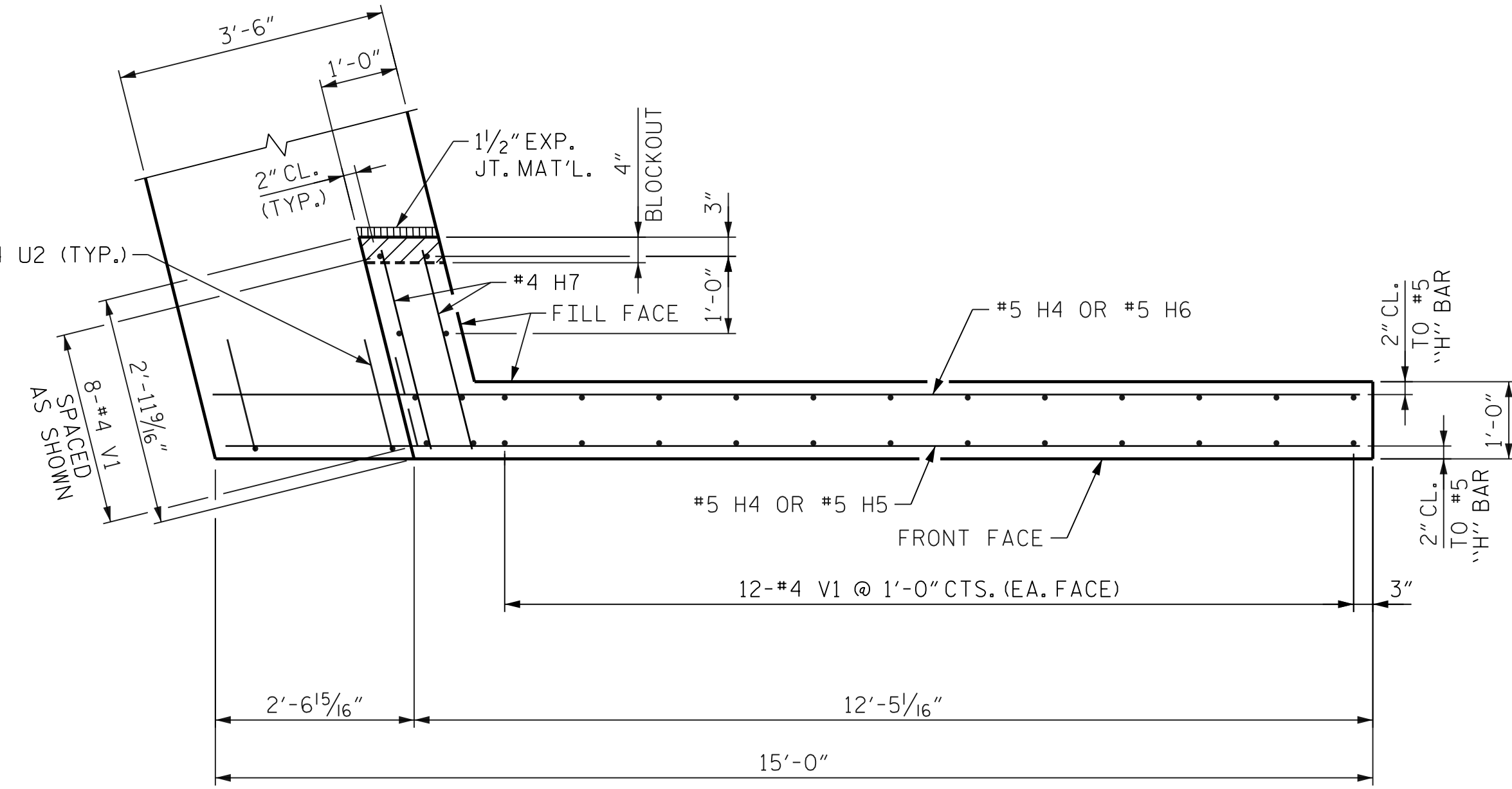


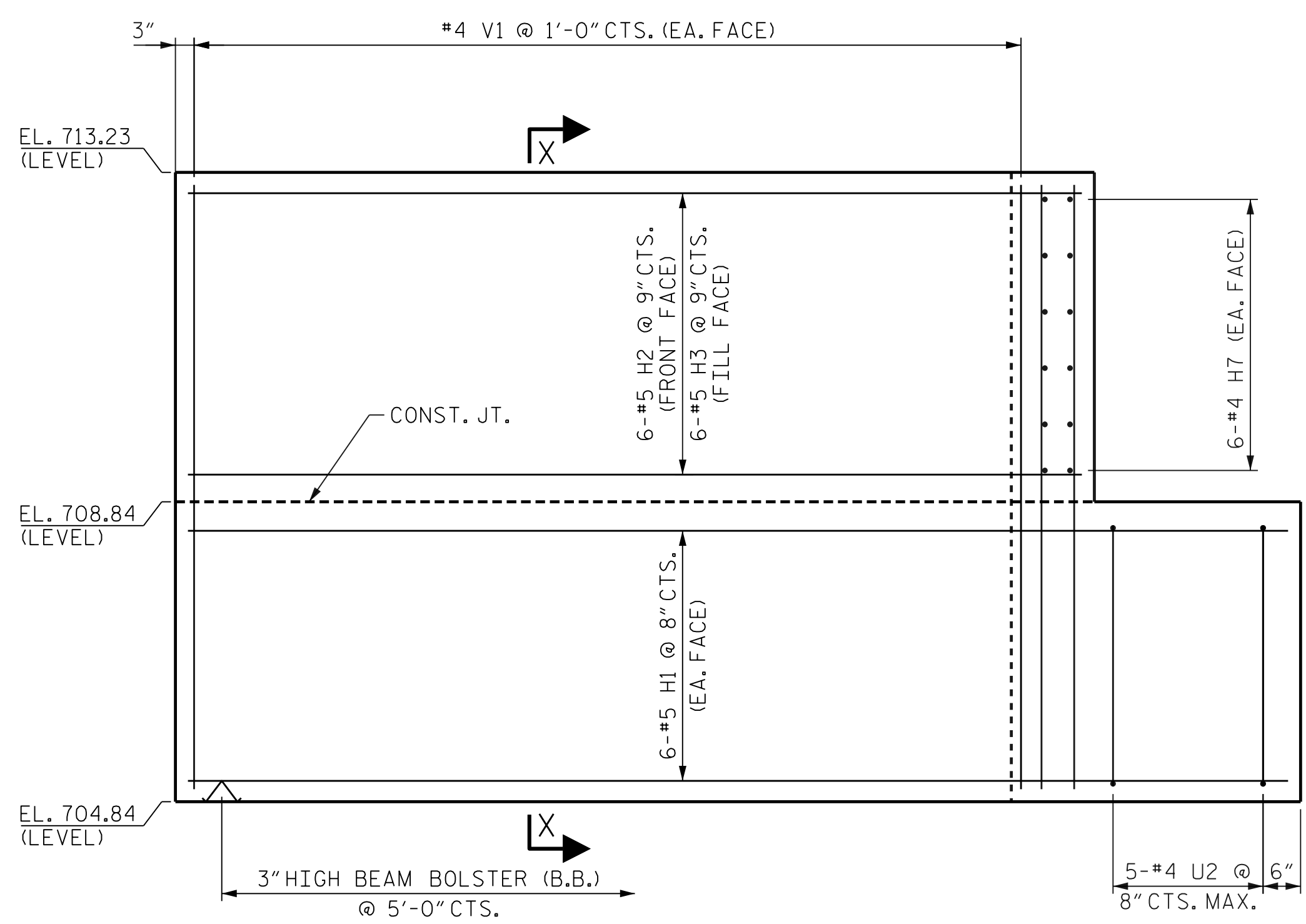
PLAN OF WING (W3)



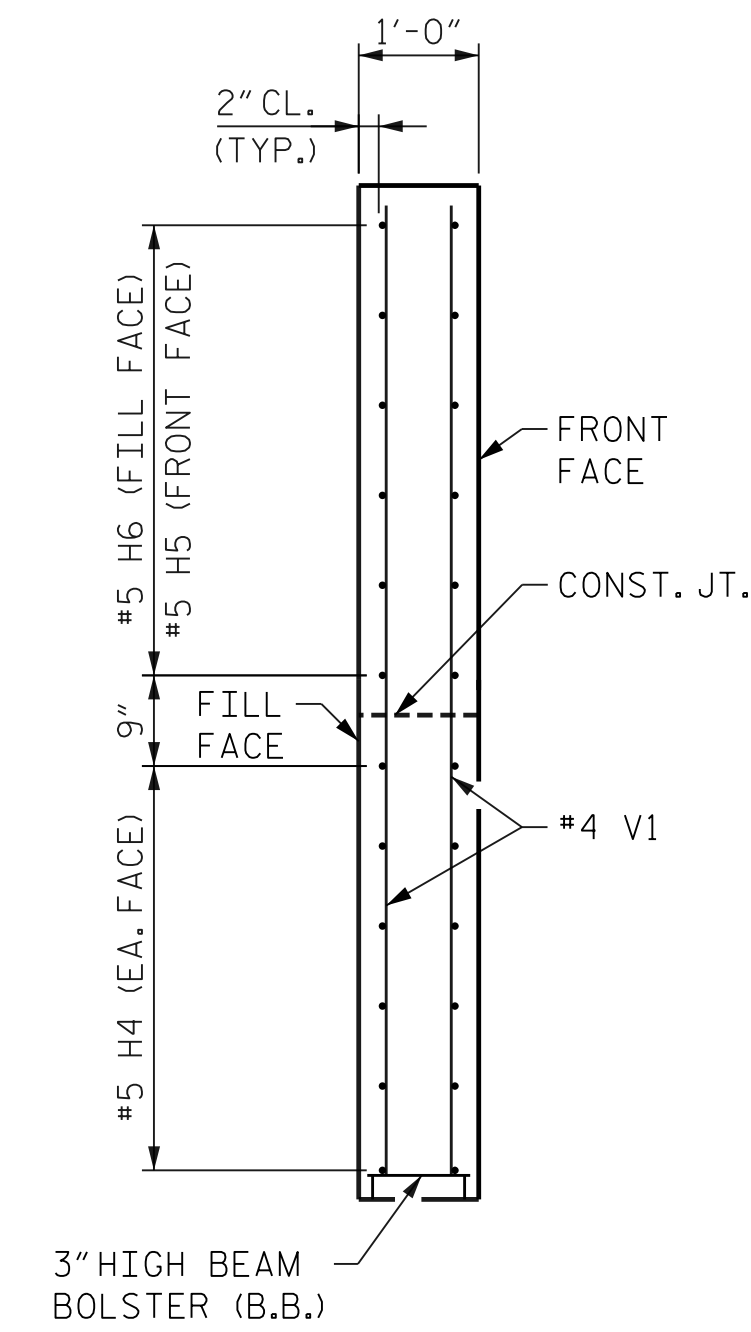
SECTION X-X



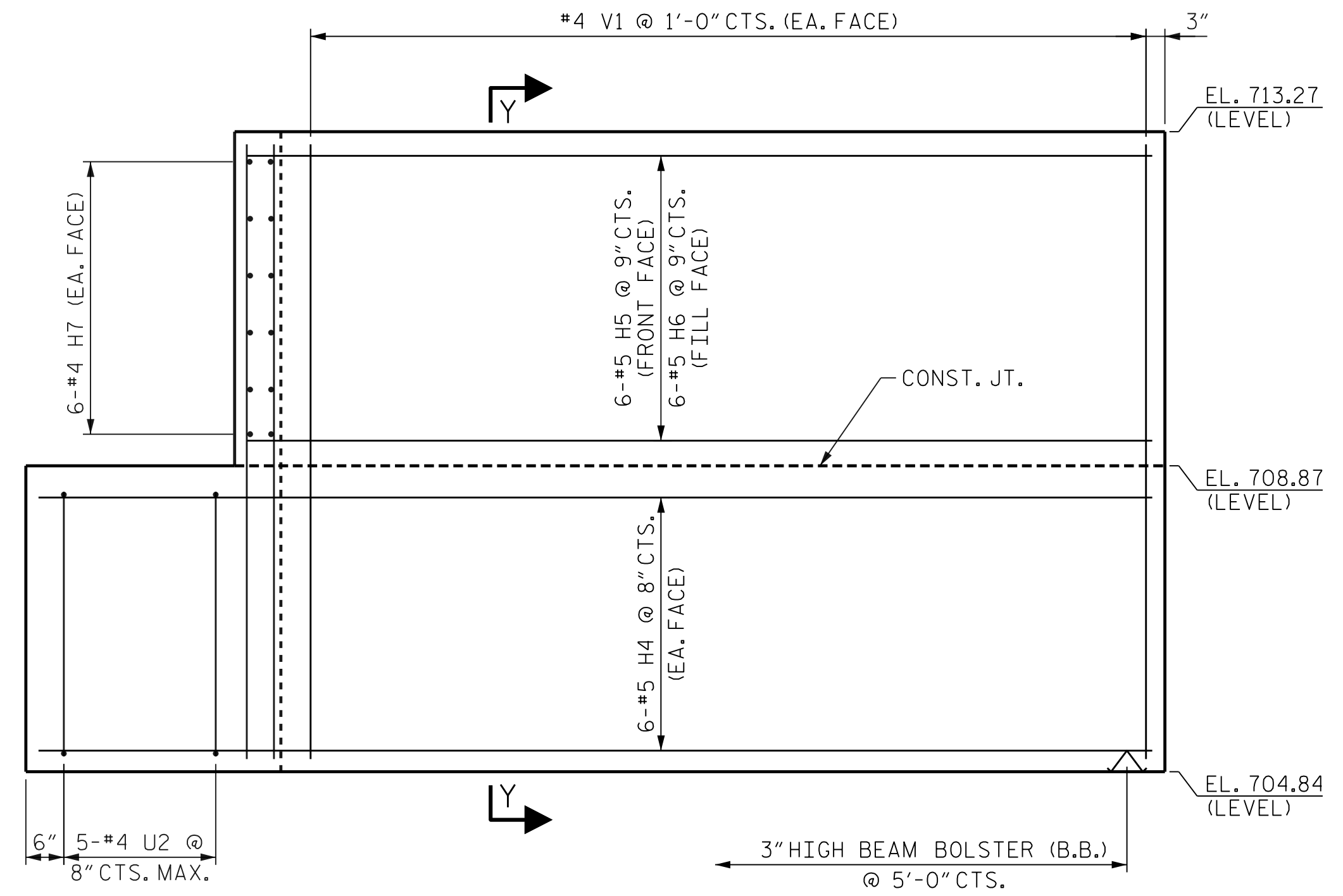
PLAN OF WING (W4)



ELEVATION OF WING (W3)



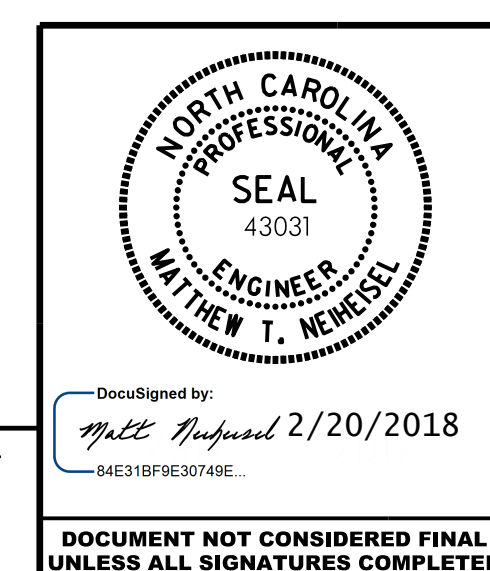
SECTION Y-Y



ELEVATION OF WING (W4)

PROJECT NO. B-5352
 ROCKINGHAM COUNTY
 STATION: P.O.T. 22+16.89 -L-
 SHEET 2 OF 3

STATE OF NORTH CAROLINA DEPARTMENT OF TRANSPORTATION RALEIGH					
SUBSTRUCTURE END BENT 2 WING WALL DETAILS					
REVISIONS					
BY:	DATE:	NO.	BY:	DATE:	SHEET NO.
		3			S-33
		4			TOTAL SHEETS 37



PLOT DRIVER: NCDOT_STRUCTURES_DEFAULT_PLOTTER.plt
 USER: dcarter
 DATE: 2/19/2018
 TIME: 1:45:25 PM
 FILE: ... \Structures\dgm\Final\CAD\1191

DRAWN BY : D. H. CARTER DATE : FEB 2018
 CHECKED BY : M. T. NEIHEISEL DATE : FEB 2018
 DESIGN ENGINEER OF RECORD: M. T. NEIHEISEL DATE : FEB 2018