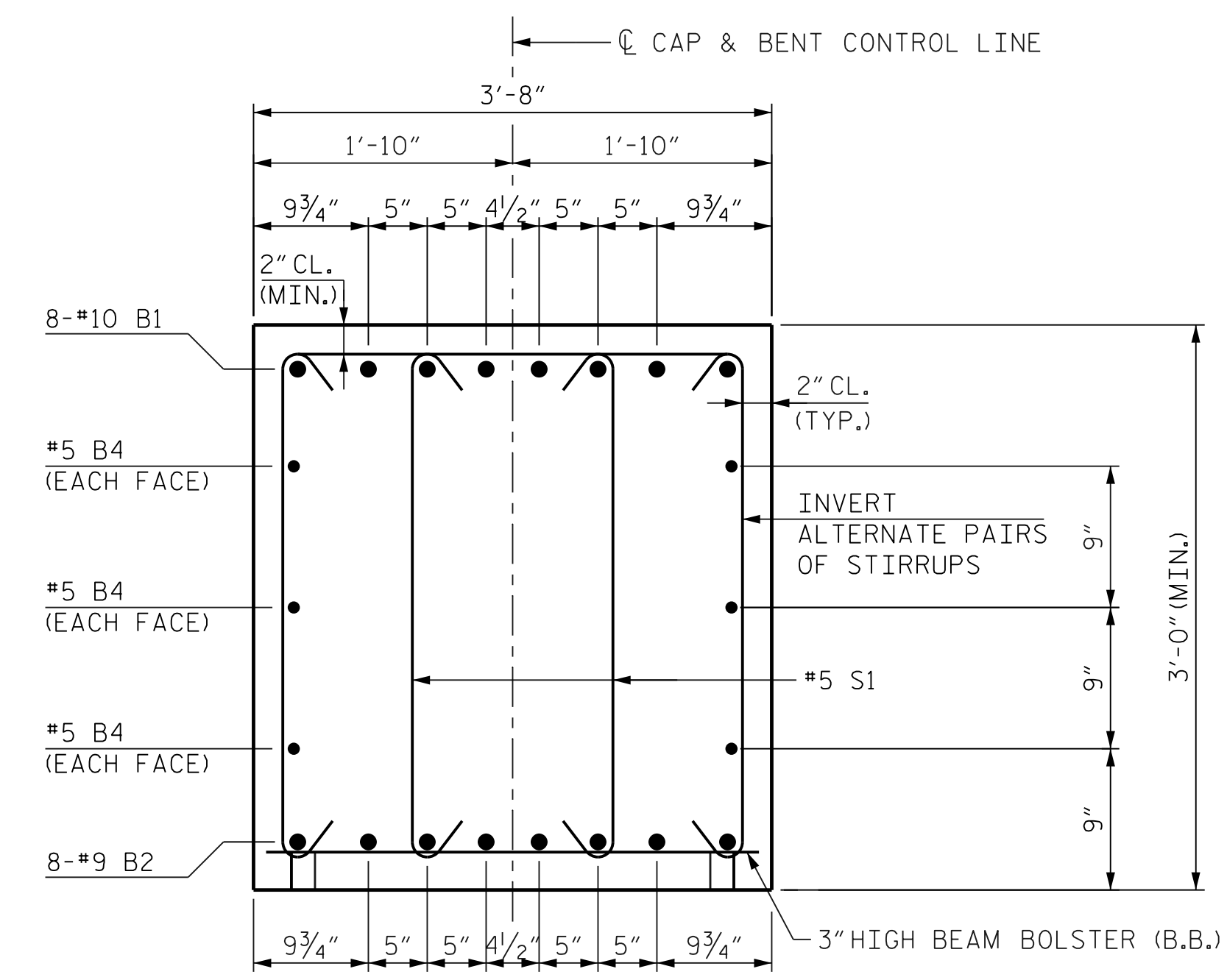
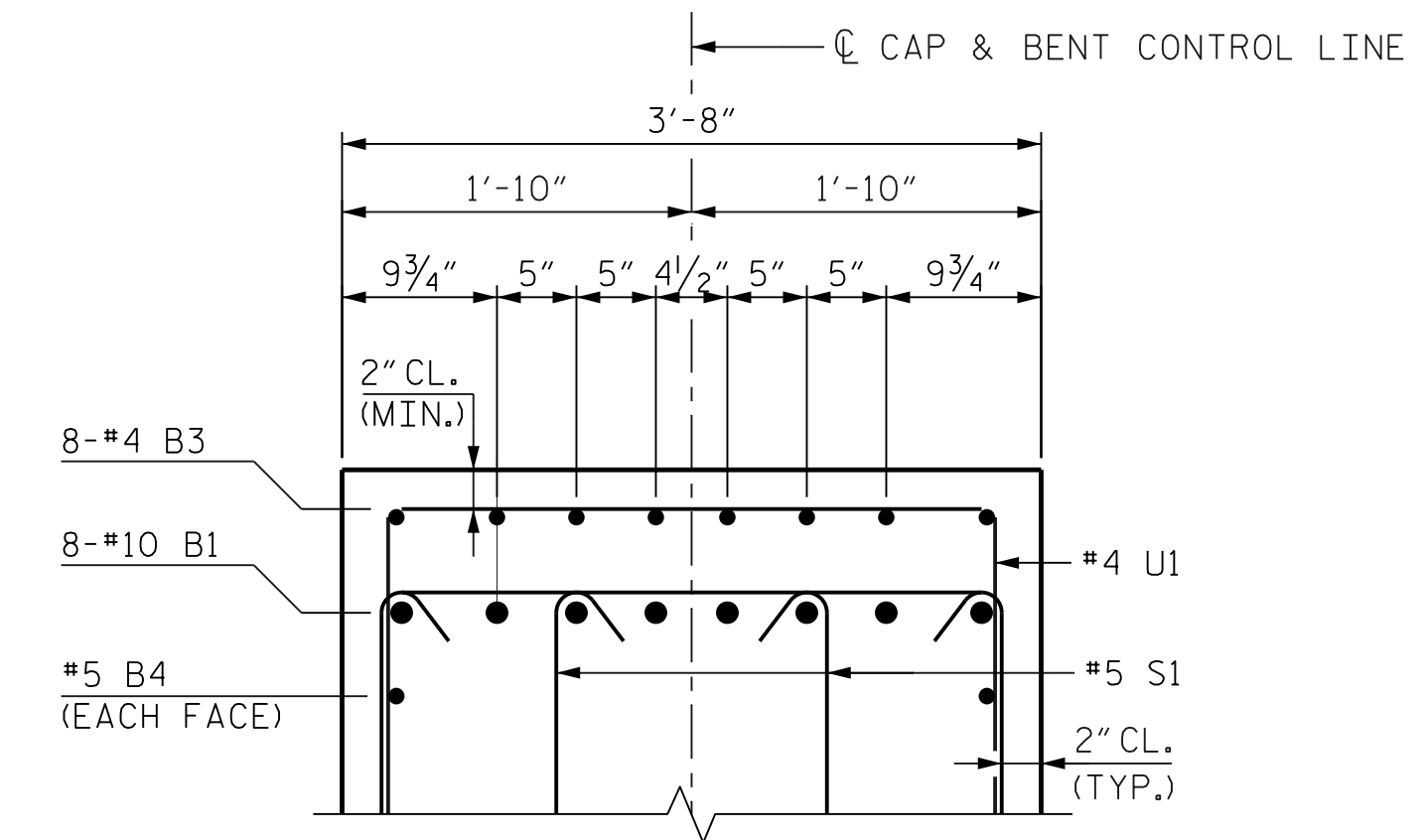


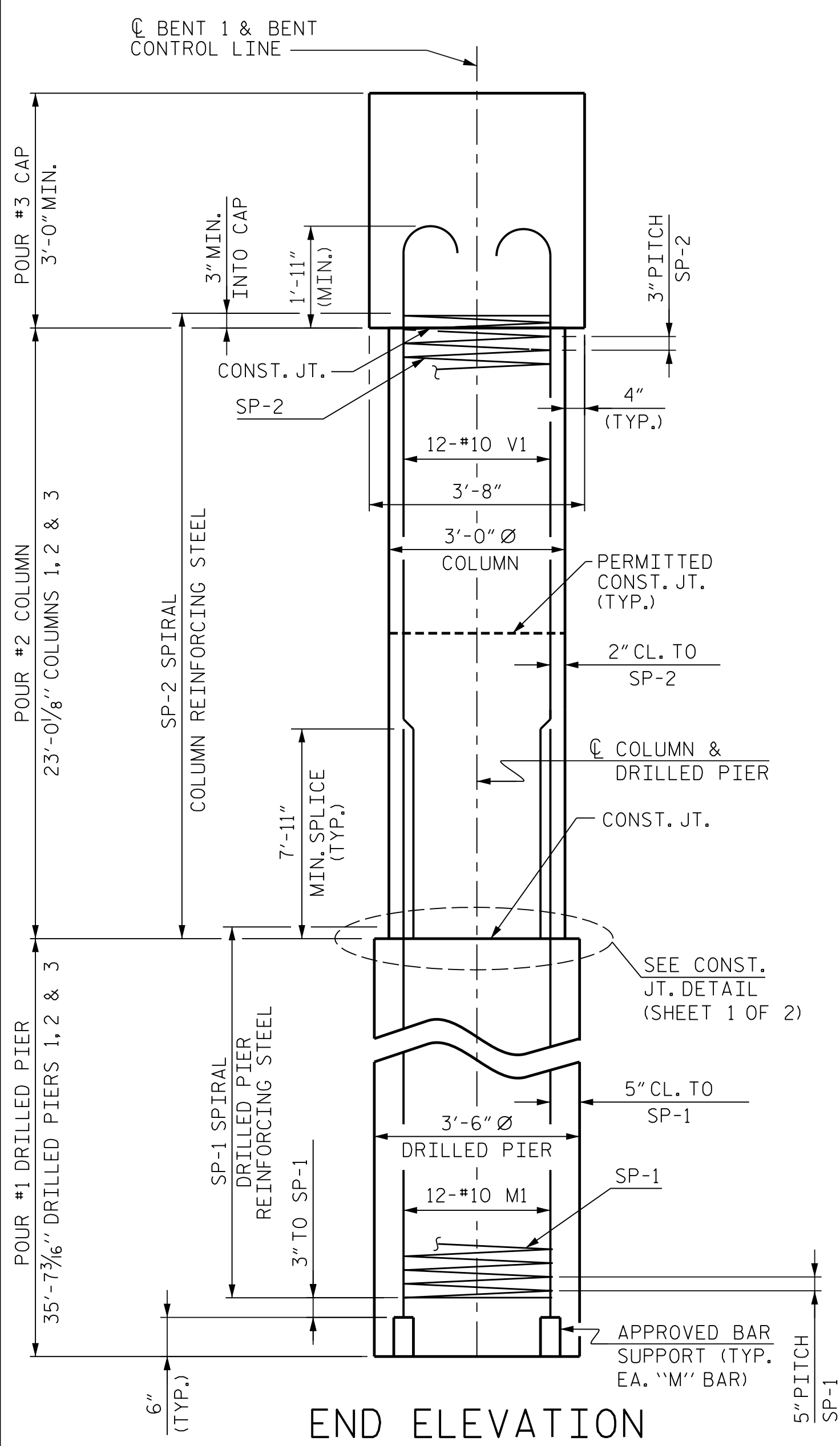
END OF CAP DETAIL
(TYPICAL BOTH ENDS)



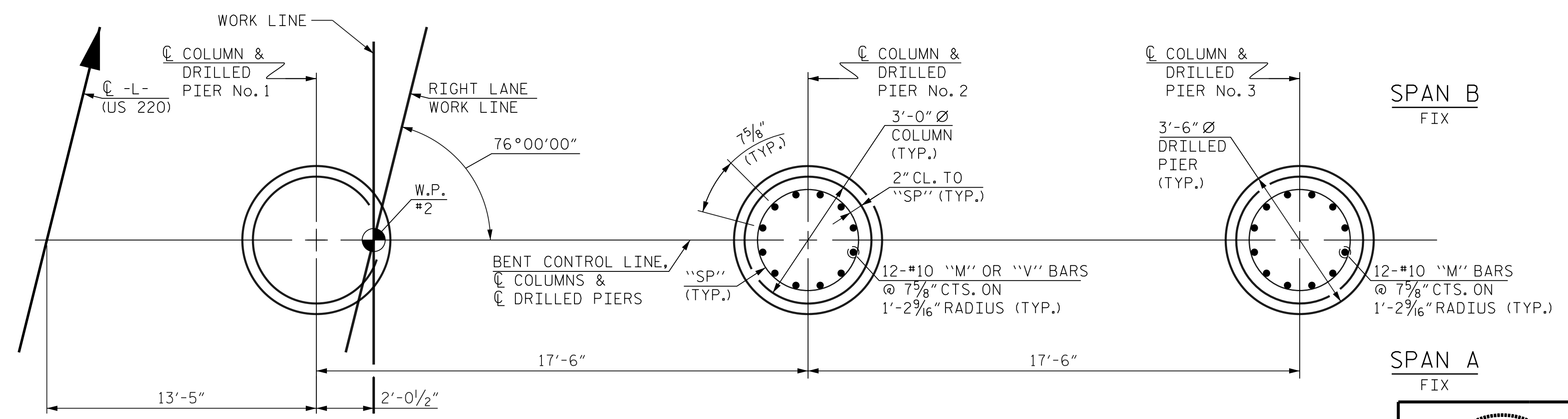
SECTION A-A



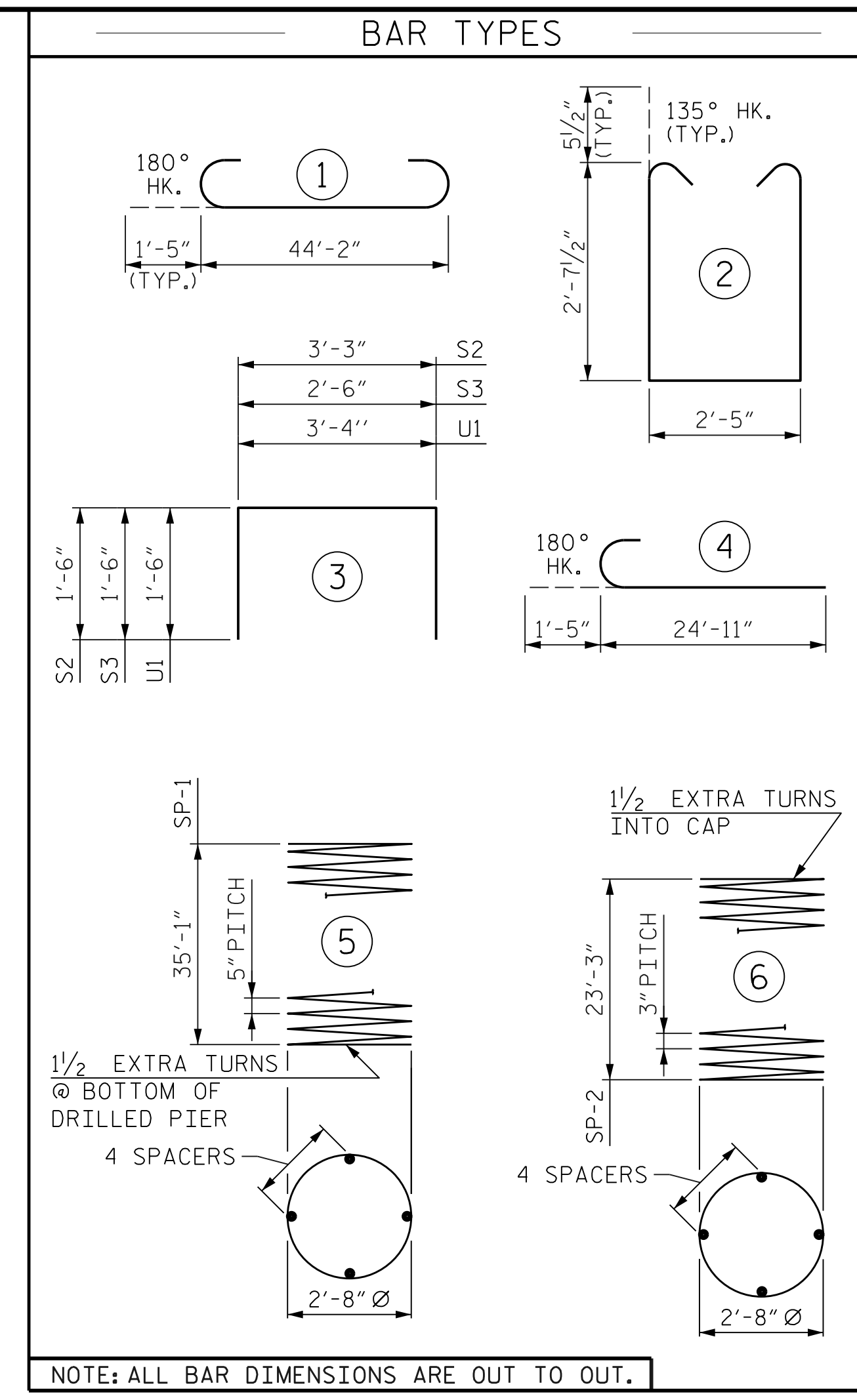
SECTION B-B



END ELEVATION



PLAN OF DRILLED PIERS & COLUMNS
(DETAILS ARE TYPICAL EACH DRILLED PIER & COLUMN)



NOTE: ALL BAR DIMENSIONS ARE OUT TO OUT.

BILL OF MATERIAL					
BENT 1					
BAR	NO.	SIZE	TYPE	LENGTH	WEIGHT
B1	8	#10		47'-0"	1,618
B2	8	#9	STR	44'-2"	1,201
B3	8	#4	STR	11'-5"	61
B4	6	#5	STR	44'-2"	276
M1	36	#10	STR	46'-1"	7,139
S1	108	#5	2	8'-7"	967
S2	6	#4	3	6'-3"	25
S3	8	#4	3	5'-6"	29
U1	45	#4	3	6'-4"	190
V1	36	#10	4	26'-4"	4,079
REINFORCING STEEL					15,585 LBS.
BAR	NO.	SIZE	TYPE	LENGTH	WEIGHT
SP-1	3	*	5	705'-4"	2,207
SP-2	3	**	6	781'-9"	1,567
SPIRAL COLUMN REINFORCING STEEL					3,774 LBS.
CLASS A CONCRETE					
POUR 2 (COLUMNS)					18.1 C.Y.
POUR 3 (CAP)					19.2 C.Y.
TOTAL					37.3 C.Y.
DRILLED PIERS					
POUR 1 (DRILLED PIERS)					38.1 C.Y.
3'-6"Ø DRILLED PIER NOT IN SOIL					30.0 LIN. FT.
3'-6"Ø DRILLED PIER IN SOIL					76.8 LIN. FT.
CSL TUBES					445.2 LIN. FT.

PROJECT NO. B-5352
 ROCKINGHAM COUNTY
 STATION: P.O.T. 22+16.89 -L-
 SHEET 2 OF 2



STATE OF NORTH CAROLINA
 DEPARTMENT OF TRANSPORTATION
 RALEIGH
SUBSTRUCTURE
 BENT 1
 DETAILS AND
 BILL OF MATERIAL

DRAWN BY: D. H. CARTER DATE: FEB 2018
 CHECKED BY: M. T. NEIHEISEL DATE: FEB 2018
 DESIGN ENGINEER OF RECORD: M. T. NEIHEISEL DATE: FEB 2018

ICA Engineering, Inc.
 555 Fayetteville St.,
 Suite 900
 Raleigh, NC 27601
 NC License No: F-0258

REVISIONS			
NO.	DATE	BY	DATE
3			
4			

SHEET NO.
 S-29
 TOTAL SHEETS
 37

PLOT DRIVER: NCDOT STRUCTURES DEFAULT PLOTTER.PHT PENTABLE: NCDOT STRUCTURES DEFAULT PEN.tbl
 USER: dcarTer DATE: 2/19/2018 TIME: 1:45:01 PM
 FILE: ... \Structures\dgm\Final\CAD\1111