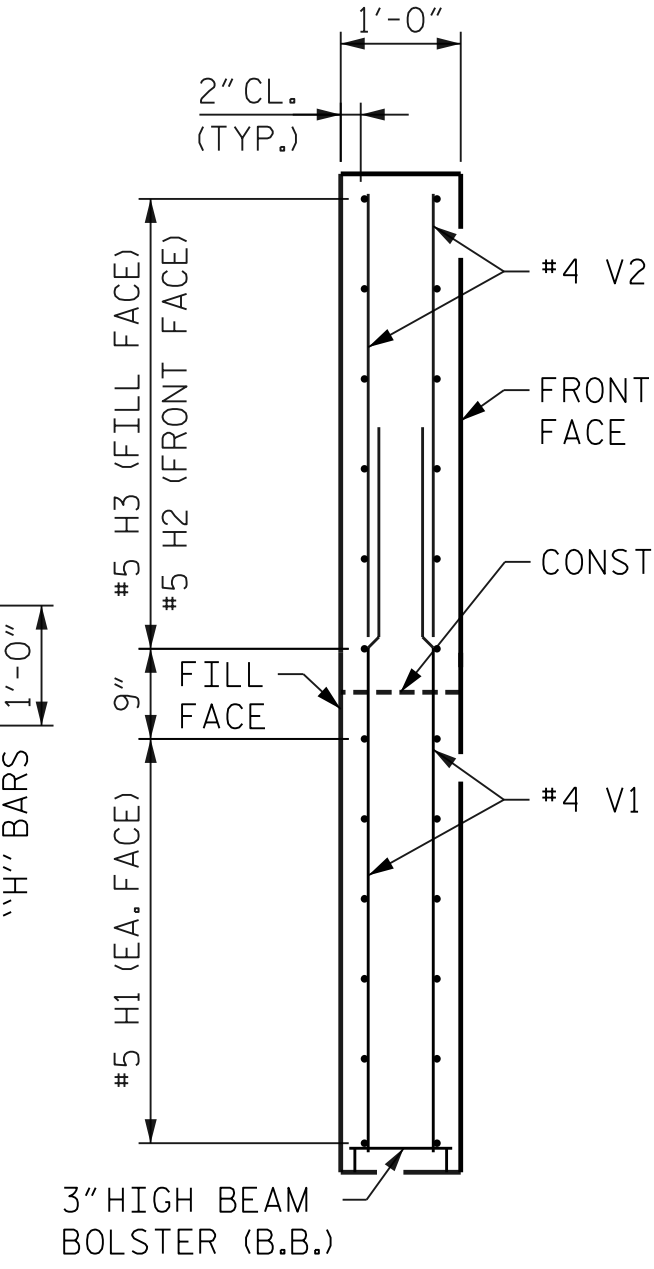
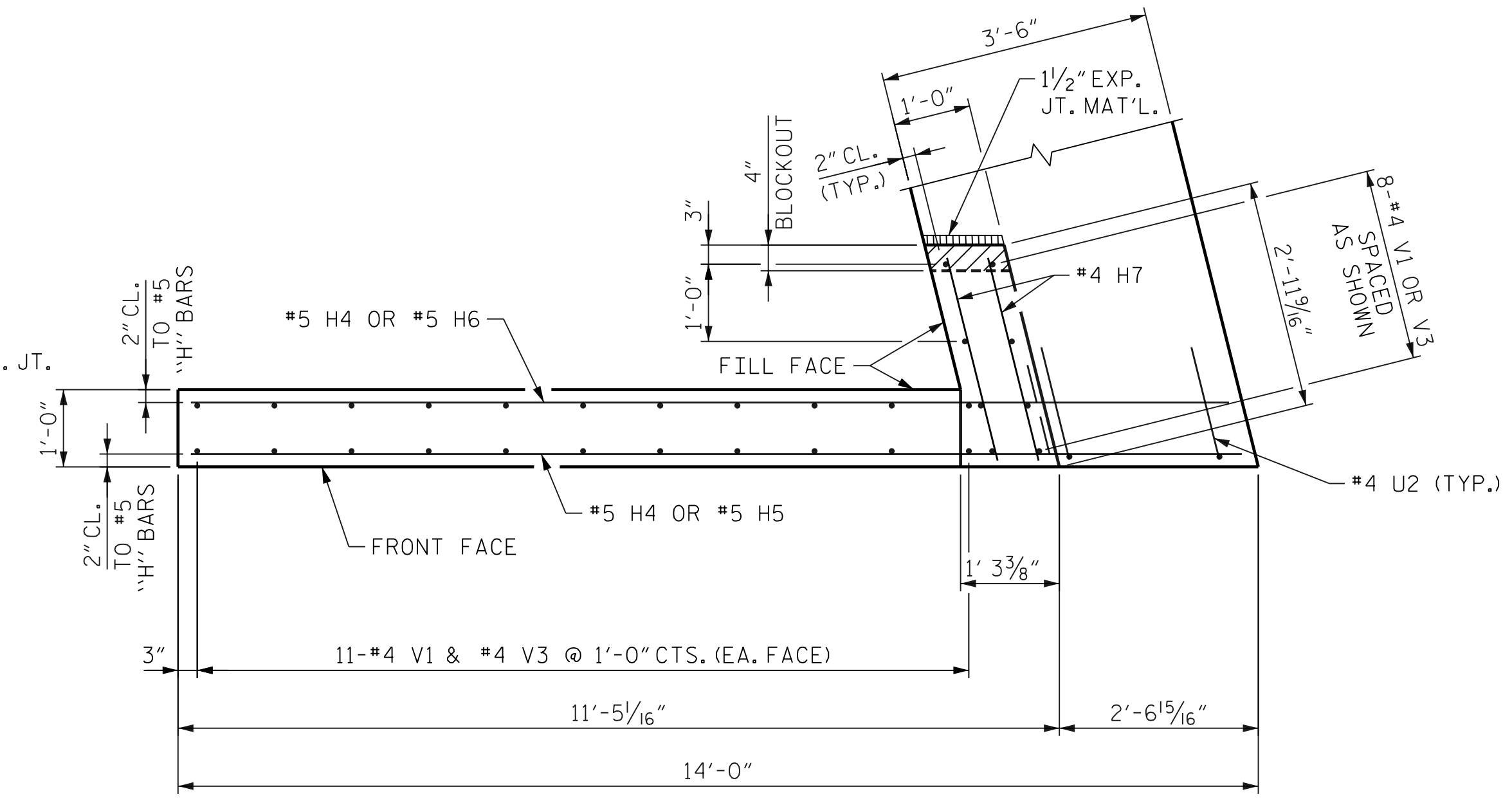


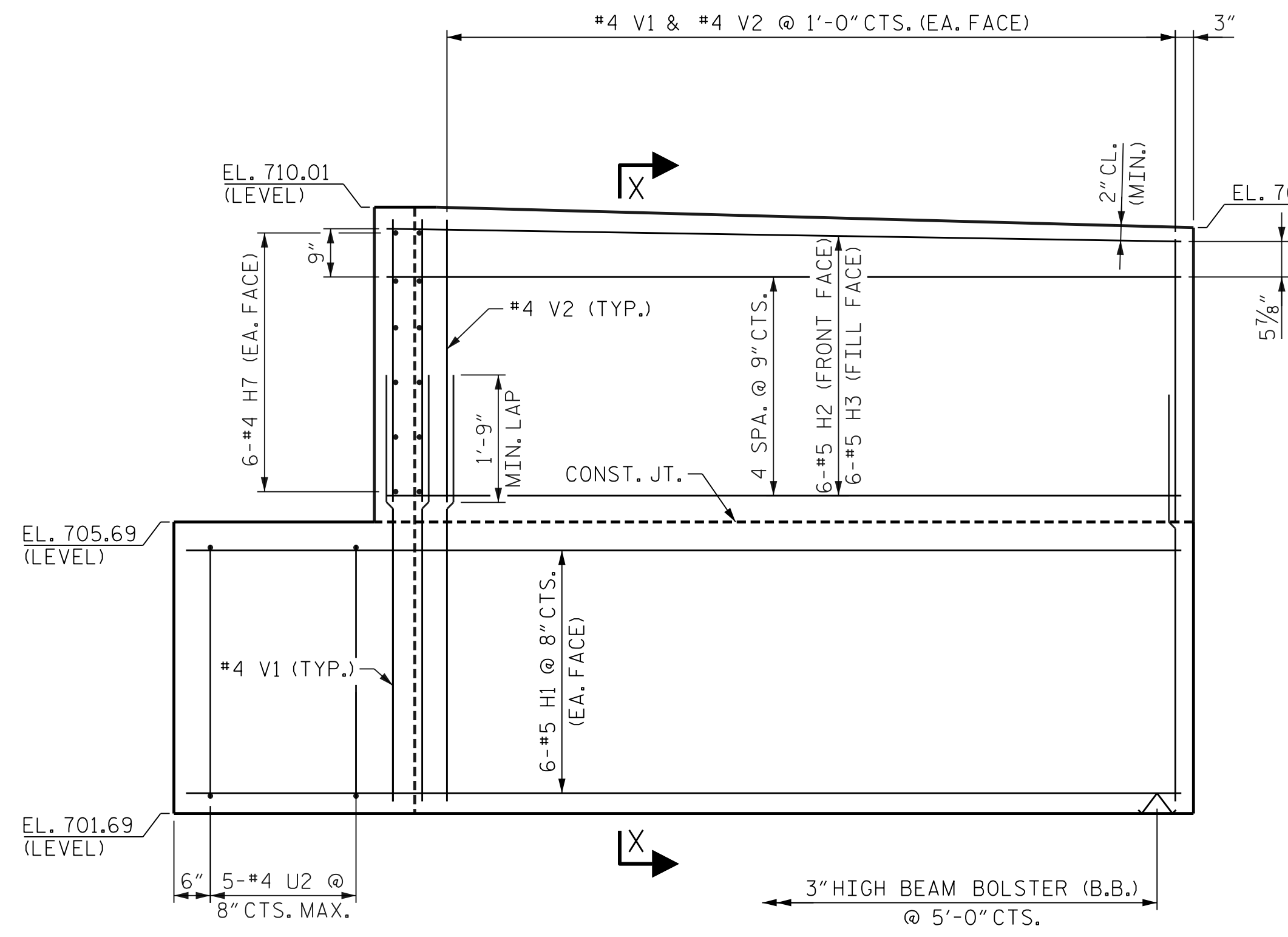
PLAN OF WING (W1)



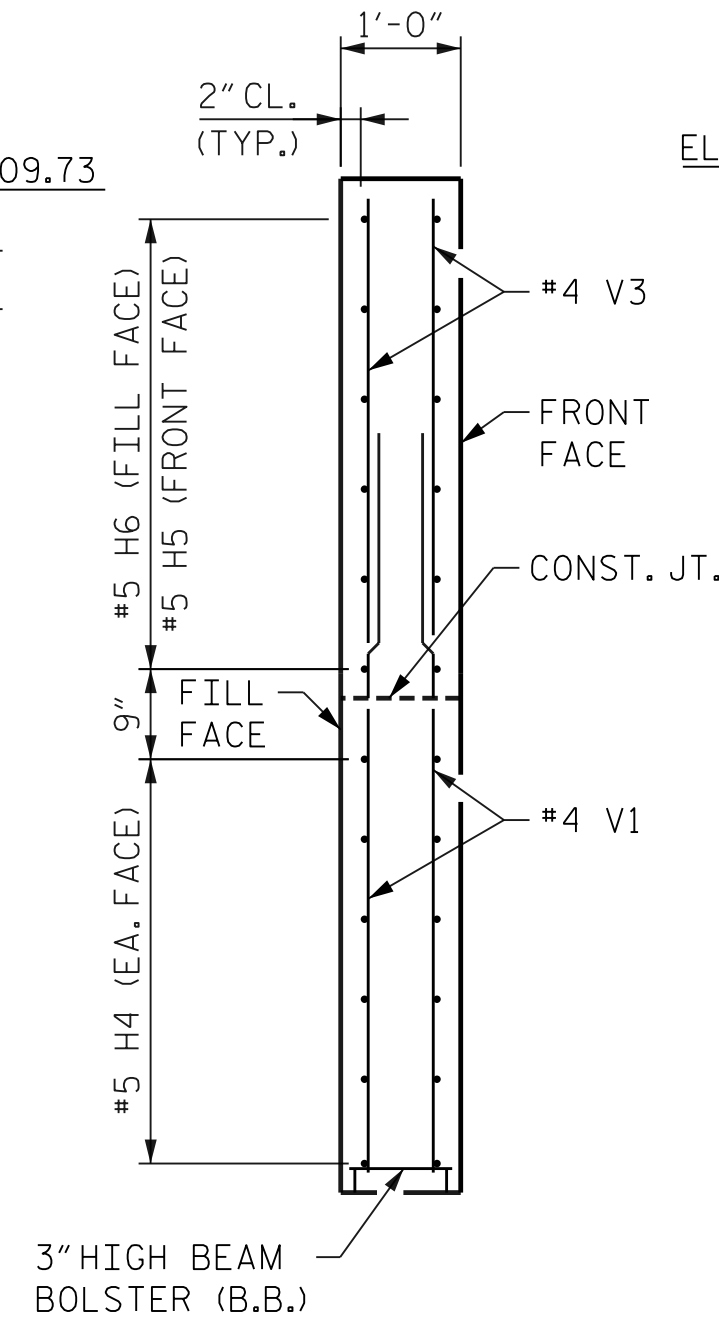
SECTION X-X



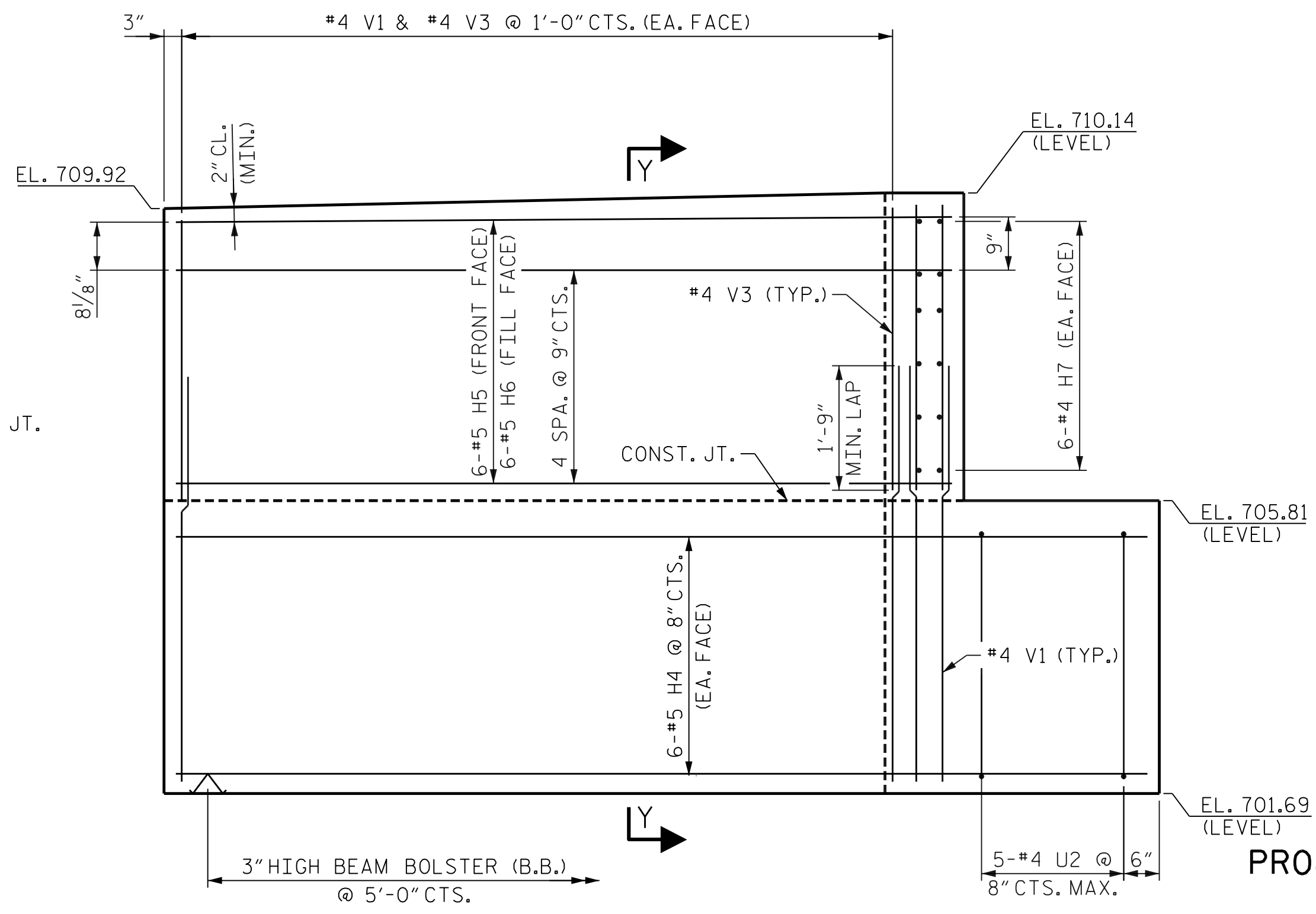
PLAN OF WING (W2)



ELEVATION OF WING (W1)



SECTION Y-Y



ELEVATION OF WING (W2)

PROJECT NO. B-5352
 ROCKINGHAM COUNTY
 STATION: P.O.T. 22+16.89 -L-
 SHEET 2 OF 3

STATE OF NORTH CAROLINA
 DEPARTMENT OF TRANSPORTATION
 RALEIGH

SUBSTRUCTURE
 END BENT 1
 WING WALL DETAILS

REVISIONS			
BY:	DATE:	NO.	SHEET NO.
		3	S-26
		4	TOTAL SHEETS 37



DocuSigned by:
 Matthew T. Neiheisel
 2/20/2018
 84E318F9E30740E

ICA Engineering, Inc.
 555 Fayetteville St., Suite 900
 Raleigh, NC 27601
 NC License No: F-0258

DRAWN BY: D. H. CARTER DATE: FEB 2018
 CHECKED BY: M. T. NEIHEISEL DATE: FEB 2018
 DESIGN ENGINEER OF RECORD: M. T. NEIHEISEL DATE: FEB 2018

PLOT DRIVER: NCDOT_STRUCTURES_DEFAULT_PLOTTER.plt
 USER: dcarter DATE: 2/19/2018 TIME: 1:44:39 PM
 FILE: ...\\structures\dgm\Final\CAD\1101