

SECTION A-A

SECTION B-B

SECTION C-C  
(S1 BARS NOT SHOWN)

0.6" Ø LOW RELAXATION STRAND LAYOUT  
AT END OF GIRDER AT C OF GIRDER

PARTIAL ELEVATION  
SHOWING INTERMEDIATE DIAPHRAGM REINFORCING STEEL FOR GIRDER NOS. CG1 TO CG6

- DEBONDING LEGEND
- FULLY BONDED STRANDS
  - ⊙ SLACK STRANDS TO BE TENSIONED TO 4500 LBS (MAX)

0.6" Ø L. R. GRADE 270 STRANDS

AREA (SQ. INCHES)	ULTIMATE STRENGTH (LBS. PER STRAND)	APPLIED PRESTRESS (LBS. PER STRAND)
0.217	58,600	43,950

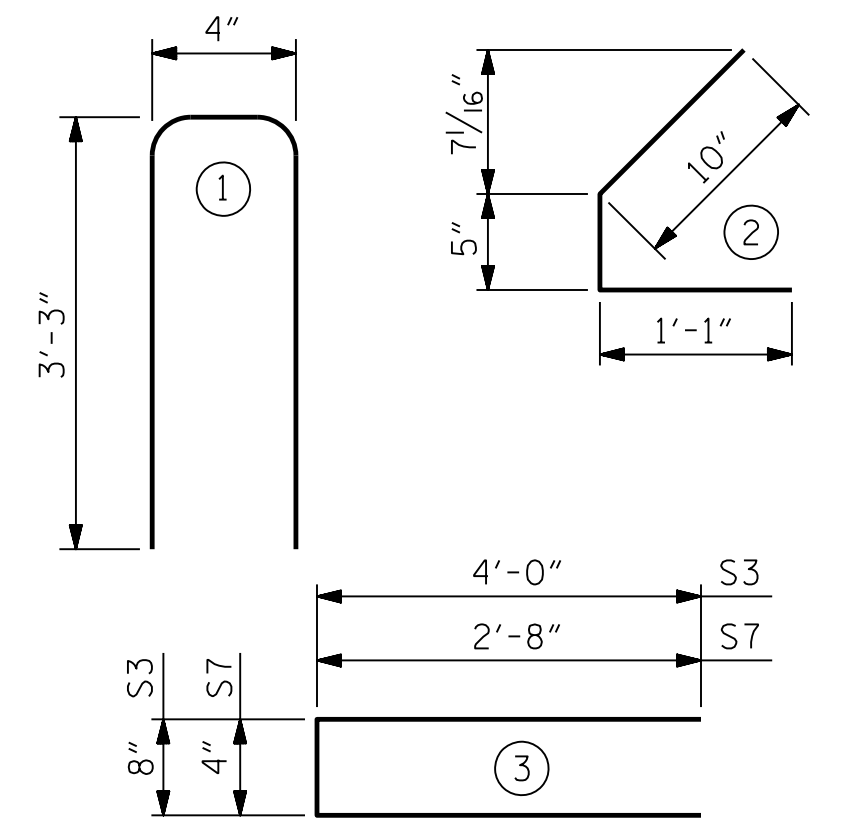
REINFORCING STEEL FOR ONE GIRDER

BAR	NUMBER	SIZE	TYPE	LENGTH	WEIGHT
S1	38	#4	1	6'-10"	173
S2	12	#5	1	6'-10"	86
S3	4	#4	3	8'-8"	23
*S4	12	#5	STR	3'-8"	46
S5	44	#4	2	2'-4"	69
S7	2	#5	3	5'-8"	12
S8	5	#4	STR	7'-0"	23

\* NOTE: S4 BARS SHALL BE BENT BEFORE SHIPMENT. HEAT BENDING SHALL NOT BE ALLOWED.

BAR TYPES

ALL BAR DIMENSIONS ARE OUT-TO-OUT

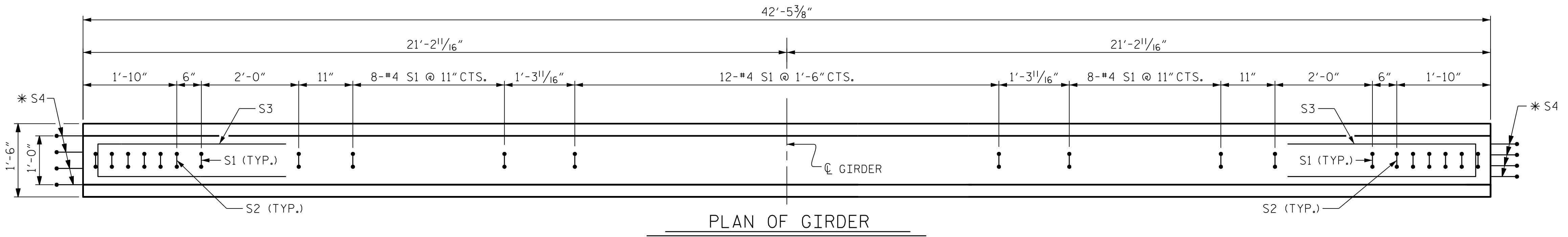


QUANTITIES FOR ONE GIRDER

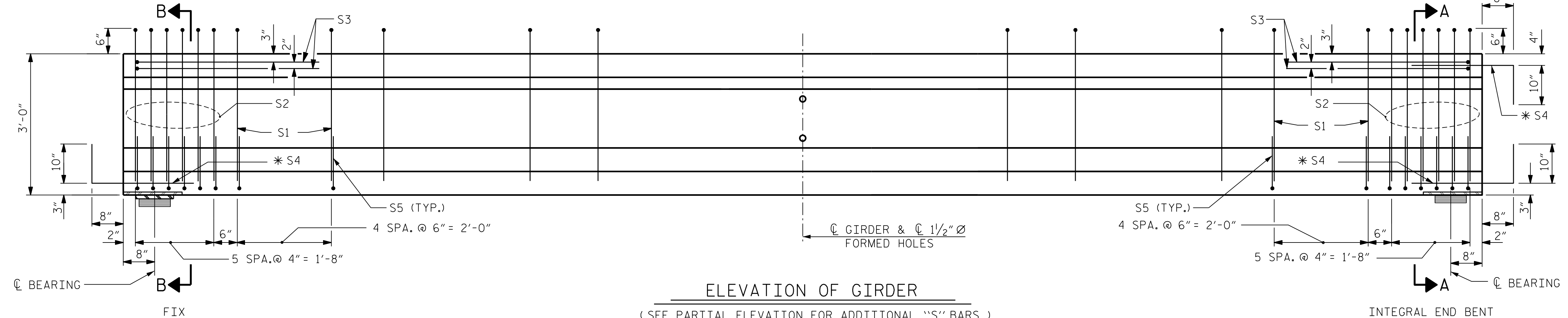
REINFORCING STEEL	9500 PSI CONCRETE	0.6" Ø L. R. STRANDS
LB.	C.Y.	No.
432	4.0	12

GIRDERS REQUIRED

NUMBER	LENGTH	TOTAL LENGTH
6	42'-5 3/8"	254'-8 1/4"



PLAN OF GIRDER



ELEVATION OF GIRDER

(SEE PARTIAL ELEVATION FOR ADDITIONAL "S" BARS)  
\* FOR S4 BARS SEE DETAIL "C" OF "PRESTRESSED CONCRETE GIRDER CONTINUOUS FOR LIVE LOAD DETAILS" SHEET.

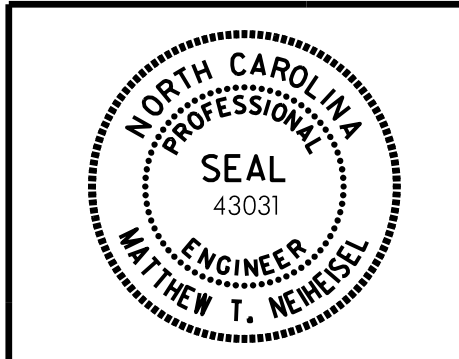
PROJECT NO. B-5352

ROCKINGHAM COUNTY

STATION: P.O.T. 22+16.89 -L-

SHEET 3 OF 5

STATE OF NORTH CAROLINA  
DEPARTMENT OF TRANSPORTATION  
RALEIGH  
SUPERSTRUCTURE  
AASHTO TYPE II  
PRESTRESSED CONCRETE GIRDER  
CONTINUOUS FOR LIVE LOAD  
SPAN C



DocuSigned by:  
Matthew T. Neiheisel  
2/20/2018

REVISIONS				SHEET NO.	
BY:	DATE:	NO.	BY:	DATE:	S-15
		3			TOTAL SHEETS
		4			37

DRAWN BY: D. H. CARTER DATE: FEB 2018  
CHECKED BY: M. T. NEIHEISEL DATE: FEB 2018  
DESIGN ENGINEER OF RECORD: M. T. NEIHEISEL DATE: FEB 2018

ICA Engineering, Inc.  
555 Fayetteville St.,  
Suite 900  
Raleigh, NC 27601  
NC License No: F-0258

PLOT DRIVER: NCDOT\_STRUCTURES\_DEFAULT\_PLOTTER.plt  
 USER: dcarter DATE: 2/19/2018 TIME: 1:43:23 PM  
 FILE: ...\\structures\dgm\Final\CAD\0552