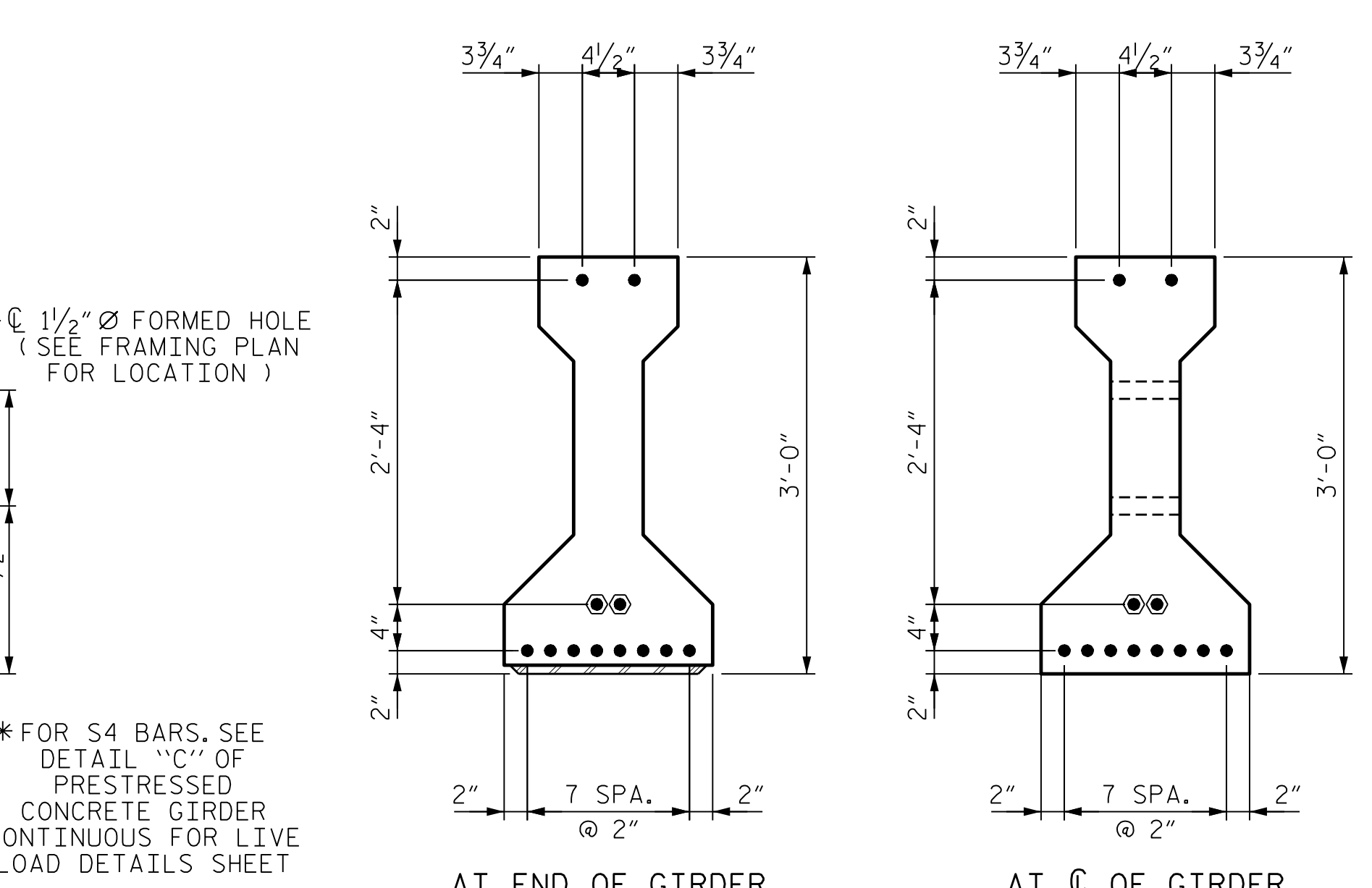
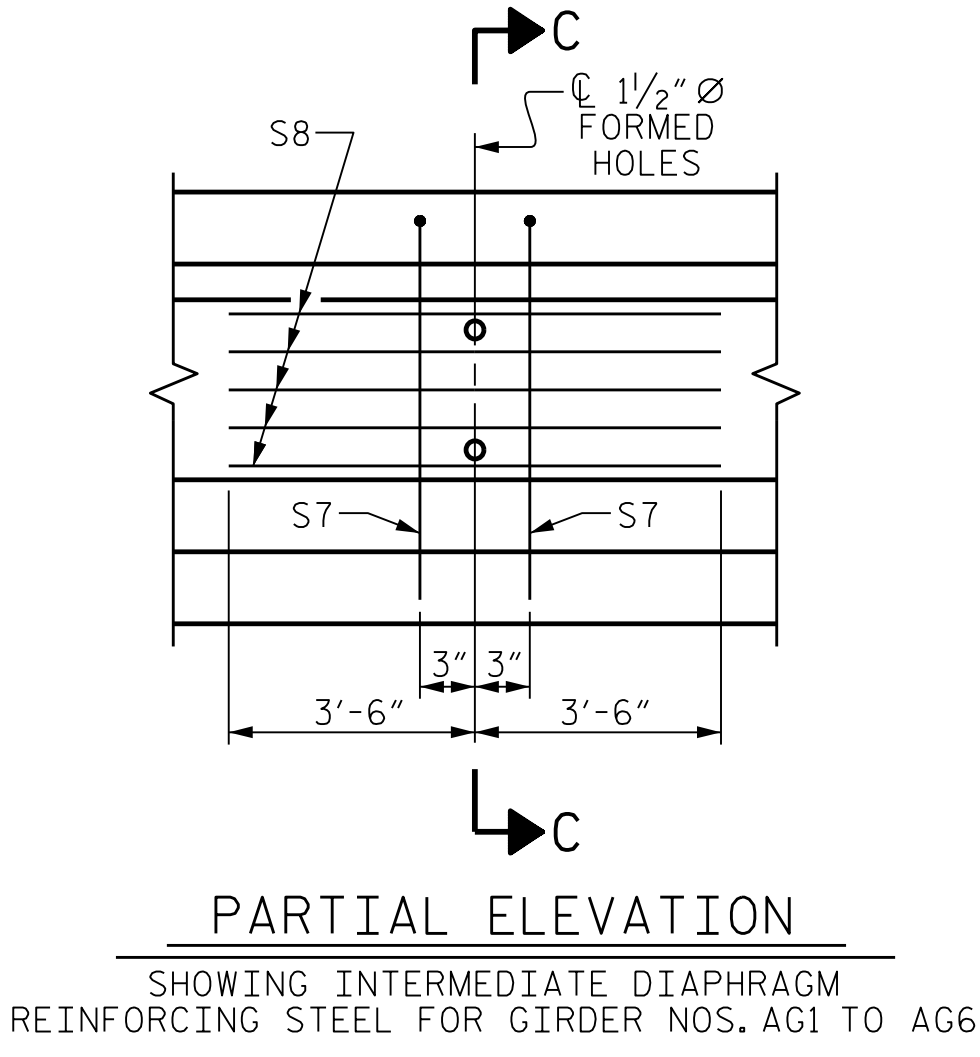


SECTION A-A SECTION B-B SECTION C-C
(S1 BARS NOT SHOWN)

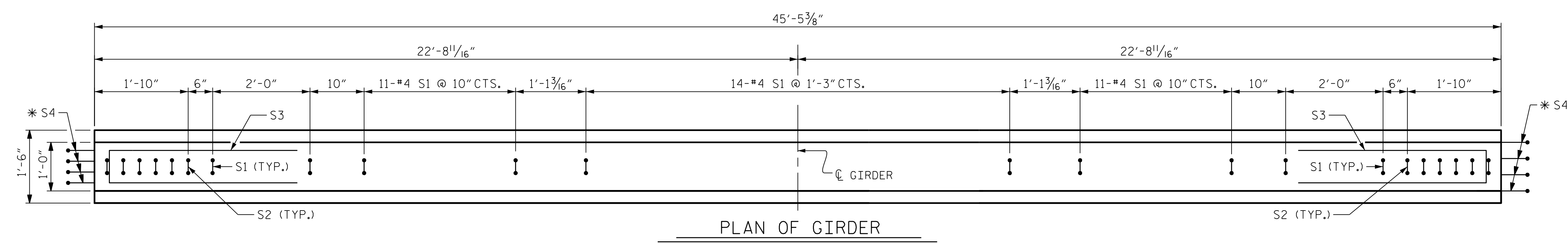


AT END OF GIRDER AT \bar{C} OF GIRDER
0.6" \bar{O} LOW RELAXATION STRAND LAYOUT

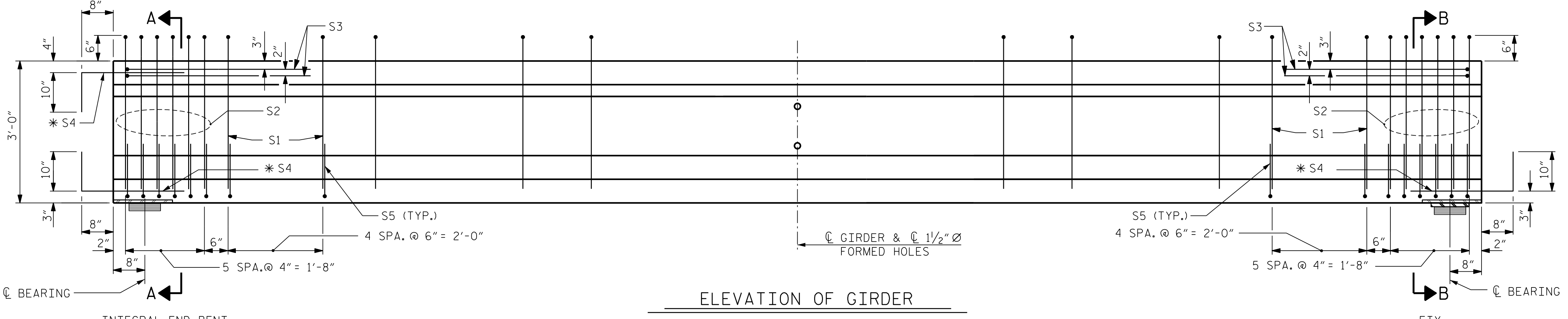


PARTIAL ELEVATION
SHOWING INTERMEDIATE DIAPHRAGM REINFORCING STEEL FOR GIRDER NOS. AG1 TO AG6

DEBONDING LEGEND
 • FULLY BONDED STRANDS
 ○ SLACK STRANDS TO BE TENSIONED TO 4500 LBS (MAX)



PLAN OF GIRDER



ELEVATION OF GIRDER

(SEE PARTIAL ELEVATION FOR ADDITIONAL "S" BARS)
 *FOR S4 BARS SEE DETAIL "C" OF "PRESTRESSED CONCRETE GIRDER CONTINUOUS FOR LIVE LOAD DETAILS" SHEET.

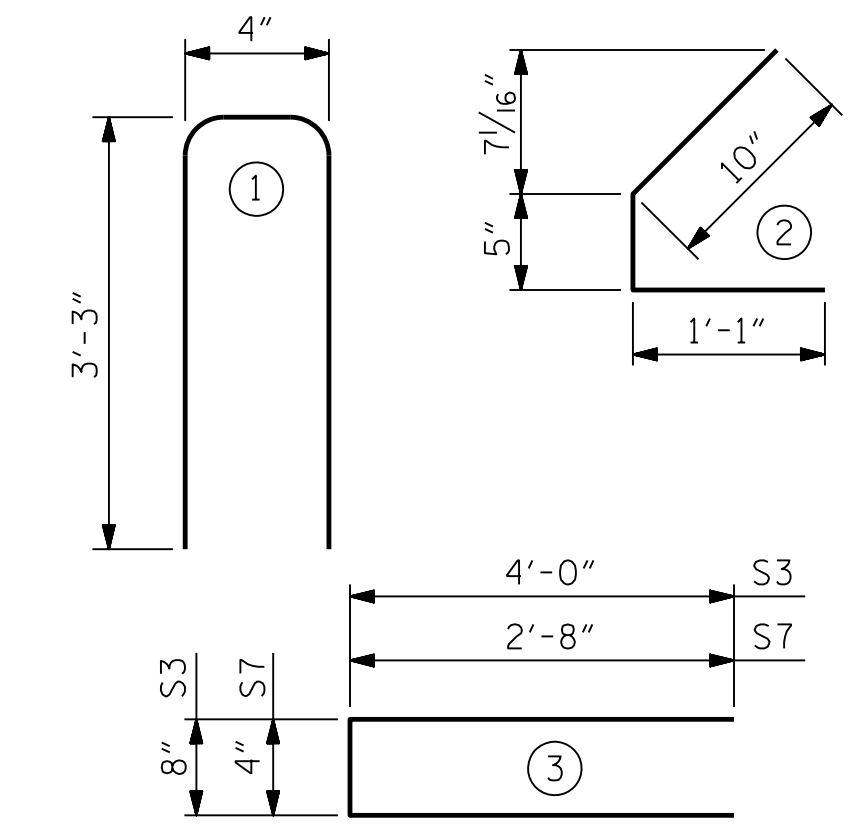
0.6" \bar{O} L. R. GRADE 270 STRANDS		
AREA (SQUARE INCHES)	ULTIMATE STRENGTH (LBS. PER STRAND)	APPLIED PRESTRESS (LBS. PER STRAND)
0.217	58,600	43,950

REINFORCING STEEL FOR ONE GIRDER					
BAR	NUMBER	SIZE	TYPE	LENGTH	WEIGHT
S1	46	#4	1	6'-10"	210
S2	12	#5	1	6'-10"	86
S3	4	#4	3	8'-8"	23
*S4	12	#5	STR	3'-8"	46
S5	44	#4	2	2'-4"	69
S7	2	#5	3	5'-8"	12
S8	5	#4	STR	7'-0"	23

* NOTE: S4 BARS SHALL BE BENT BEFORE SHIPMENT. HEAT BENDING SHALL NOT BE ALLOWED.

BAR TYPES

ALL BAR DIMENSIONS ARE OUT-TO-OUT



QUANTITIES FOR ONE GIRDER

REINFORCING STEEL	9500 PSI CONCRETE	0.6" \bar{O} L. R. STRANDS
LB.	C.Y.	No.
469	4.3	12

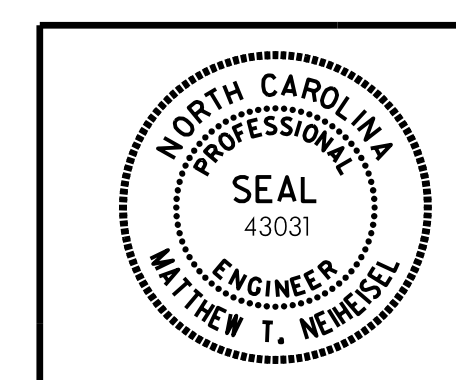
GIRDERS REQUIRED

NUMBER	LENGTH	TOTAL LENGTH
6	45'-5 3/8"	272'-8 1/4"

PROJECT NO. B-5352
 ROCKINGHAM COUNTY
 STATION: P.O.T. 22+16.89 -L-

SHEET 1 OF 5

STATE OF NORTH CAROLINA
 DEPARTMENT OF TRANSPORTATION
 RALEIGH
SUPERSTRUCTURE
 AASHTO TYPE II
 PRESTRESSED CONCRETE GIRDER
 CONTINUOUS FOR LIVE LOAD
 SPAN A



DocuSigned by:
 Matthew T. Neiheisel
 2/20/2018

REVISIONS				SHEET NO.	
BY:	DATE:	NO.	BY:	DATE:	S-13
		3			TOTAL SHEETS
		4			37

DRAWN BY: D. H. CARTER DATE: FEB 2018
 CHECKED BY: M. T. NEIHEISEL DATE: FEB 2018
 DESIGN ENGINEER OF RECORD: M. T. NEIHEISEL DATE: FEB 2018

ICA Engineering, Inc.
 555 Fayetteville St.,
 Suite 900
 Raleigh, NC 27601
 NC License No: F-0258

PLOT DRIVER: NCDOT_STRUCTURES_DEFAULT_PLOTTER.plt
 USER: dcarter DATE: 2/19/2018 TIME: 1:43:11 PM
 FILE: ...\\structures\dgm\Final\CAD\0550