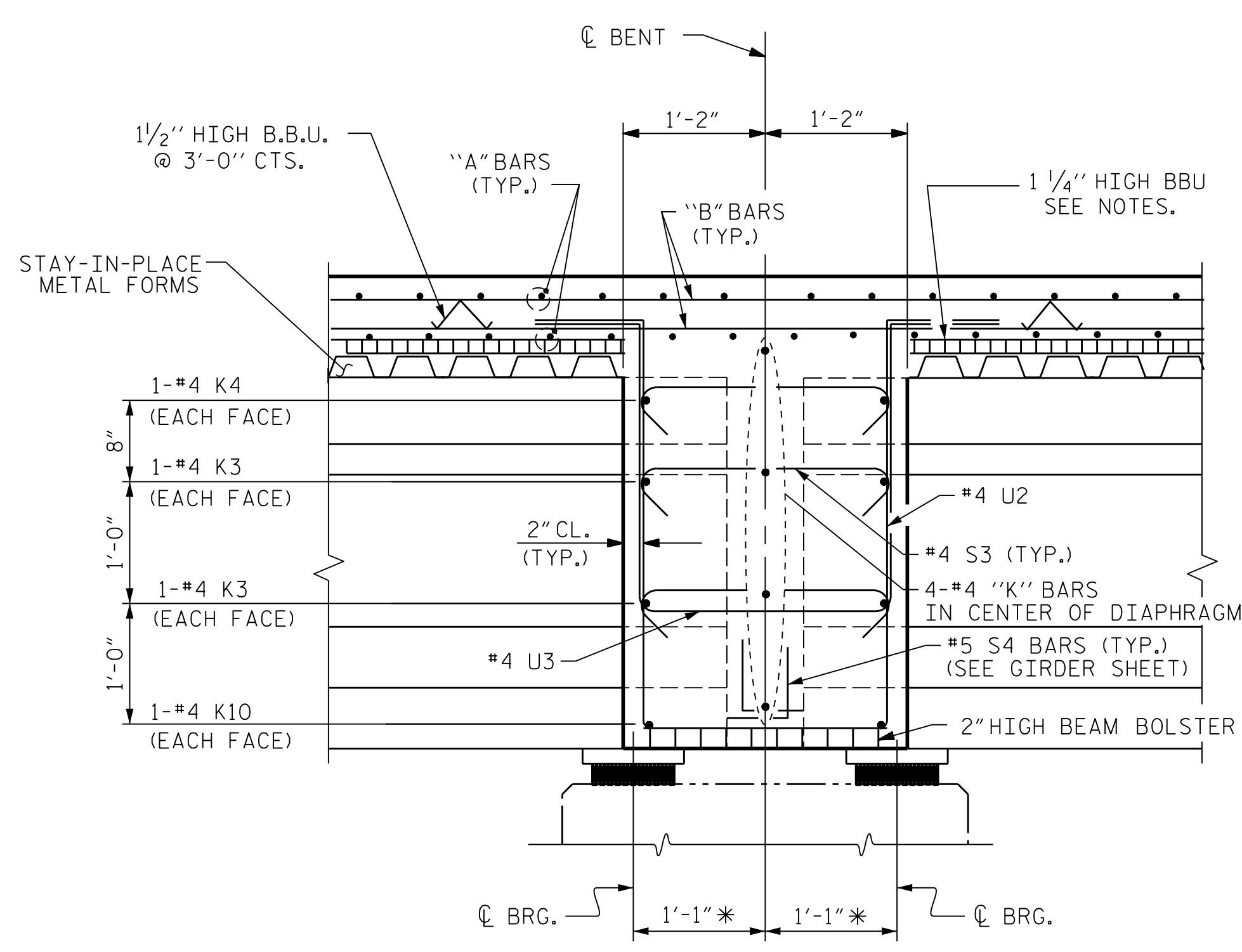
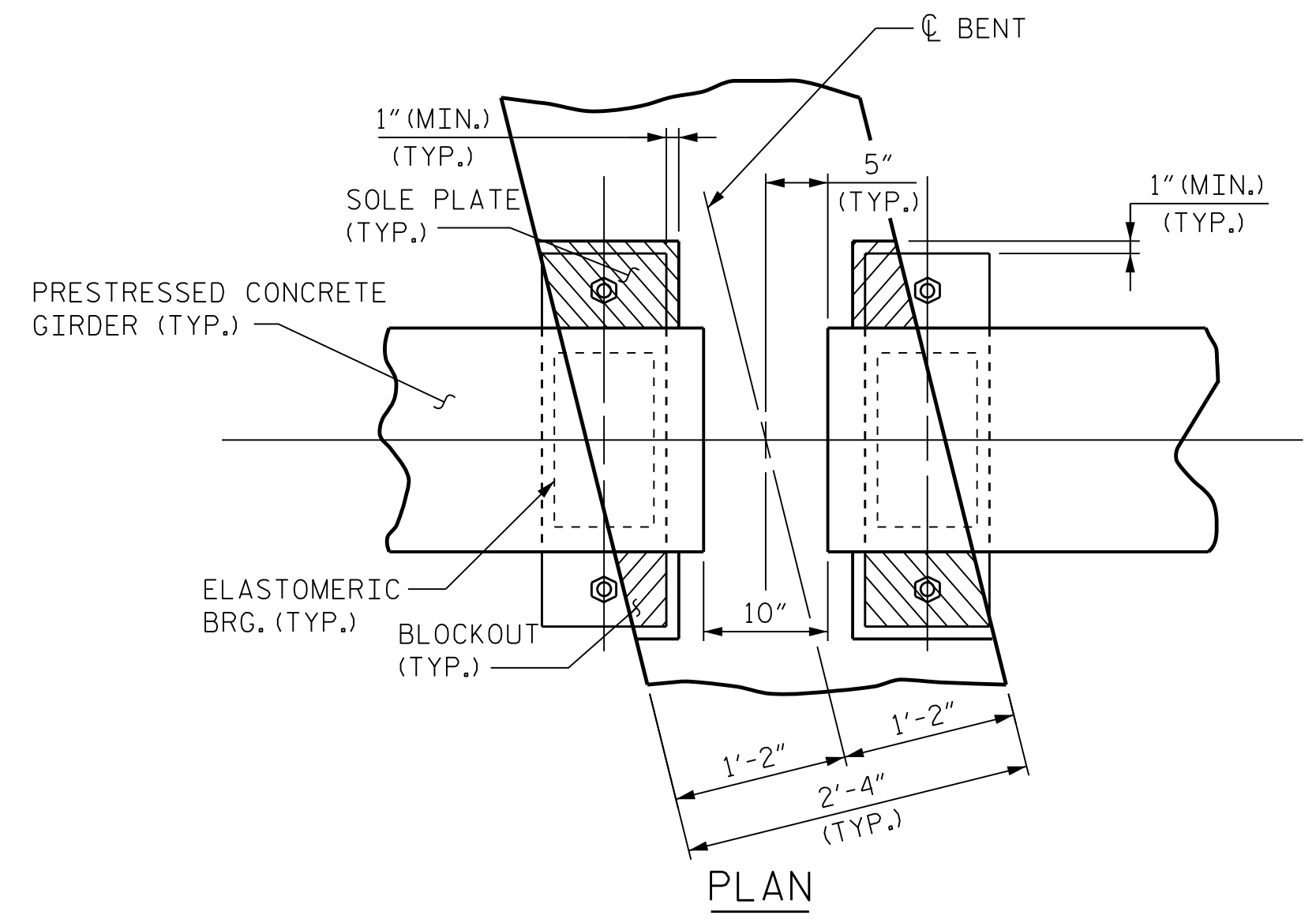


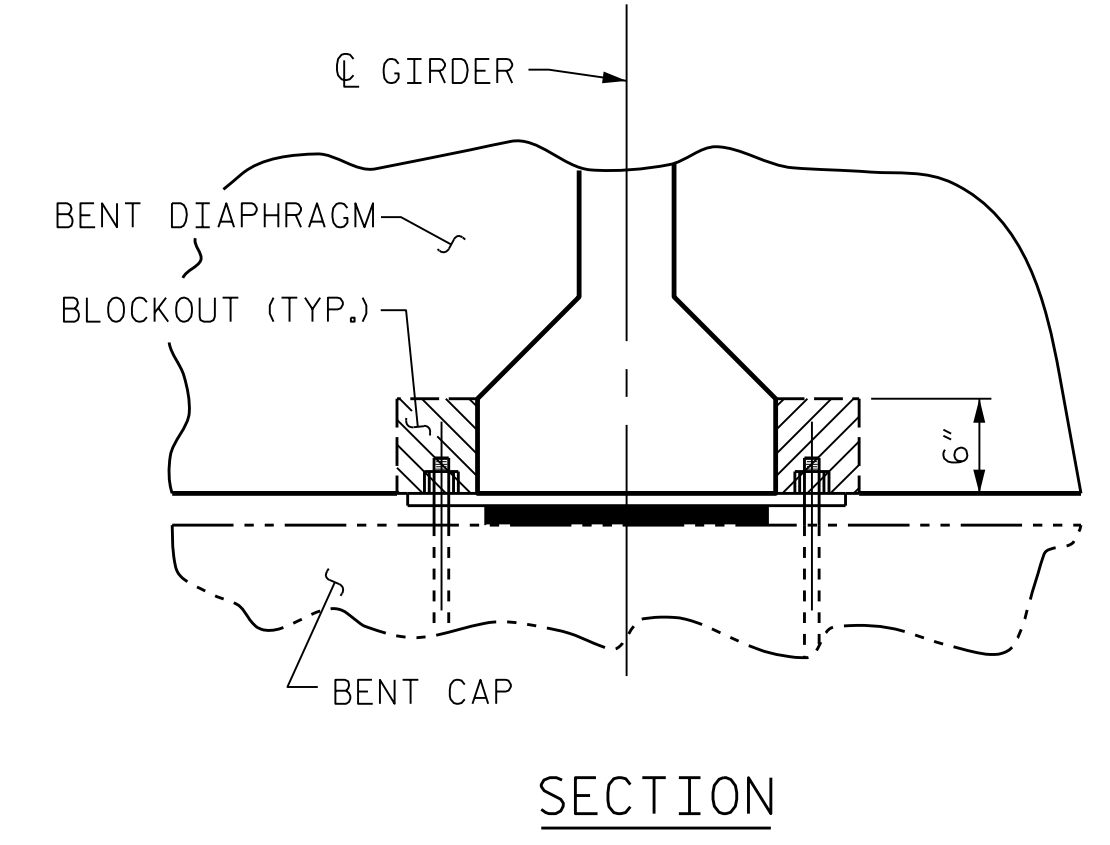
**NOTES:**  
FOR ADDITIONAL NOTES, SEE SHEET 1 OF 4.



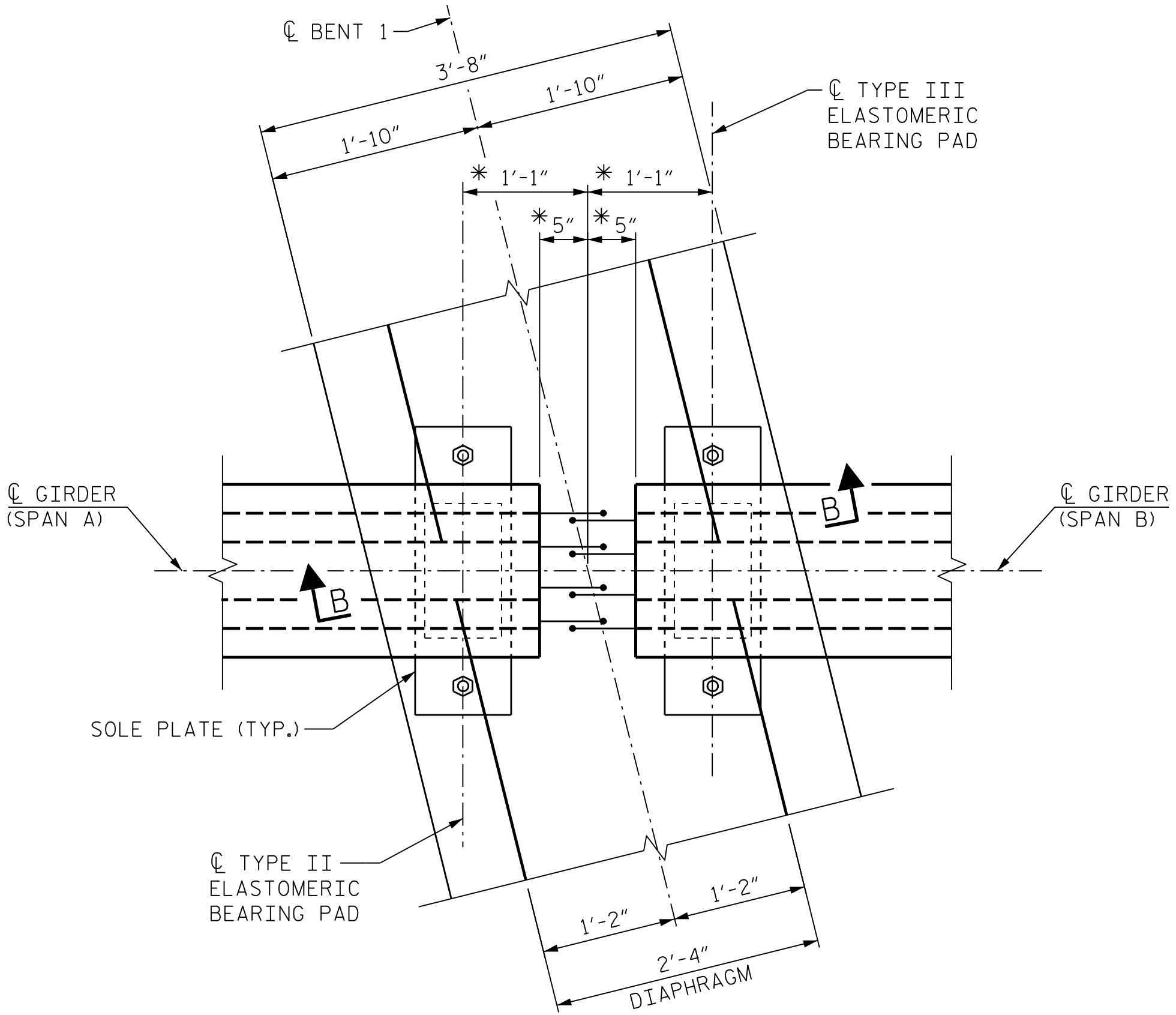
**SECTION B-B**  
**SECTION THRU BENT DIAPHRAGM**  
(DIMENSIONS SHOWN ARE NORMAL TO THE BENT)  
\* MEASURED ALONG  $\phi$  GIRDER



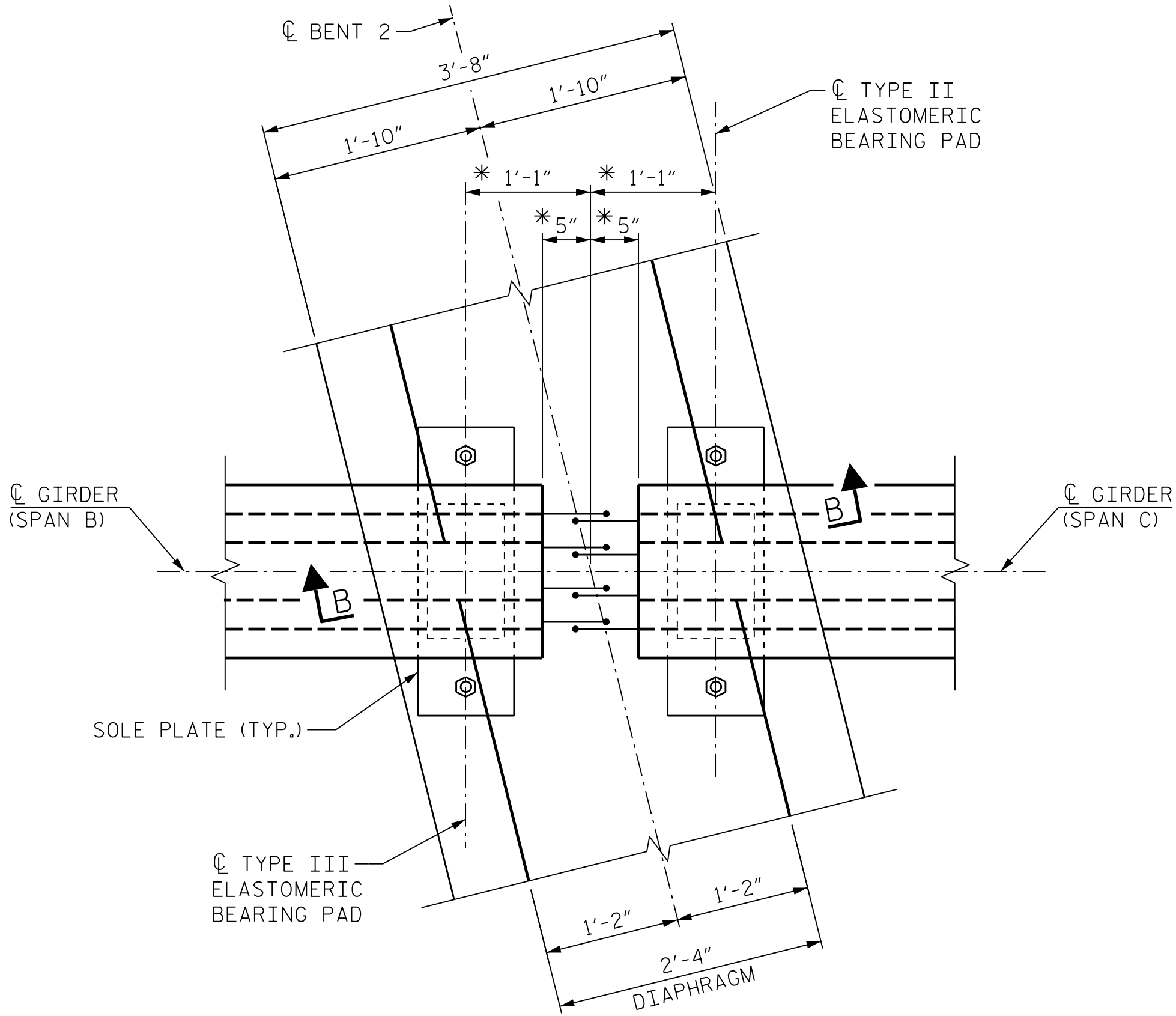
**BENT DIAPHRAGM BLOCKOUT DETAIL**



**SECTION**



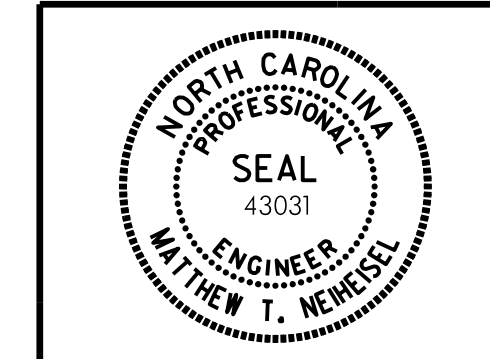
**PLAN DETAIL OF BENT 1 DIAPHRAGM**  
(CONTINUOUS DECK SLAB NOT SHOWN FOR CLARITY)  
\* MEASURED ALONG  $\phi$  GIRDER



**PLAN DETAIL OF BENT 2 DIAPHRAGM**  
(CONTINUOUS DECK SLAB NOT SHOWN FOR CLARITY)  
\* MEASURED ALONG  $\phi$  GIRDER

PROJECT NO. B-5352  
ROCKINGHAM COUNTY  
STATION: P.O.T. 22+16.89 -L-  
SHEET 4 OF 4

STATE OF NORTH CAROLINA  
DEPARTMENT OF TRANSPORTATION  
RALEIGH  
**SUPERSTRUCTURE**  
TYPICAL SECTION DETAILS



DocuSigned by:  
*Matthew T. Neiheisel* 2/20/2018  
44318F9E30749E

| REVISIONS |       |     |     | SHEET NO. |
|-----------|-------|-----|-----|-----------|
| BY:       | DATE: | NO. | BY: | DATE:     |
|           |       | 3   |     |           |
|           |       | 4   |     |           |

TOTAL SHEETS: 37

**ICA Engineering, Inc.**  
555 Fayetteville St., Suite 900  
Raleigh, NC 27601  
NC License No: F-0258

PLOT DRIVER: NCDOT STRUCTURES DEFAULT PLOTTER.PH  
 PENTABLE: NCDOT STRUCTURES DEFAULT PEN.tbl  
 USER: dcarter DATE: 2/19/2018 TIME: 1:42:31 PM  
 FILE: ... \Structures\dgm\Final\CAD\0511

DRAWN BY: D. H. CARTER DATE: FEB 2018  
 CHECKED BY: M. T. NEIHEISEL DATE: FEB 2018  
 DESIGN ENGINEER OF RECORD: M. T. NEIHEISEL DATE: FEB 2018