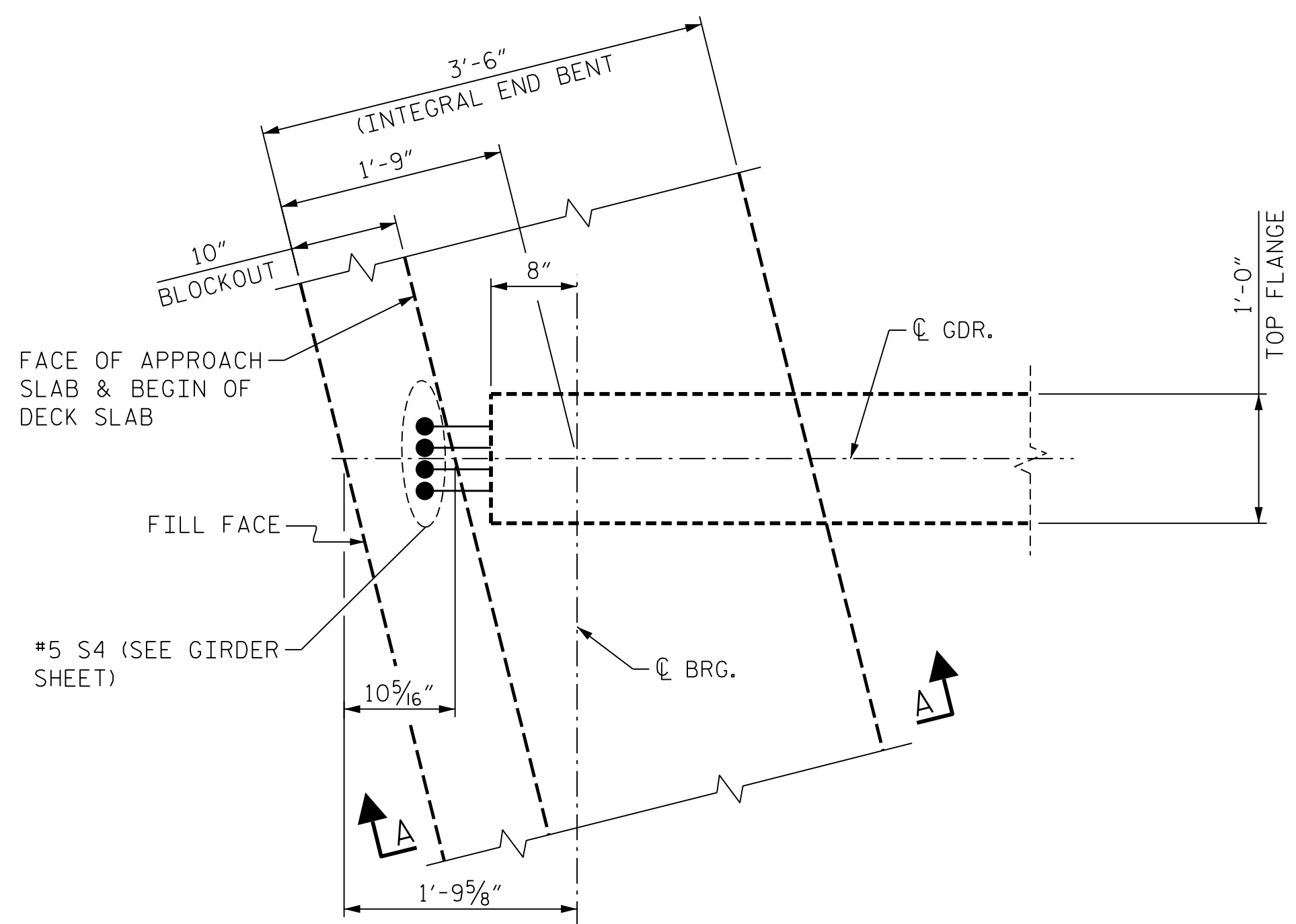
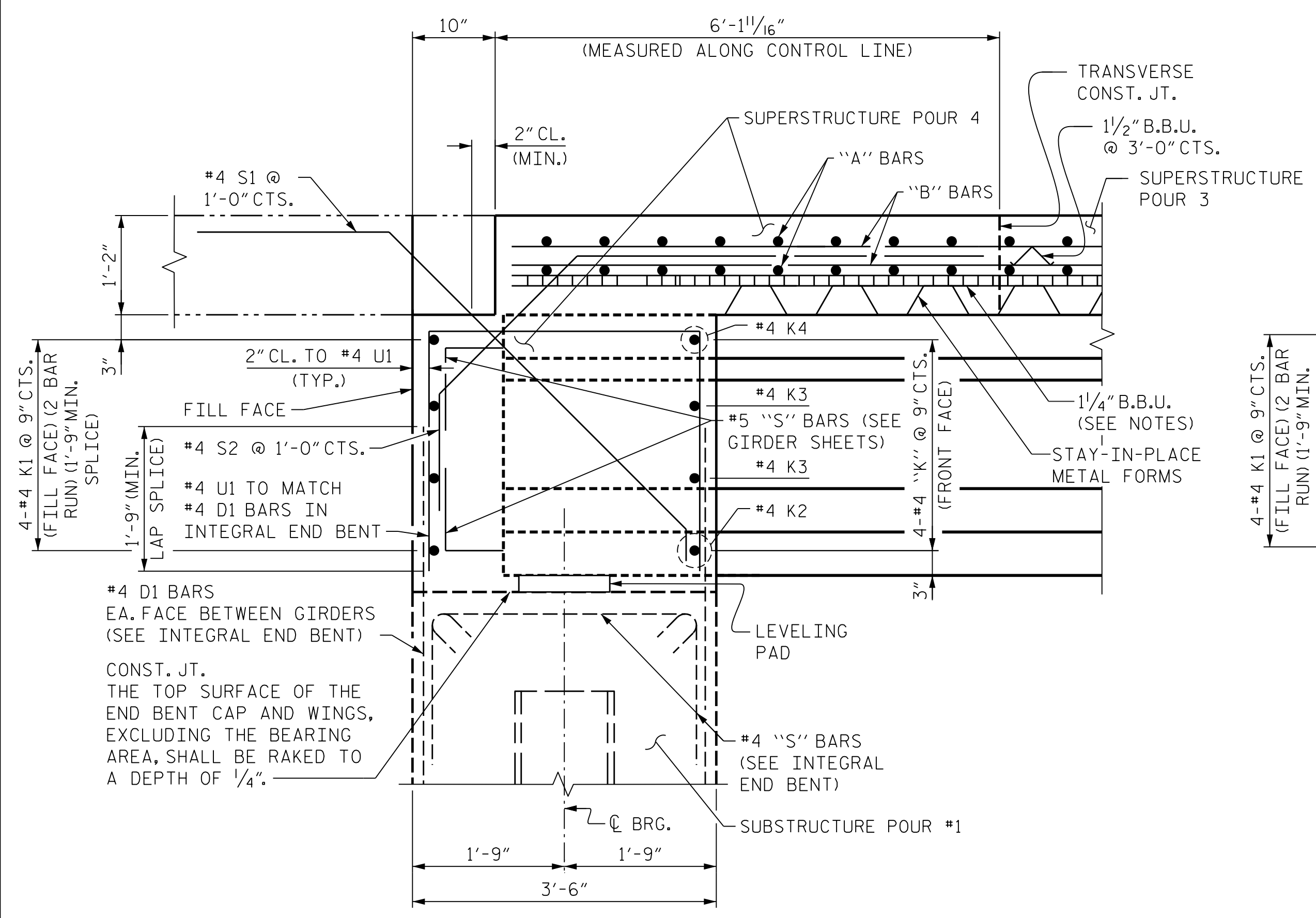


NOTES:
FOR ADDITIONAL NOTES, SEE SHEET 1 OF 4.

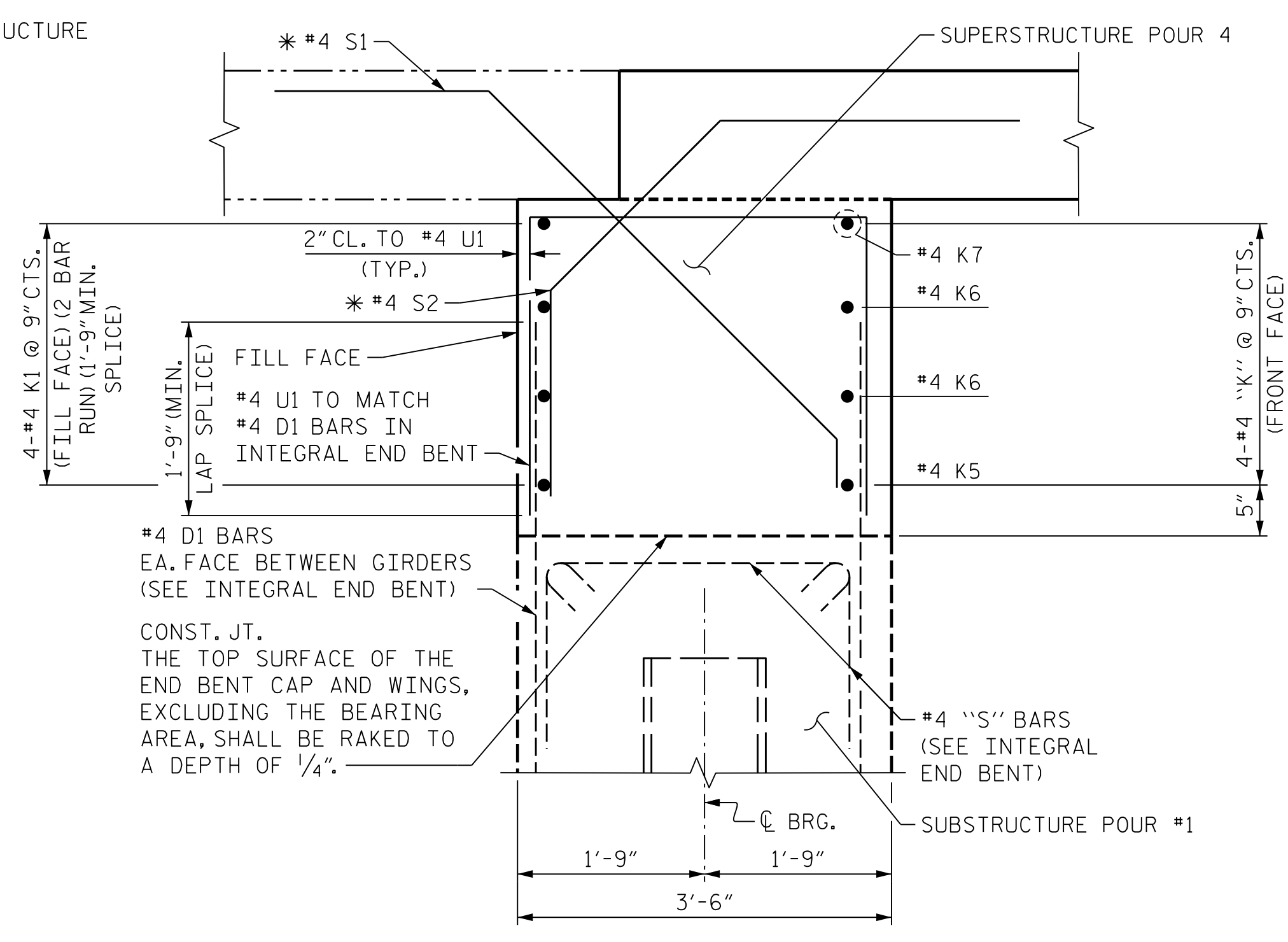


PLAN OF GIRDER AT INTEGRAL END BENT 1



SECTION A-A
SECTION THROUGH INTEGRAL END BENT 1
INSIDE OF GIRDERS

(DIMENSIONS ARE PERPENDICULAR TO CAP UNLESS NOTED OTHERWISE)
END BENT 1 SHOWN, END BENT 2 SIMILAR

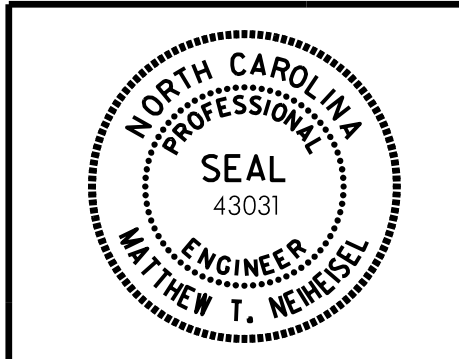


SECTION THROUGH INTEGRAL END BENT 1
OUTSIDE OF GIRDERS

(DIMENSIONS ARE PERPENDICULAR TO CAP UNLESS NOTED OTHERWISE)
END BENT 1 SHOWN, END BENT 2 SIMILAR
* TO MATCH D1 BARS IN END BENT CAP

PROJECT NO. B-5352
ROCKINGHAM COUNTY
STATION: P.O.T. 22+16.89 -L-
SHEET 3 OF 4

STATE OF NORTH CAROLINA
DEPARTMENT OF TRANSPORTATION
RALEIGH
SUPERSTRUCTURE
TYPICAL SECTION DETAILS



DocuSigned by:
Matthew T. Neiheisel 2/20/2018
44E31BF9E30749E

REVISIONS				SHEET NO.	
BY:	DATE:	NO.	BY:	DATE:	SHEET NO.
		3			S-7
		4			TOTAL SHEETS 37

ICA Engineering, Inc.
555 Fayetteville St., Suite 900
Raleigh, NC 27601
NC License No: F-0258

PLOT DRIVER: NCDOT_STRUCTURE_DEFAULT_PLOTTER.plt
 USER: dcarTer
 DATE: 2/19/2018
 TIME: 1:42:23 PM
 FILE: ... \structures\dgm\Final\CAD\0510