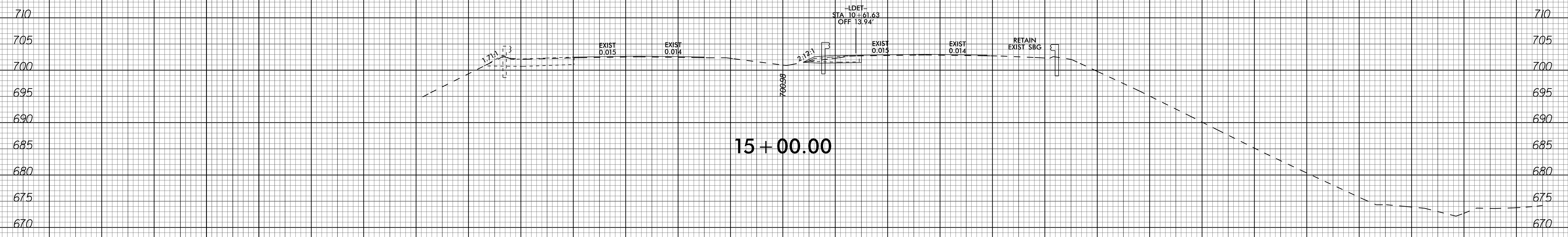
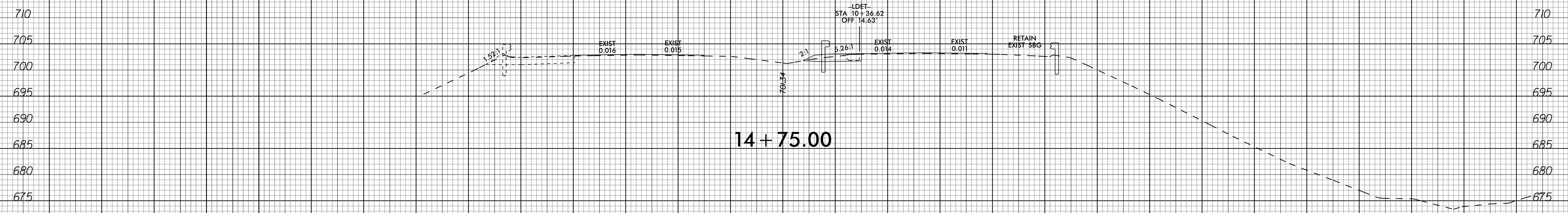


PROJ. REFERENCE NO.
B-5352

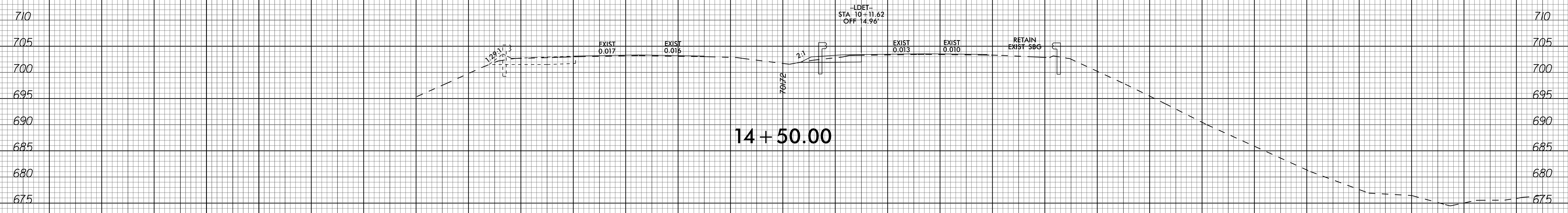
SHEET NO.
X-2



15+00.00



14+75.00



14+50.00

K:\PAL_Roadway\01036275 - B-5352\Roadway\XSC\B5352_rdy_xpl.L.LDET.dgn
1/16/2018