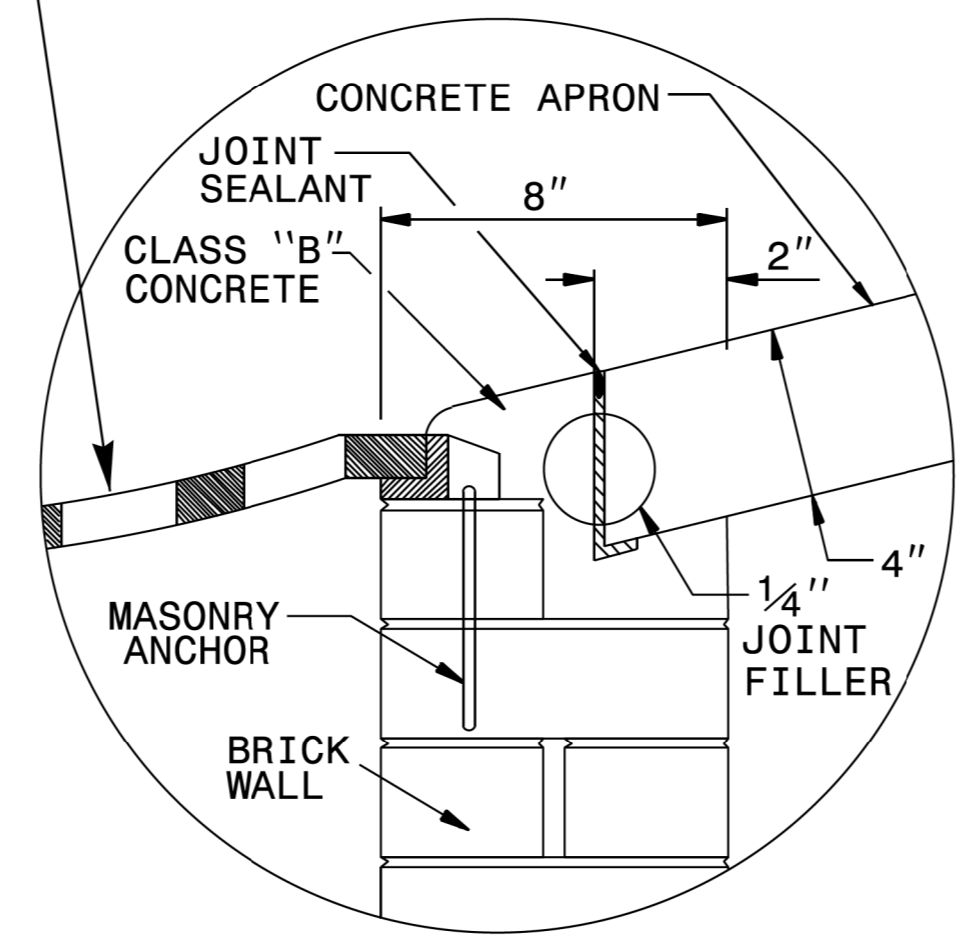


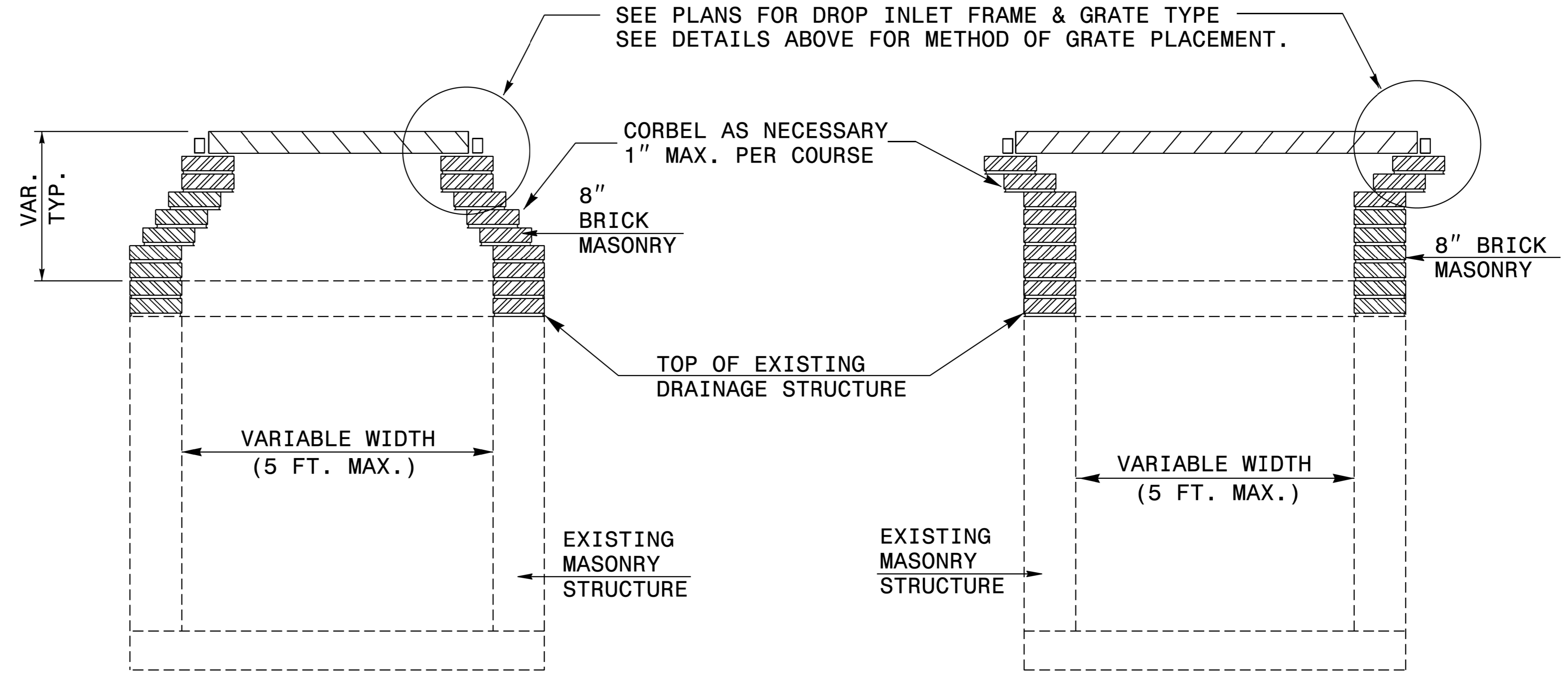
GRATE PLACEMENT DETAIL
FOR DROP INLETS



GRATE PLACEMENT DETAIL
FOR GRATED DROP INLETS

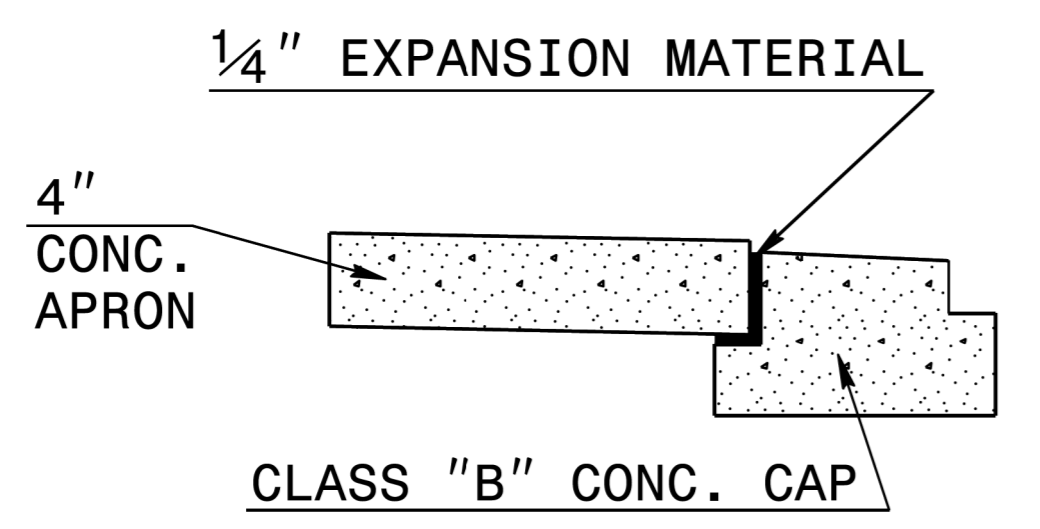
GENERAL NOTES:

- CONSTRUCT IN ACCORDANCE WITH SECTION 859 OF THE STANDARD SPECIFICATIONS.
- USE CLASS B CONCRETE.
- THE DIMENSIONS FOR THE EXISTING BOXES ARE APPROXIMATE AND MAY VARY SLIGHTLY.
- JUMBO CONCRETE BRICK WILL BE PERMITTED. 4" CONCRETE BRICK OR 8" SOLID CONCRETE BLOCK ARE REQUIRED FOR DRAINAGE STRUCTURE.
- INCLUDE 18" CONCRETE APRON IN UNIT PRICE BID PER EACH, CONVERT EXISTING CATCH BASIN TO DROP INLET.
- SPECIAL DESIGN IS REQUIRED FOR USE UNDER PAVEMENT.
- CONFIRM DIMENSIONS ON EACH INDIVIDUAL FRAME & GRATE PROPOSAL.
- SEE STD. DRAWING 840.25 FOR MASONRY ANCHORAGE.



TYPICAL SECTION

TYPICAL SECTION



EXPANSION JOINT DETAIL



DOCUMENT NOT CONSIDERED FINAL
UNLESS ALL SIGNATURES COMPLETED

CONTRACT STANDARDS AND DEVELOPMENT UNIT
Office 919-707-6950 FAX 919-250-4119

DETAIL TO CONVERT EXISTING CATCH BASIN OR JUNCTION BOX TO DI OR 2-GI

ORIGINAL BY: T.S.S.	DATE: NOV. 1997
MODIFIED BY: T.S.S.	DATE: FEB. 2000
CHECKED BY:	DATE:
FILE SPEC.: s:\usr\details\stand\cbtodi02.dgn	

26-JUN-2017 10:39 S:\Contracts\Special Details\Jhower-ton\Convert CB or JB to DI.dgn Jhower-ton AT USD-292595