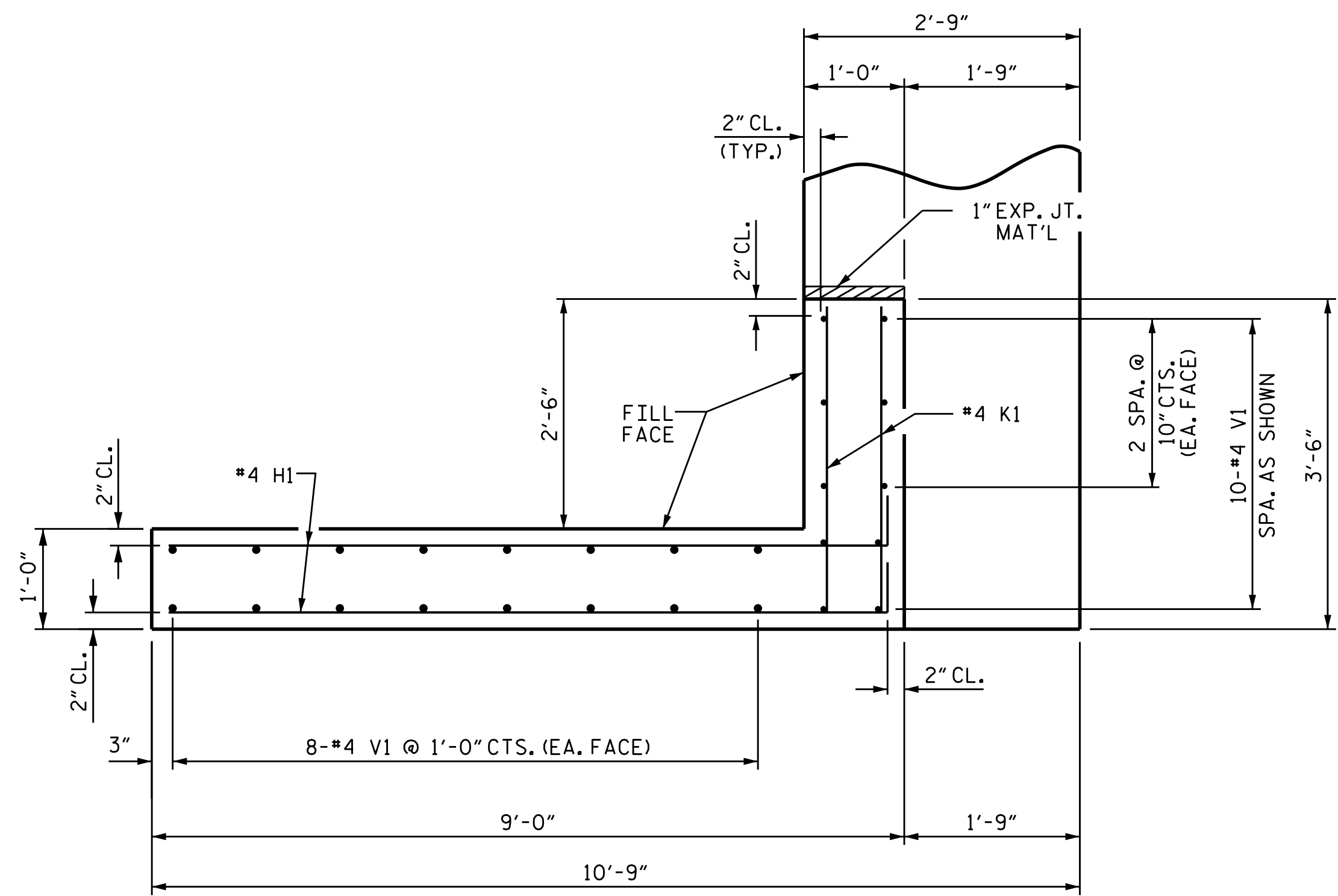
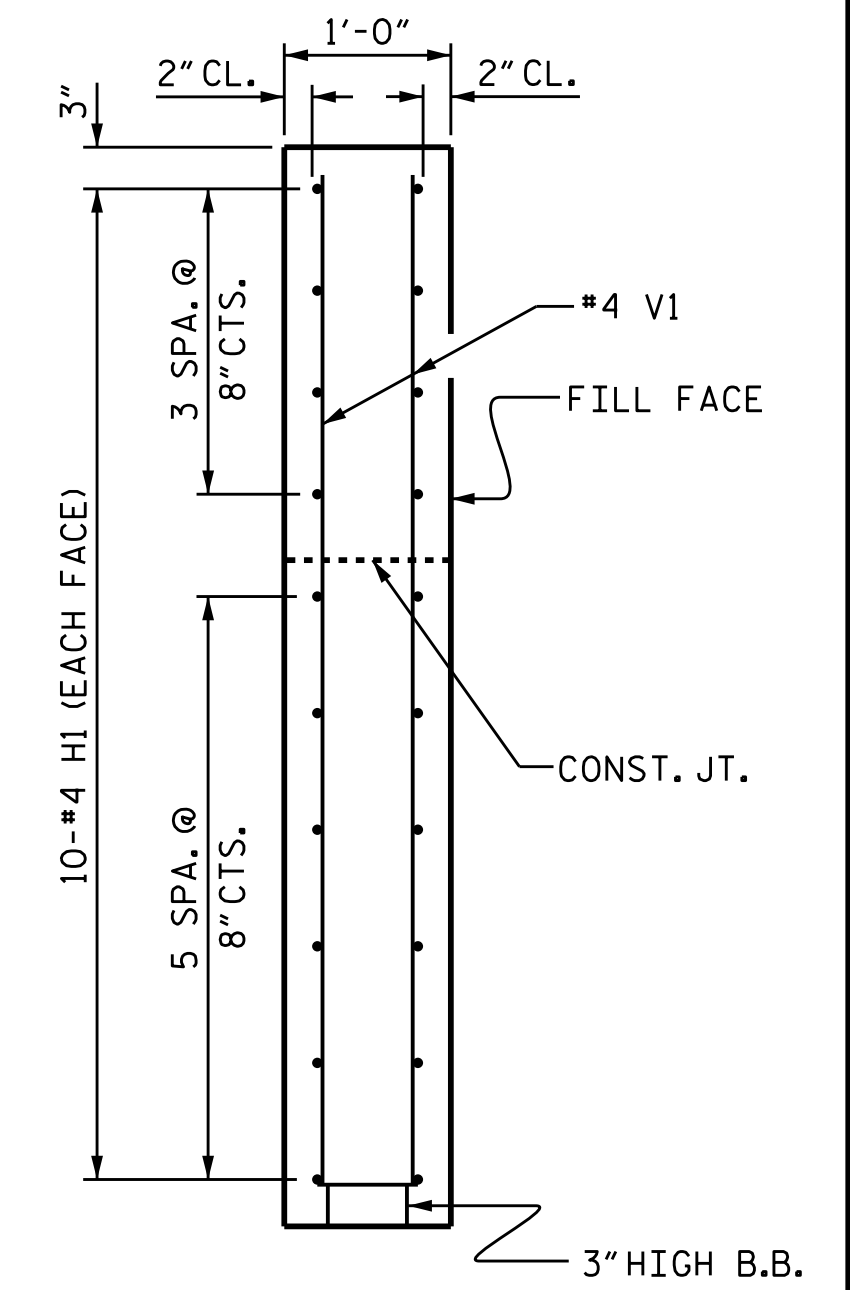


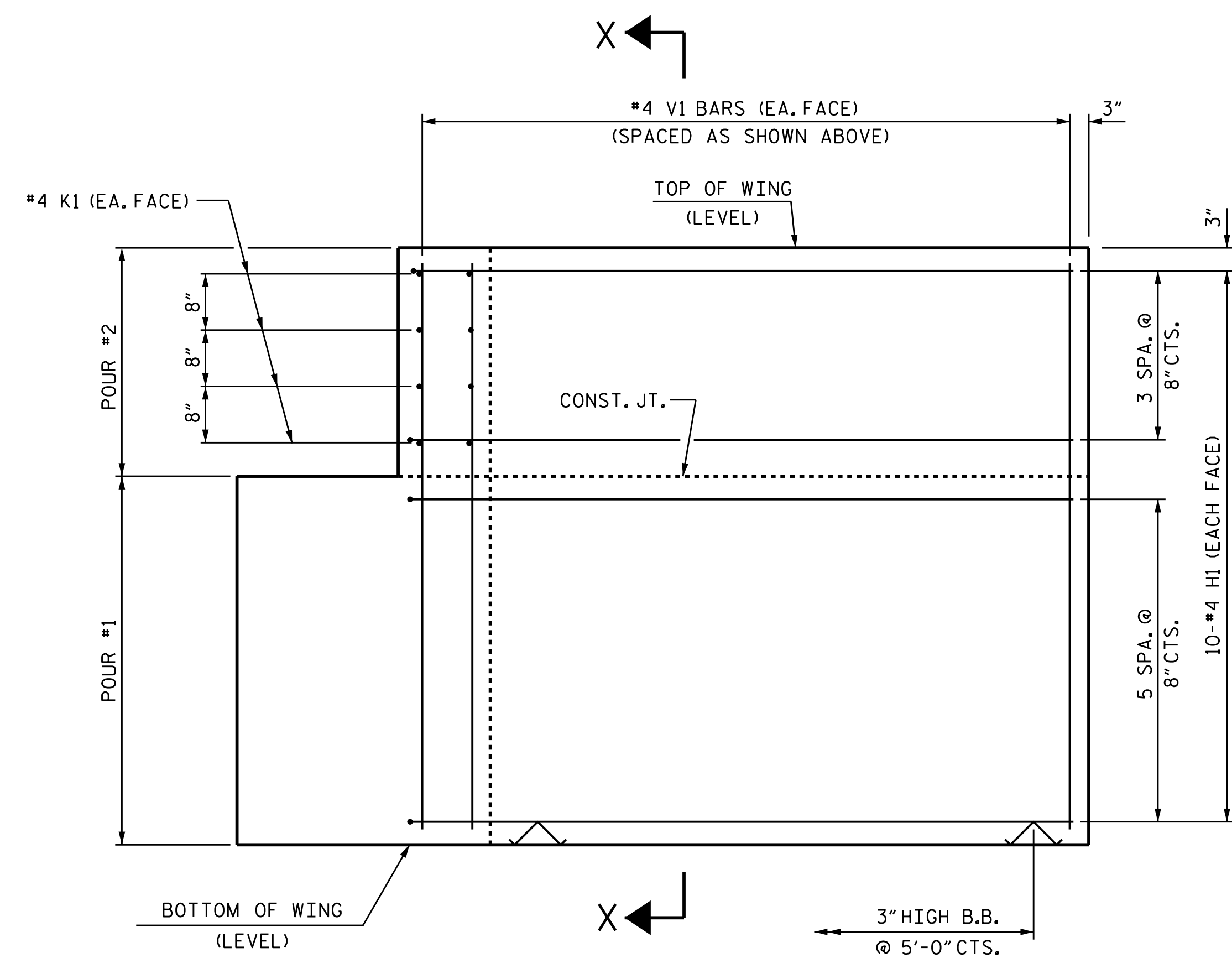
PLAN OF WING (W1)



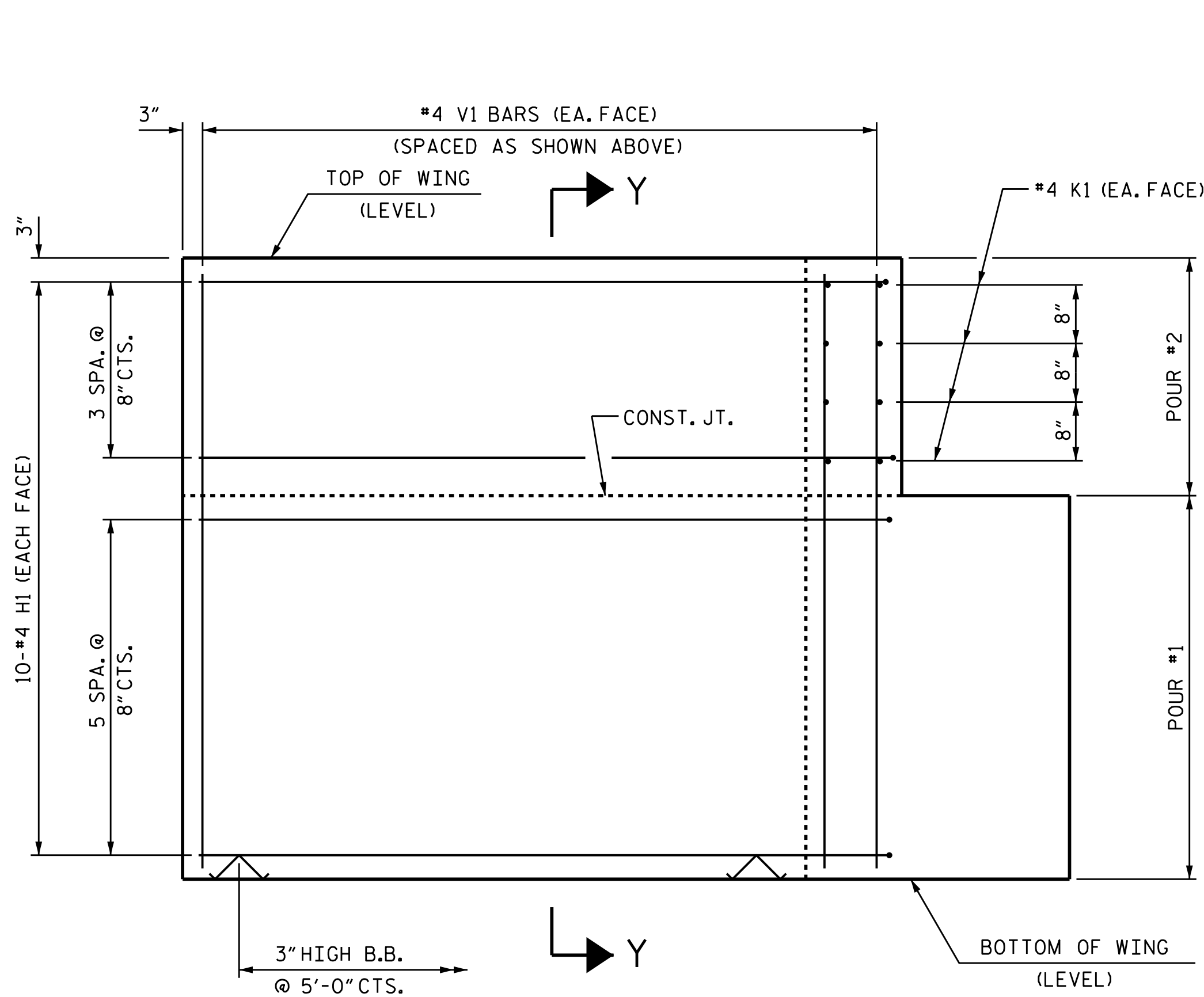
PLAN OF WING (W2)



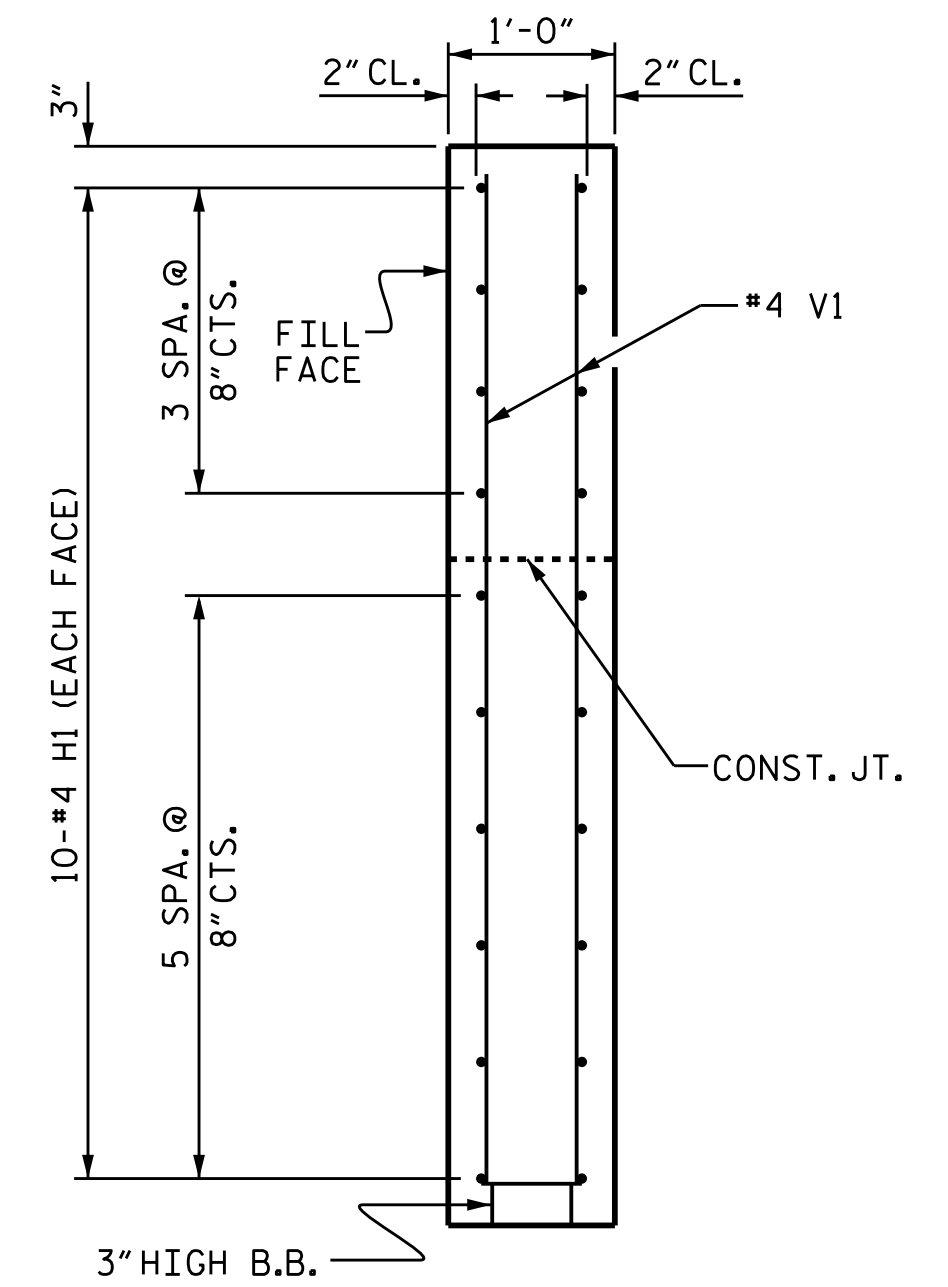
SECTION X-X



ELEVATION OF WING (W1)



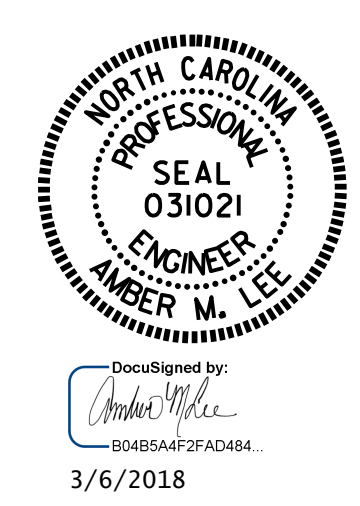
ELEVATION OF WING (W2)



SECTION Y-Y

PROJECT NO. B-5407  
 POLK COUNTY  
 STATION: 13+52.00 -L-

SHEET 3 OF 4



STATE OF NORTH CAROLINA  
 DEPARTMENT OF TRANSPORTATION  
 RALEIGH  
 SUBSTRUCTURE  
 END BENT  
 WING DETAILS

ASSEMBLED BY : A. GODFREY	DATE : 10/2017
CHECKED BY : G. KOUCHEKI	DATE : 12/2017
DRAWN BY : WJH 12/11	REV. 4/15
CHECKED BY : AAC 12/11	MAA/TMG

DOCUMENT NOT CONSIDERED  
 FINAL UNLESS ALL  
 SIGNATURES COMPLETED

REVISIONS						SHEET NO.	
NO.	BY:	DATE:	NO.	BY:	DATE:	S-18	
1			3			TOTAL SHEETS 24	
2			4				

WING DETAILS