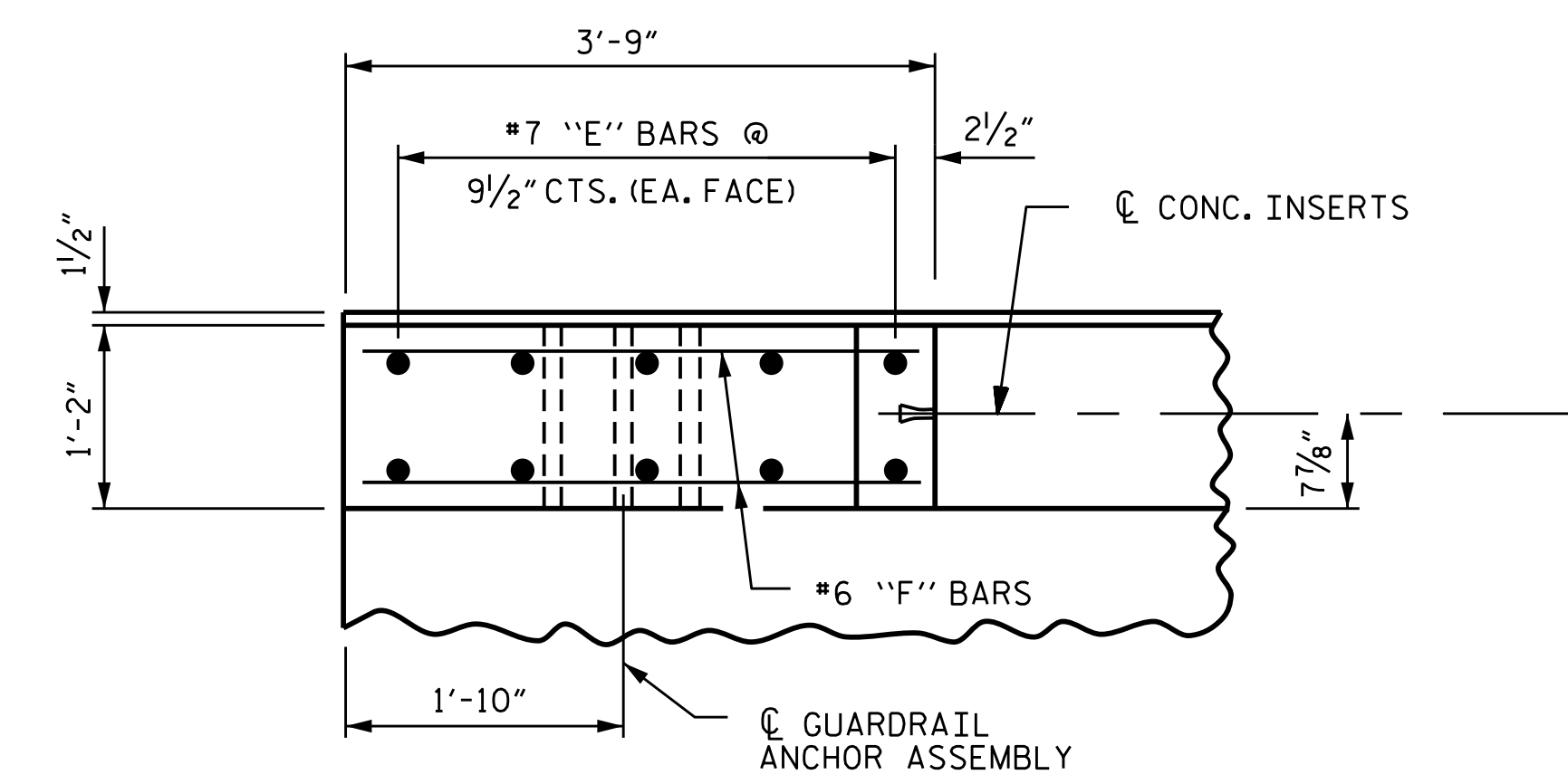
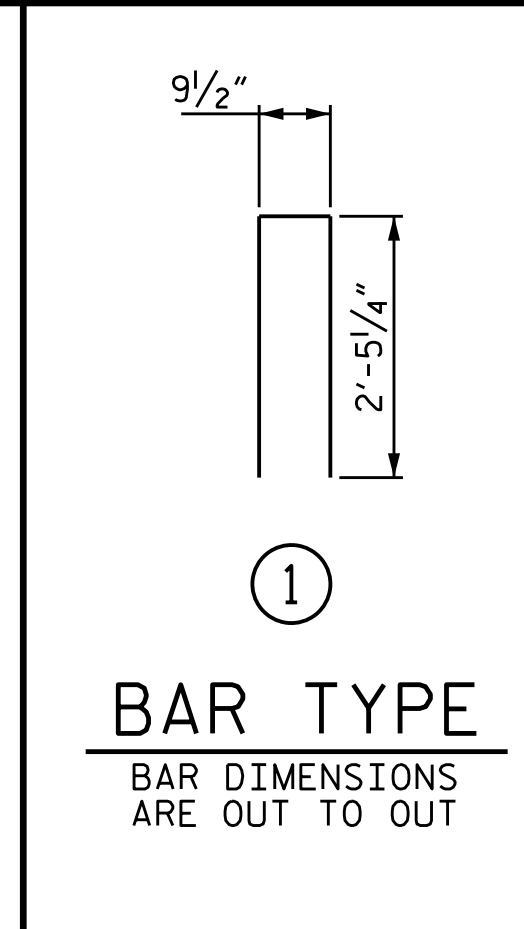


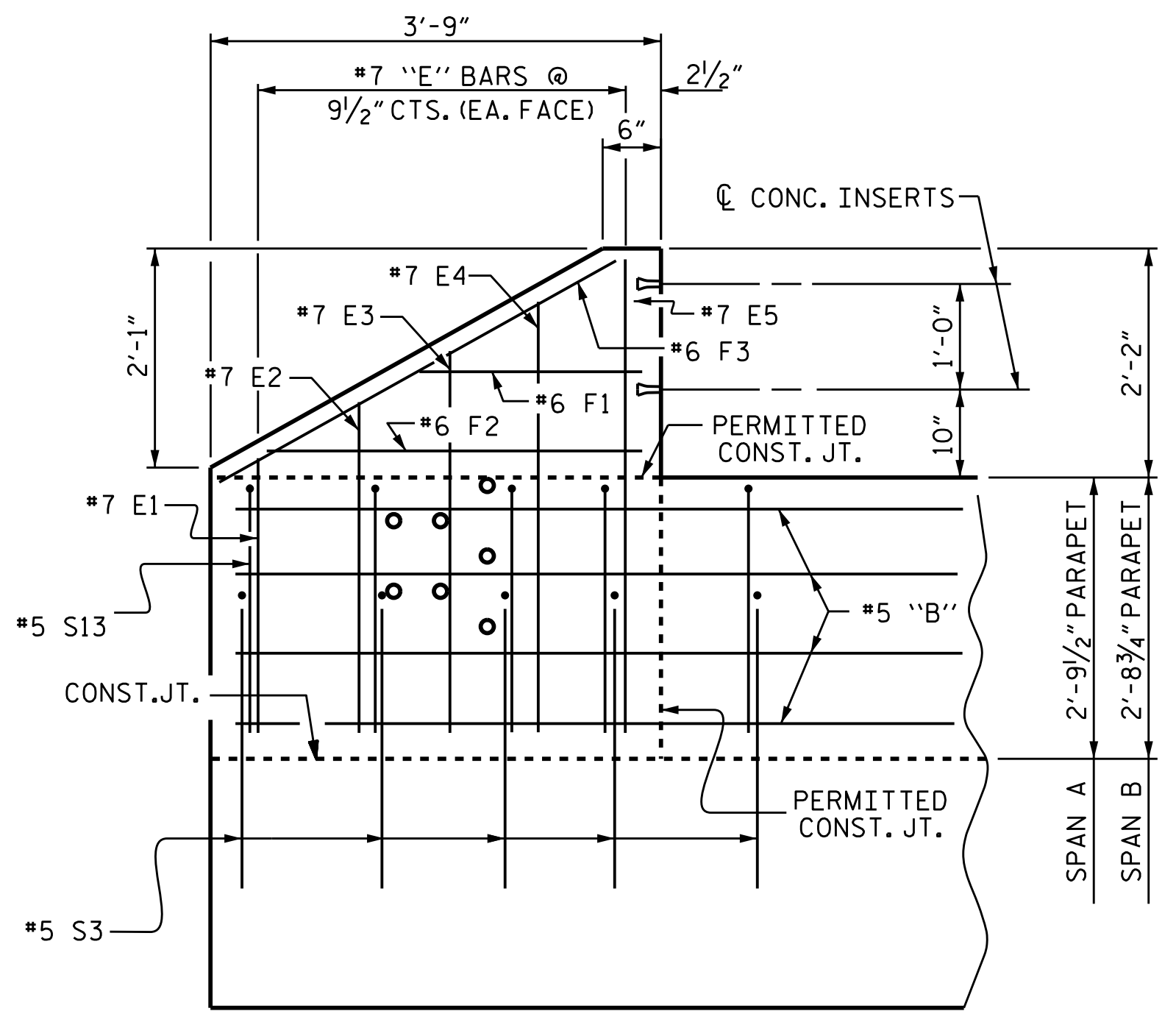
PLAN OF PARAPET



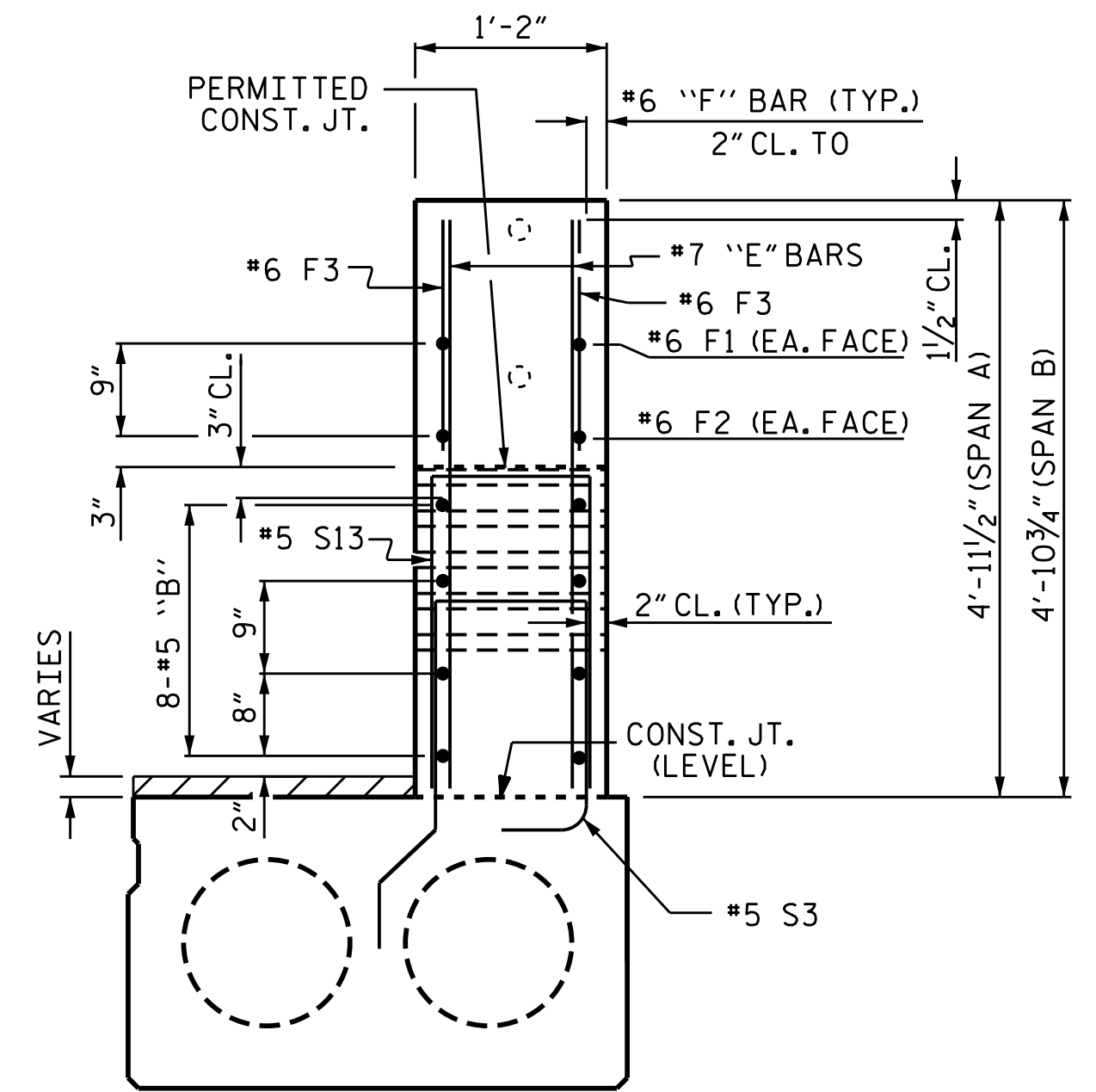
PLAN OF END POST



BILL OF MATERIAL FOR PARAPETS AND END POSTS					
BAR	TOTAL NO.	SIZE	TYPE	LENGTH	WEIGHT
*B24	32	#5	STR	19'-7"	654
*B25	48	#5	STR	22'-11"	1147
*E1	8	#7	STR	2'-6"	41
*E2	8	#7	STR	3'-0"	49
*E3	8	#7	STR	3'-6"	57
*E4	8	#7	STR	4'-0"	65
*E5	8	#7	STR	4'-4"	71
*F1	8	#6	STR	1'-7"	19
*F2	8	#6	STR	2'-9"	33
*F3	8	#6	STR	3'-8"	44
*S13	216	#5	1	5'-8"	1277
EPOXY COATED REINF. STEEL				LBS.	3457
CLASS AA CONCRETE				CU. YDS.	25.8
TOTAL LIN. FT. OF CONC. PARAPET					220.25



ELEVATION



END VIEW

PARAPET AND END POST FOR TWO BAR RAIL

NOTES

FOR DETAILS OF CONCRETE INSERT AND GUARDRAIL ANCHOR ASSEMBLY, SEE "RAIL POST SPACINGS AND END OF RAIL DETAILS" SHEETS.

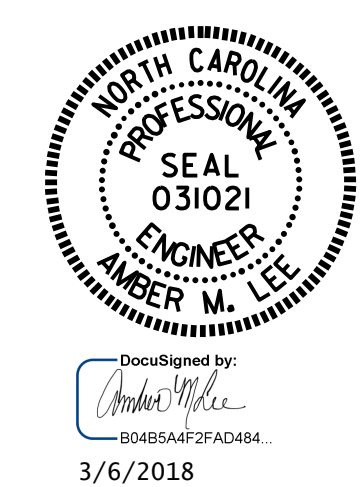
ALL DIMENSIONS ARE TAKEN ALONG OUTSIDE EDGE OF PARAPET.

ALL REINFORCING STEEL IN CONCRETE PARAPET SHALL BE EPOXY COATED.

THE REINFORCING STEEL & CONCRETE IN THE END POSTS IS INCLUDED IN THE UNIT PRICE BID FOR THE CONCRETE PARAPET.

PROJECT NO. B-5407
POLK COUNTY
 STATION: 13+52.00 -L-

SHEET 4 OF 4



STATE OF NORTH CAROLINA
 DEPARTMENT OF TRANSPORTATION
 RALEIGH
 SUPERSTRUCTURE
 CONCRETE PARAPET
 DETAILS

DRAWN BY : A. GODFREY DATE : 09/2017
 CHECKED BY : G. KOUCHEKI DATE : 12/2017

DOCUMENT NOT CONSIDERED
 FINAL UNLESS ALL
 SIGNATURES COMPLETED

REVISIONS						SHEET NO.
NO.	BY:	DATE:	NO.	BY:	DATE:	
1			3			S-14
2			4			TOTAL SHEETS 24