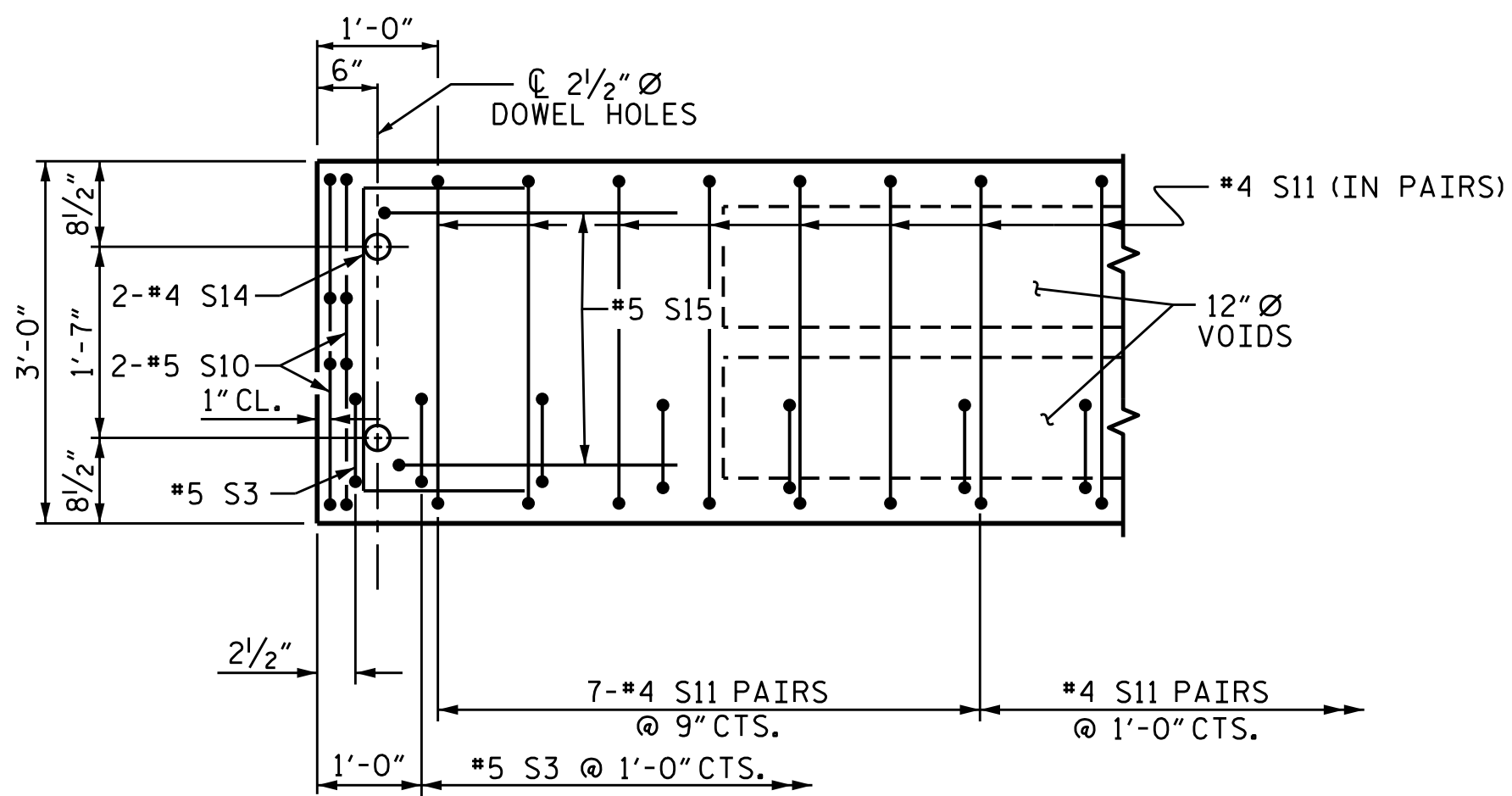
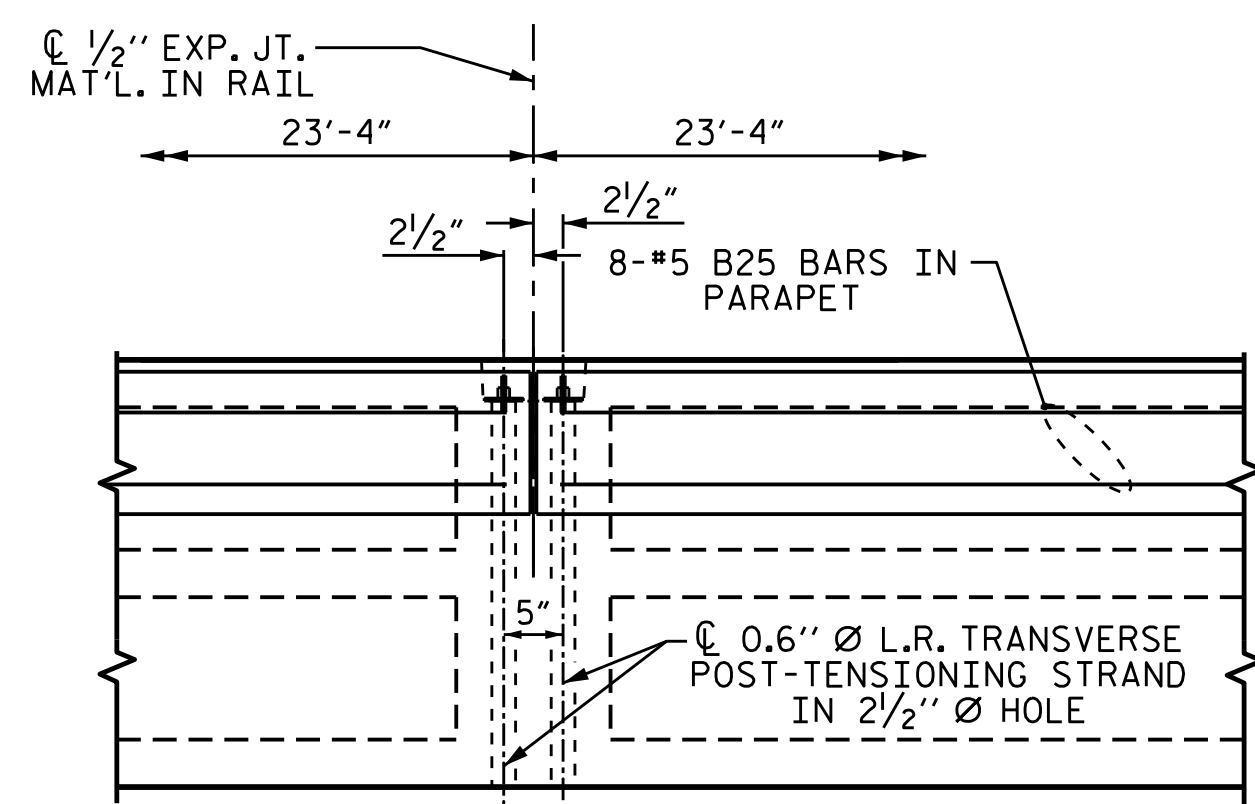


PLAN OF SPAN A



DETAIL "A"



DETAIL "B"

#4 S11 BARS MAY BE SHIFTED AS NECESSARY TO MAINTAIN 1" CLEAR TO GROUDED RECESS AND 2 1/2" Ø TRANSVERSE POST-TENSIONING STRAND HOLES

ASSEMBLED BY : A. GODFREY	DATE : 09/2017
CHECKED BY : G. KOUCHEKI	DATE : 12/2017
DRAWN BY : MAA	6/10
CHECKED BY : MKT	7/10
REV. 12/5/11	MAA/AAC
REV. 8/14	MAA/TMG

(TYPICAL EACH END OF UNIT)  
NOTE: EXTERIOR UNIT SHOWN - INTERIOR UNIT SIMILAR EXCEPT OMIT #5 S3 BARS.



PROJECT NO. B-5407  
POLK COUNTY  
STATION: 13+52.00 -L-

SHEET 3 OF 5

STATE OF NORTH CAROLINA  
DEPARTMENT OF TRANSPORTATION  
RALEIGH  
PLAN OF 70' UNIT  
30'-6" CLEAR ROADWAY  
SPAN A  
90° SKEW

DOCUMENT NOT CONSIDERED FINAL UNLESS ALL SIGNATURES COMPLETED

REVISIONS						SHEET NO.
NO.	BY:	DATE:	NO.	BY:	DATE:	S-8
1			3			TOTAL SHEETS 24
2			4			