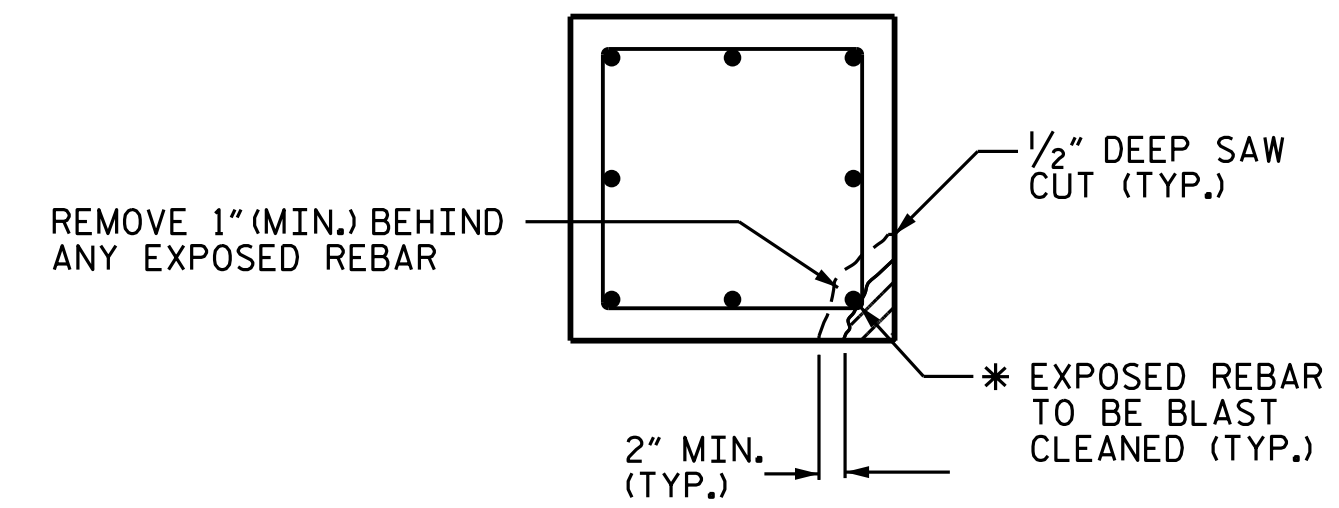
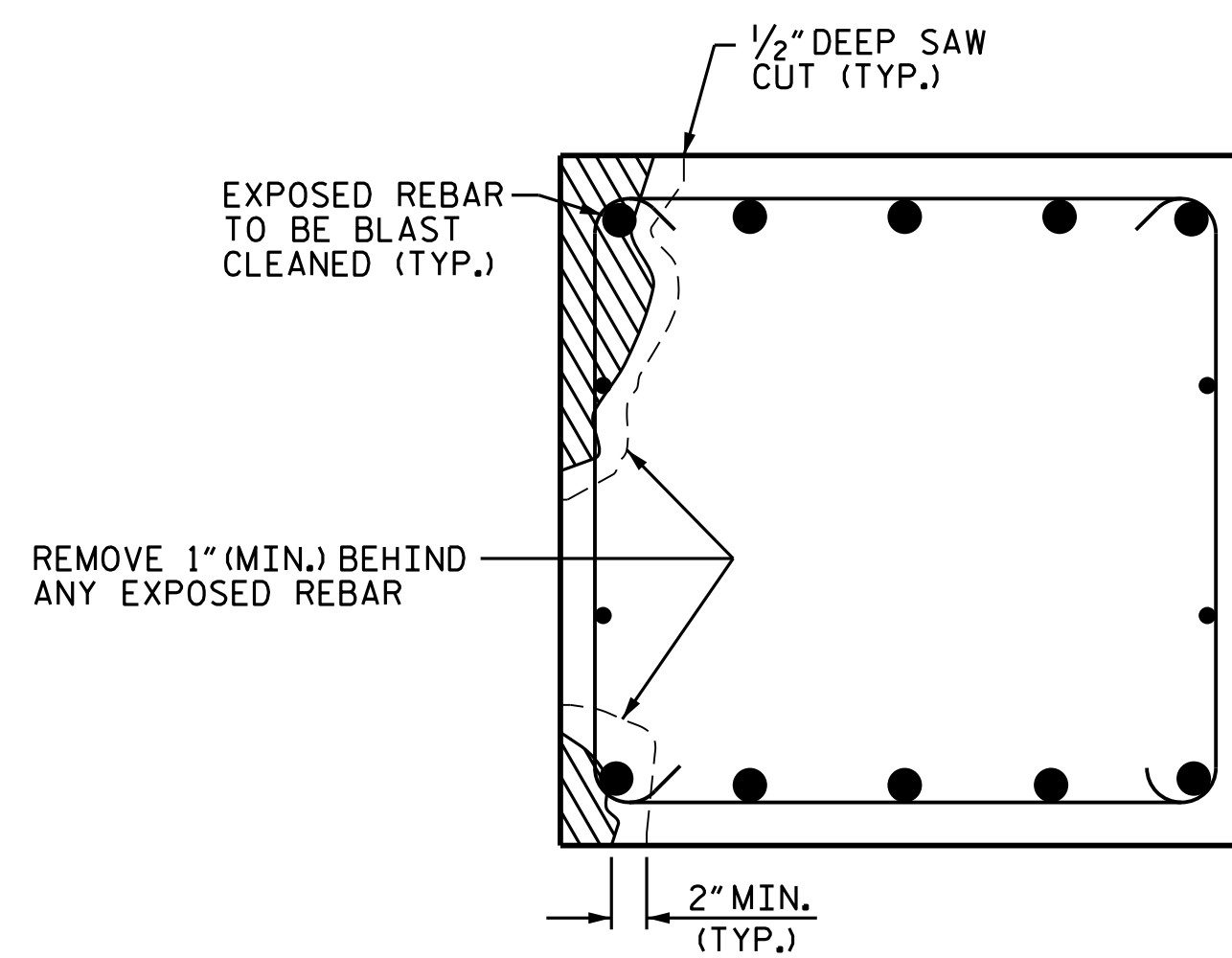


BENT CAP REPAIRS

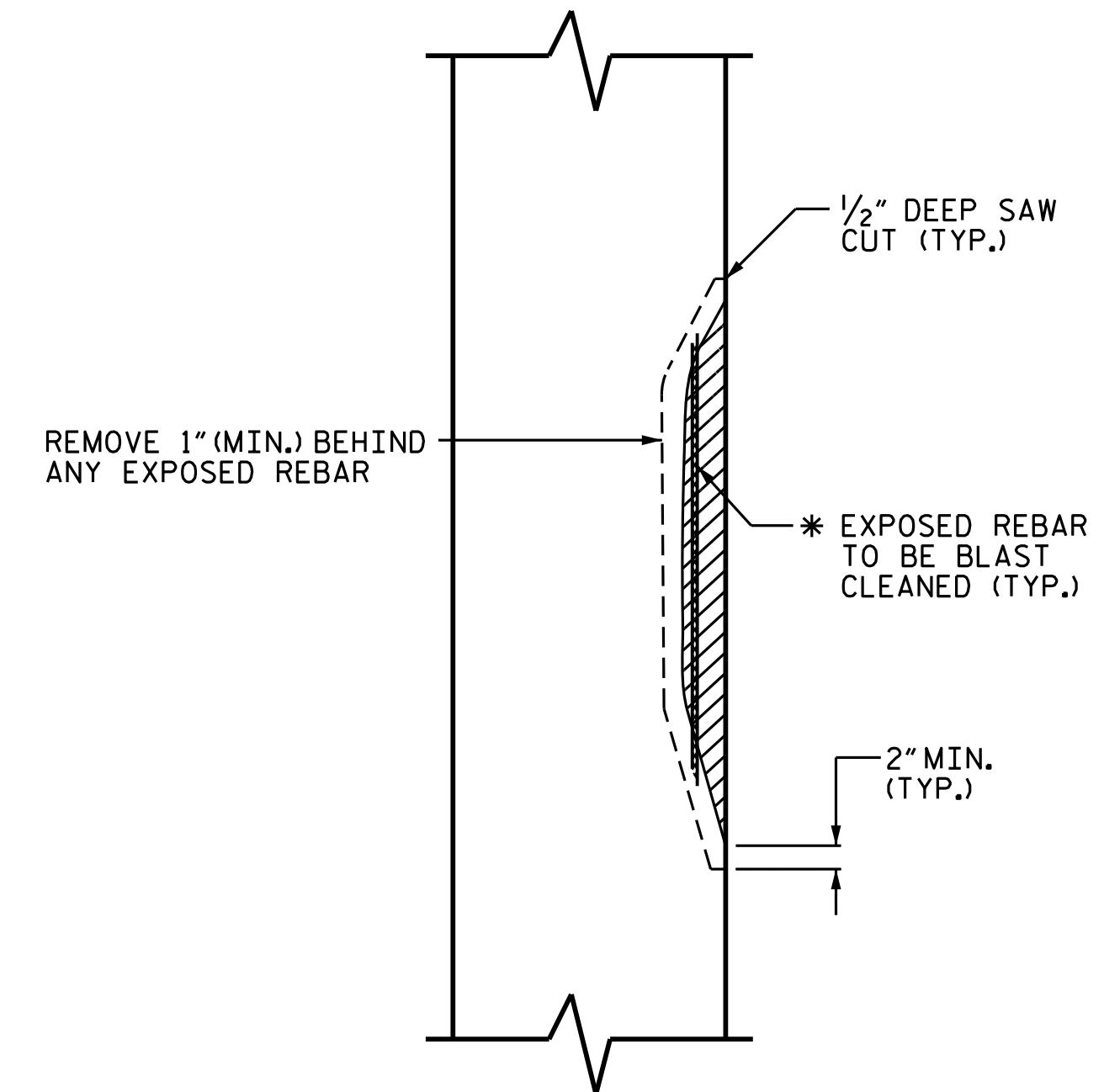


PLAN OF COLUMN



SECTION A-A

CAP REPAIR



* REPAIR LENGTH SHALL NOT EXCEED 10 FEET.

ELEVATION OF COLUMN

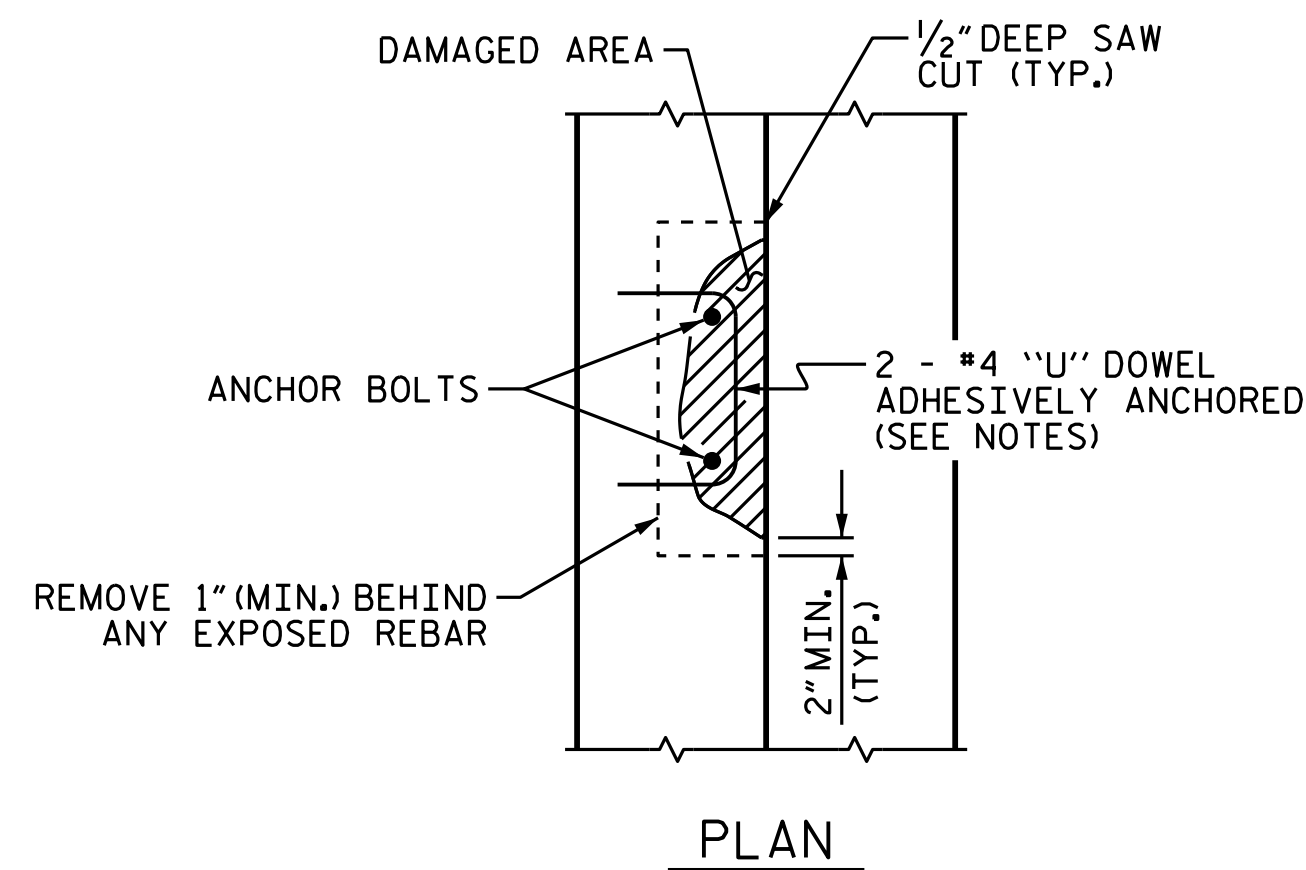
COLUMN REPAIR

NOTES

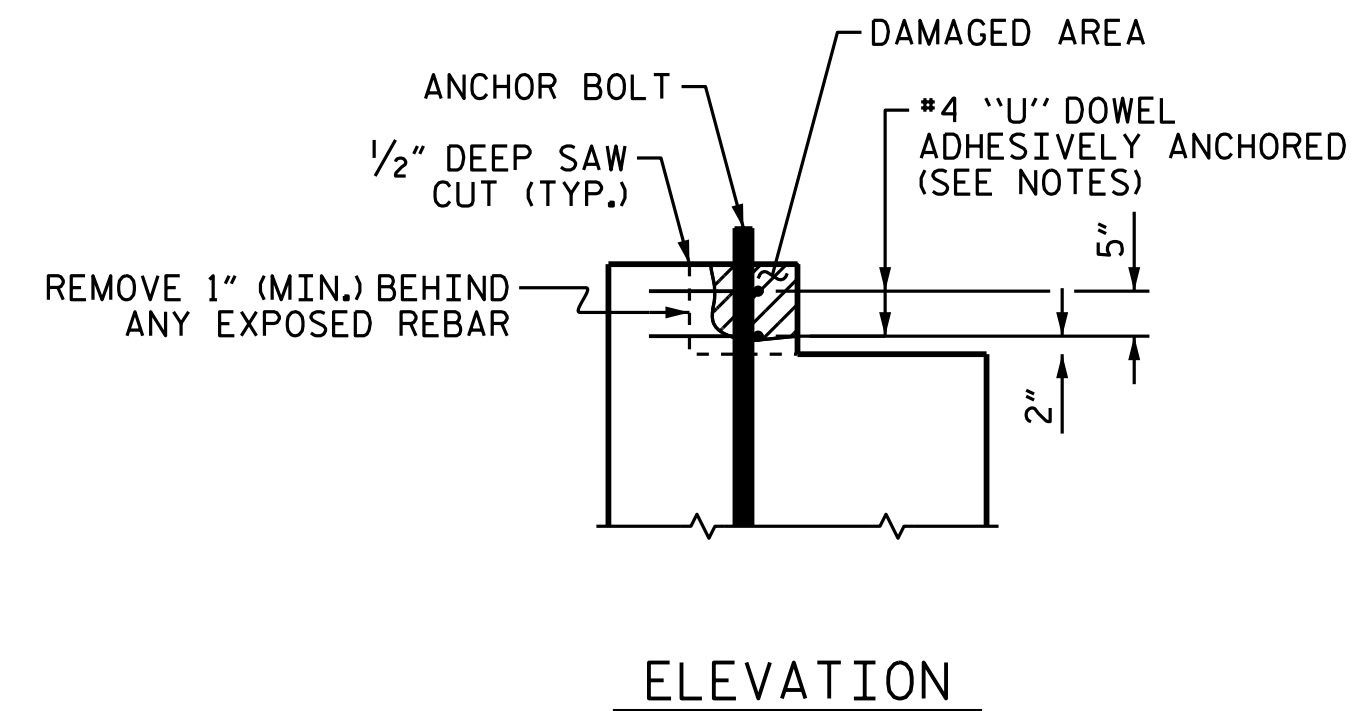
TYPICAL BENT CAP REPAIRS ARE SHOWN. REPAIR DETAILS SIMILAR FOR END BENT CAPS AND STRUTS.

THE #4 "U" DOWELS ARE REQUIRED ONLY AROUND THE ANCHOR BOLTS. THE EXISTING REINFORCING STEEL IN THE PEDESTAL WALL SHALL BE CLEANED, STRAIGHTENED AND REMAIN IN PLACE.

FOR ADHESIVELY ANCHORED ANCHOR BOLTS OR DOWELS, SEE STANDARD SPECIFICATIONS.



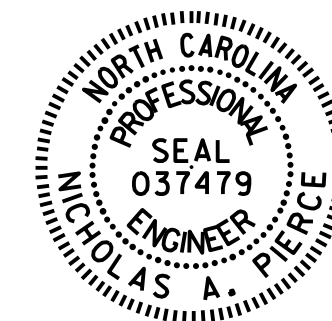
PLAN



ELEVATION

PEDESTAL WALL REPAIR

PROJ. NO. I-5825
 MECKLENBURG COUNTY
 BRIDGE NO. 215



DocuSigned by:
 Nicholas Pierce
 151108434008485... 3/2/2018

STATE OF NORTH CAROLINA
 DEPARTMENT OF TRANSPORTATION
 RALEIGH

TYPICAL CAP
 AND COLUMN
 REPAIR DETAILS

DRAWN BY : E. K. POPE DATE : 1/18
 CHECKED BY : N. A. PIERCE DATE : 1/18

DOCUMENT NOT CONSIDERED
 FINAL UNLESS ALL
 SIGNATURES COMPLETED

REVISIONS						SHEET NO.
NO.	BY:	DATE:	NO.	BY:	DATE:	S-30
1			3			TOTAL SHEETS
2			4			31