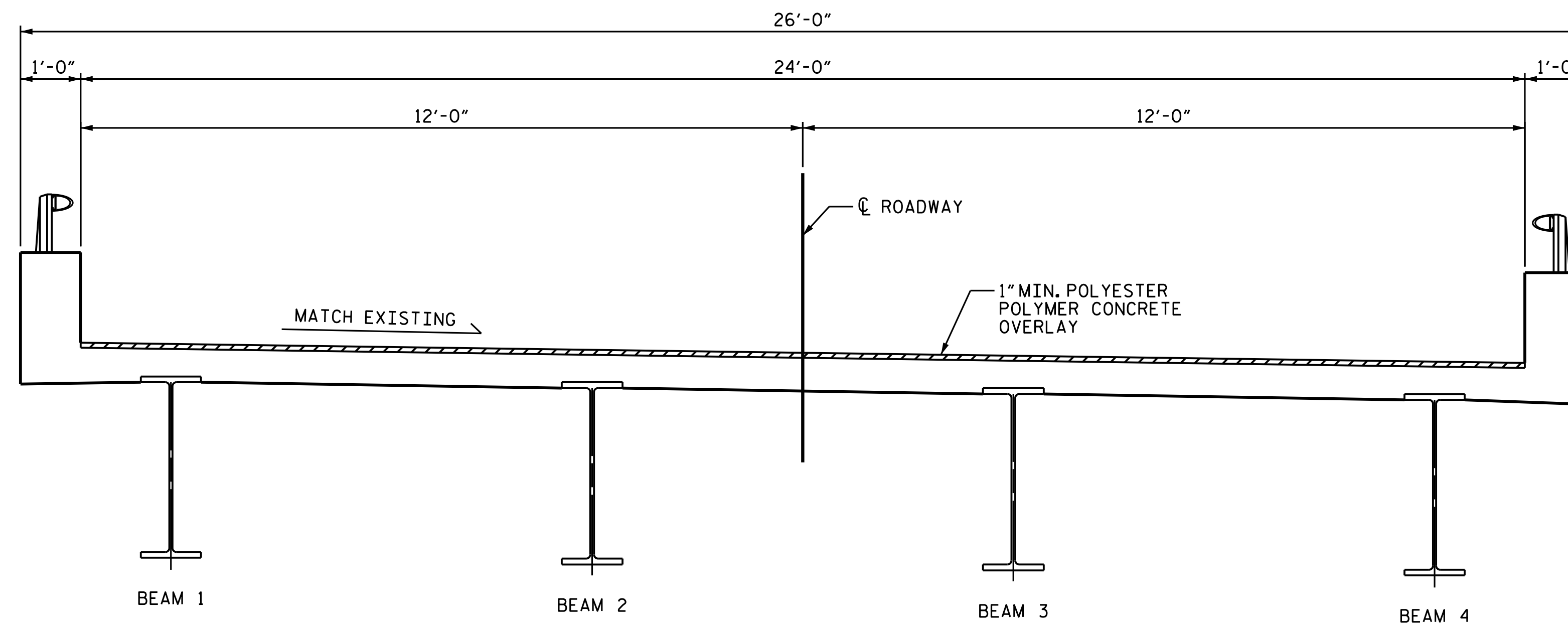
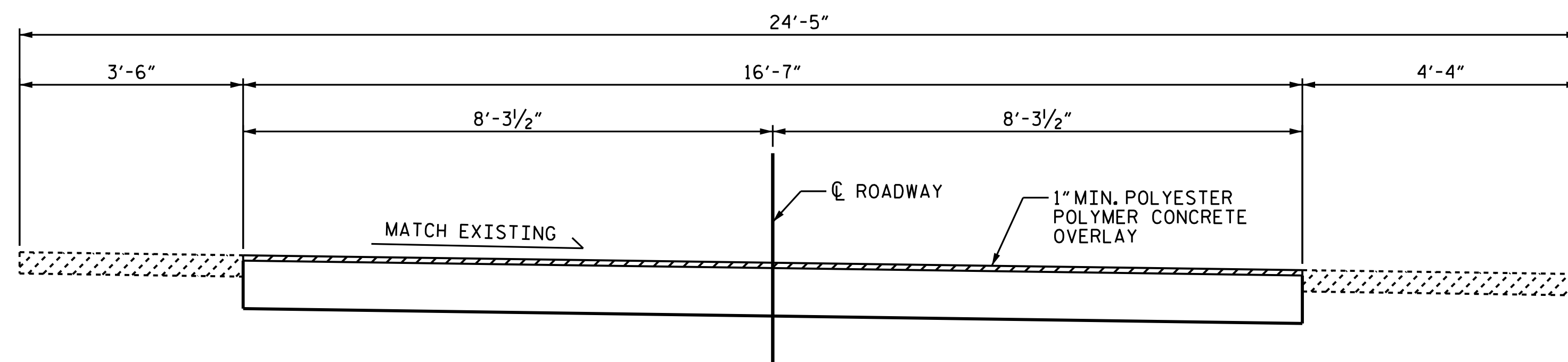


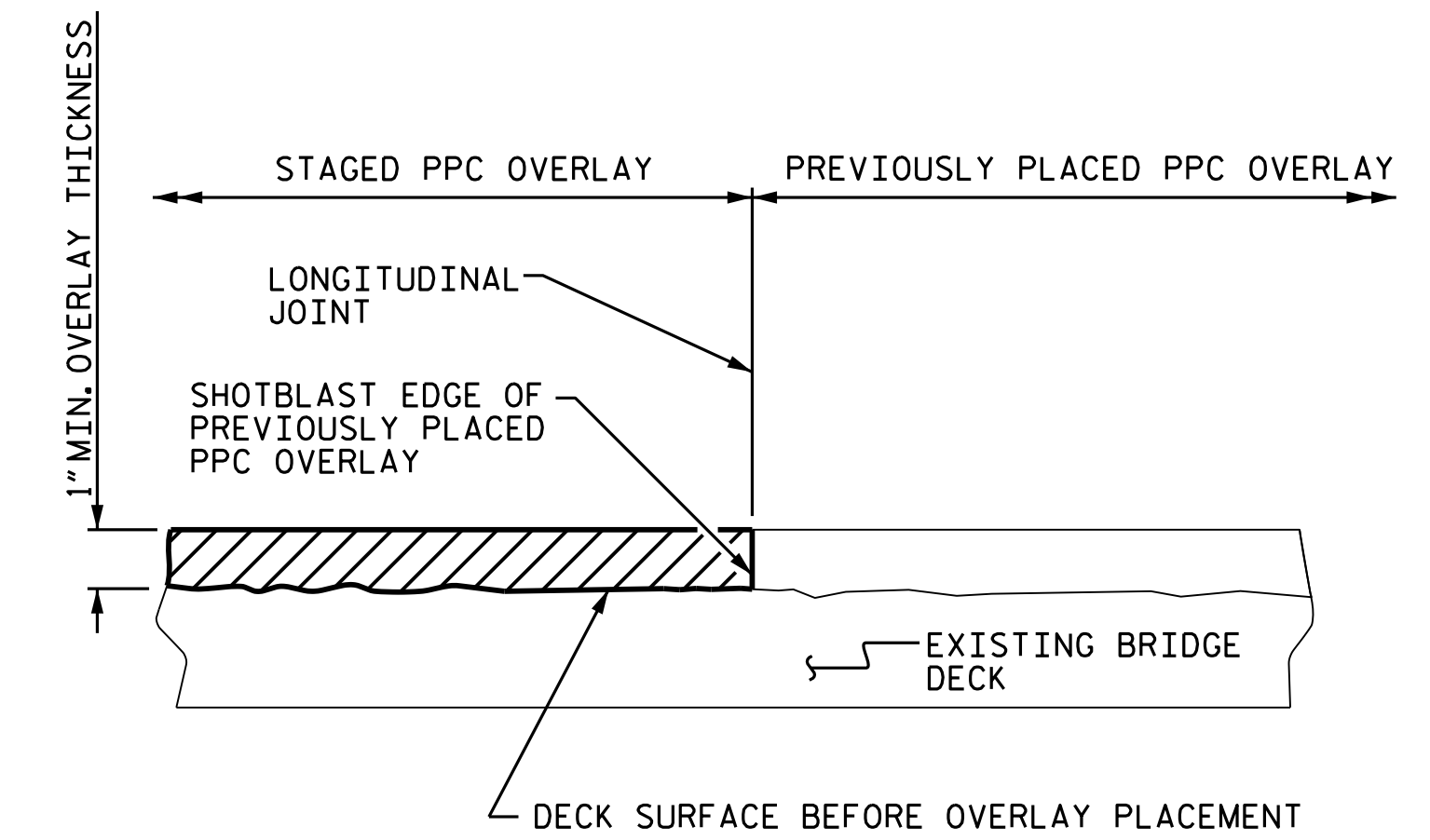
PROPOSED APPROACH ROADWAY 1



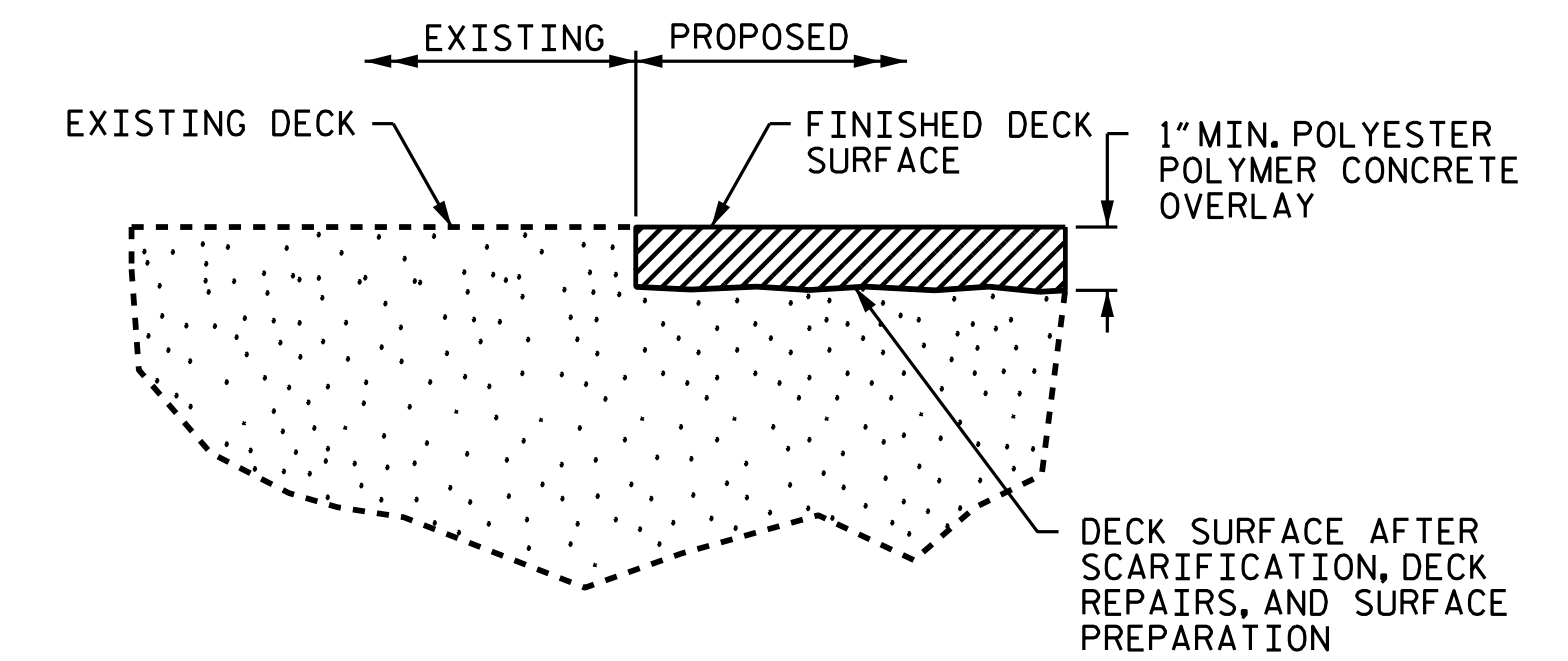
PROPOSED TYPICAL SECTION



PROPOSED APPROACH ROADWAY 2



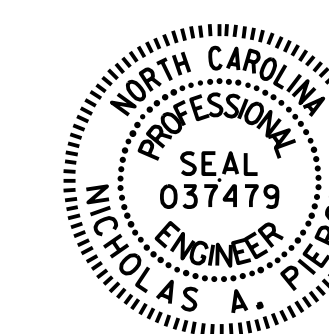
STAGED PPC OVERLAY JOINT
(AS NEEDED)



DETAIL FOR POLYESTER
POLYMER CONCRETE OVERLAY

PROJECT NO. I-5825
MECKLENBURG COUNTY
 BRIDGE NO. 215

SHEET 2 OF 2



DocuSigned by:
 Nicholas Pierce
 15110843008485 3/2/2018

STATE OF NORTH CAROLINA
 DEPARTMENT OF TRANSPORTATION
 RALEIGH

TYPICAL SECTION
 AND PPC OVERLAY
 DETAILS

DRAWN BY : E. K. POPE DATE : 1/18
 CHECKED BY : N. A. PIERCE DATE : 1/18

DOCUMENT NOT CONSIDERED
 FINAL UNLESS ALL
 SIGNATURES COMPLETED

REVISIONS						SHEET NO.
NO.	BY:	DATE:	NO.	BY:	DATE:	S-18
1			3			TOTAL SHEETS
2			4			31