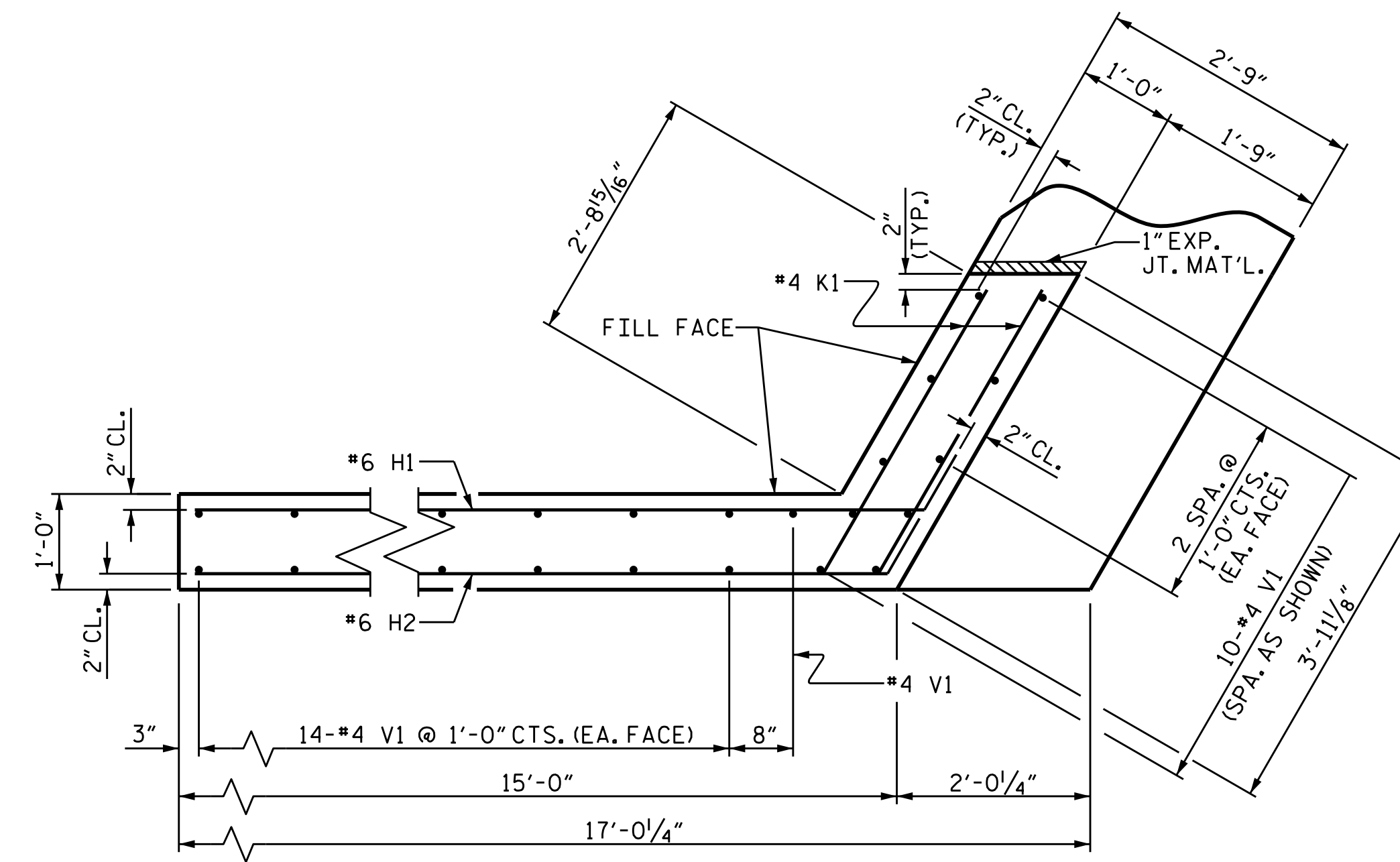
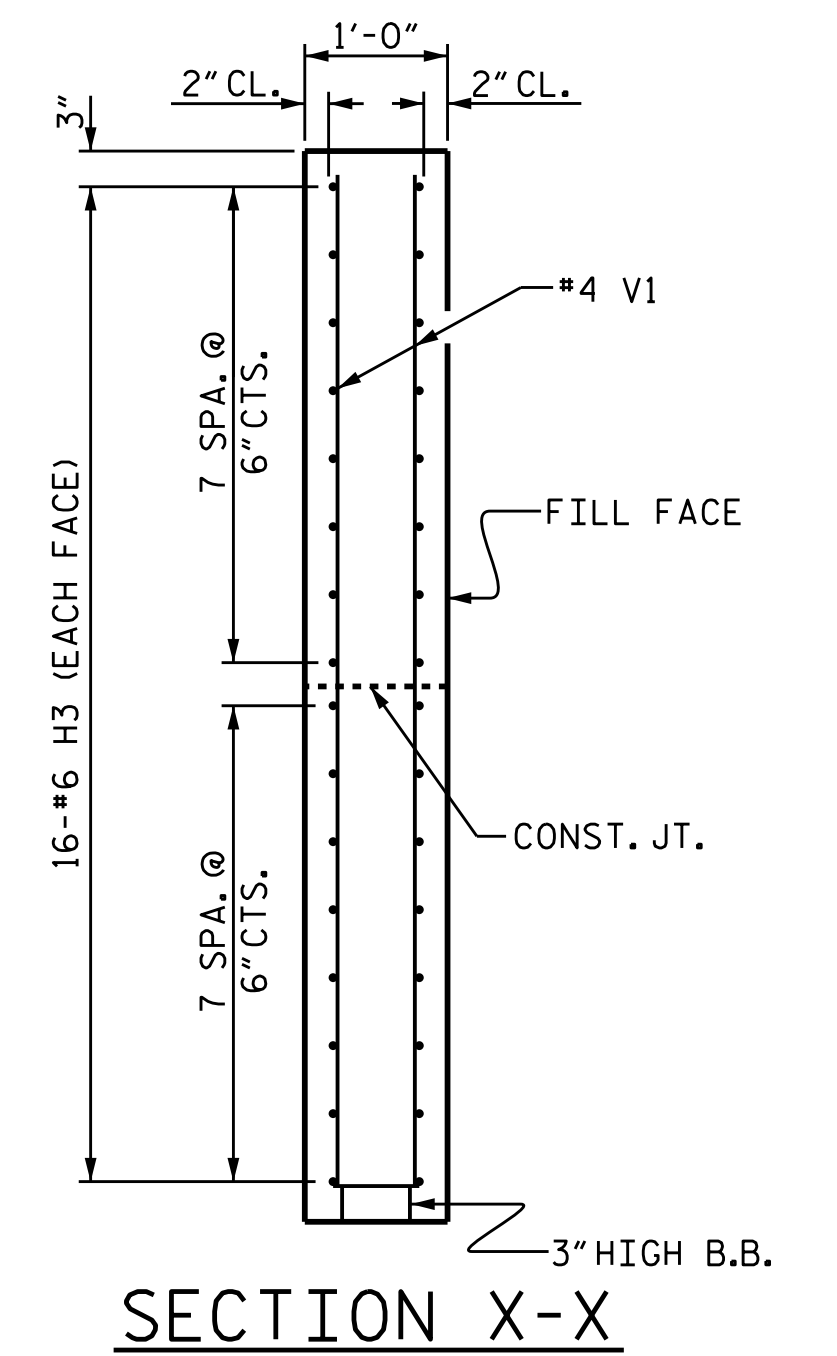


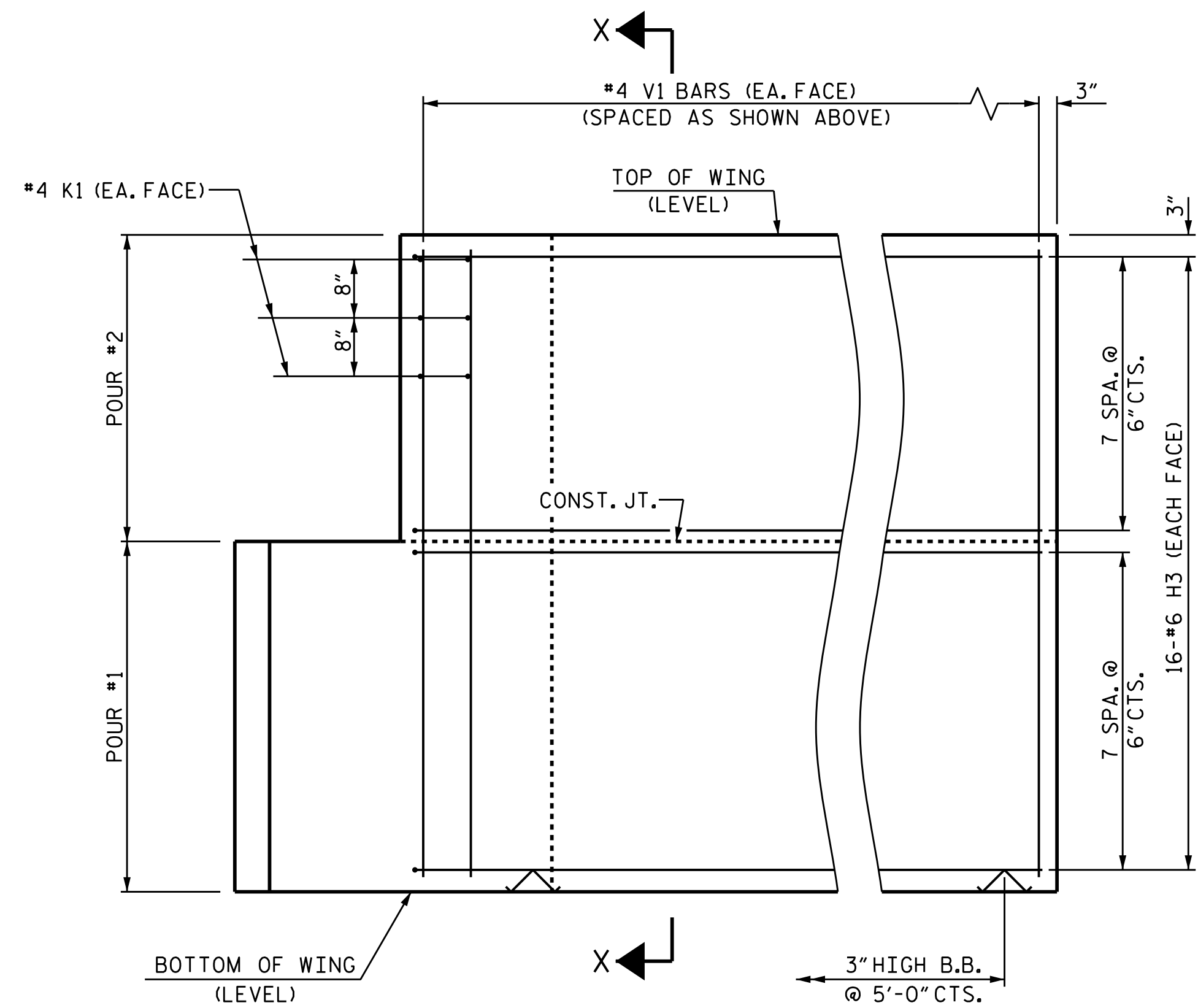
PLAN OF WING (W1)



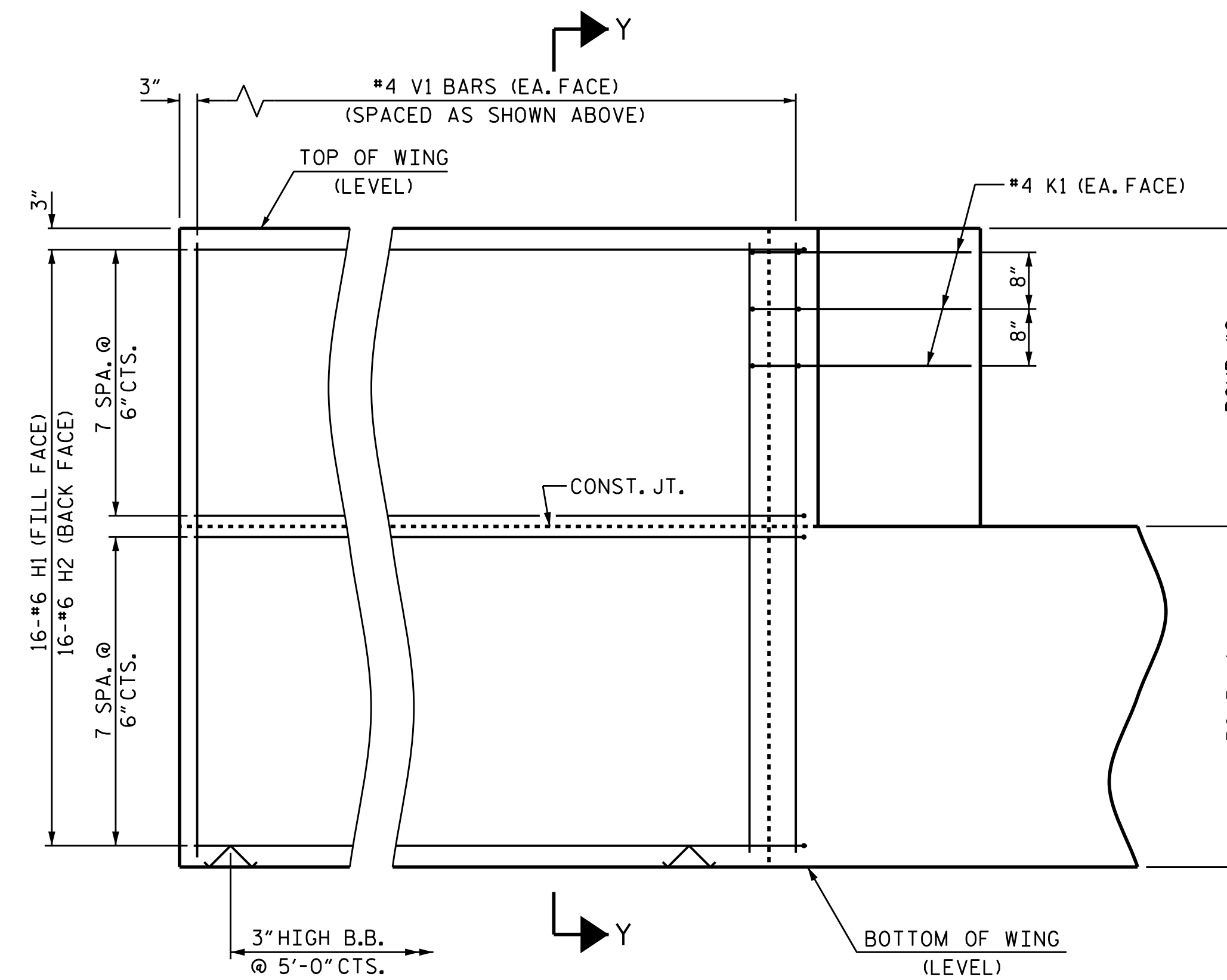
PLAN OF WING (W2)



SECTION X-X

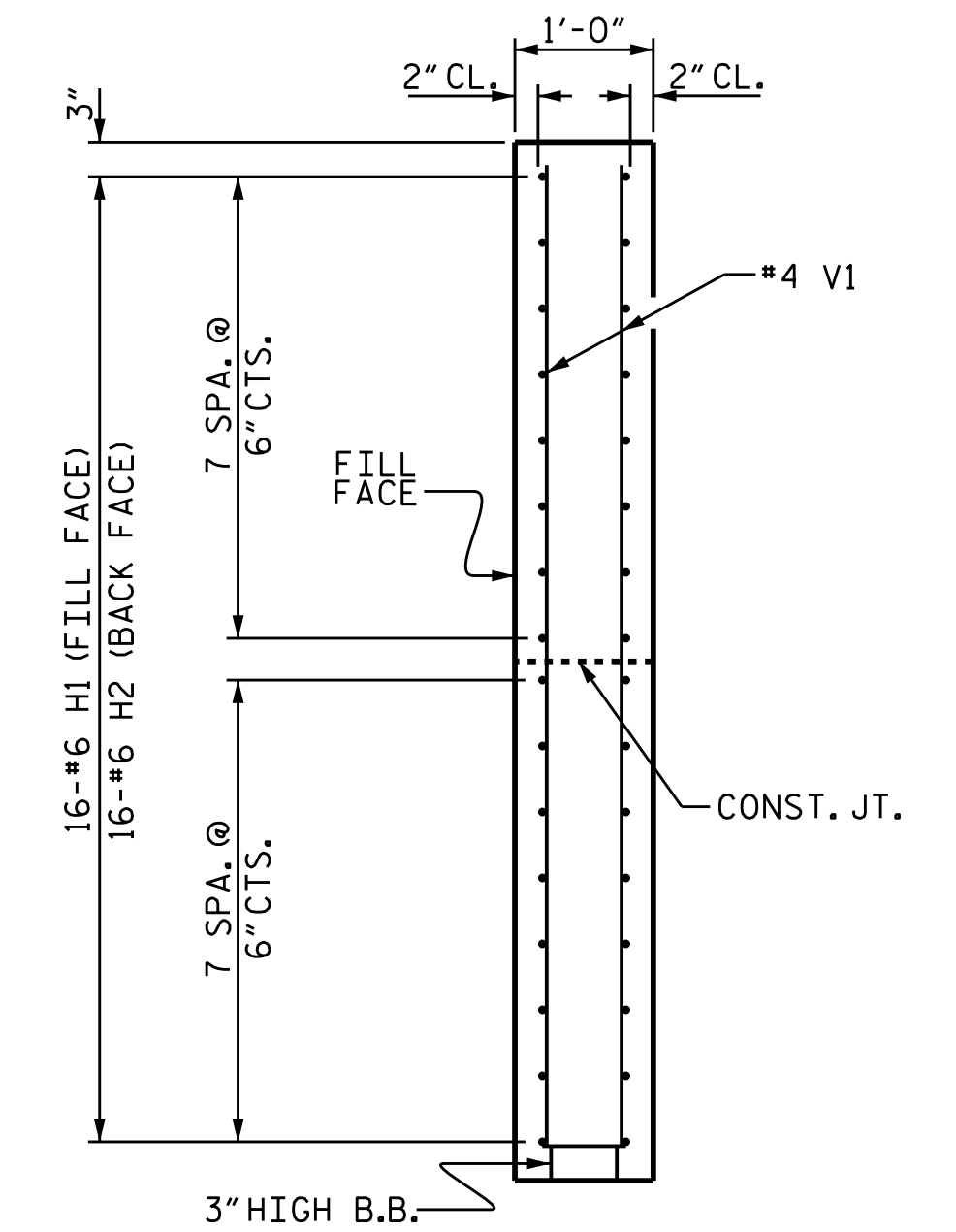


ELEVATION OF WING (W1)



ELEVATION OF WING (W2)

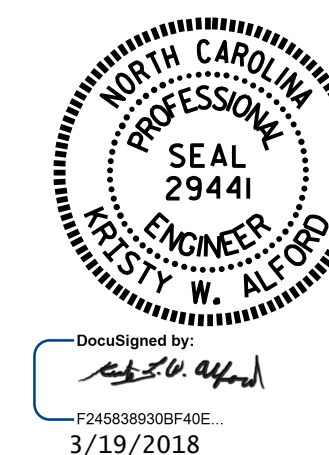
WING DETAILS



SECTION Y-Y

PROJECT NO. B-5320  
 GRANVILLE COUNTY  
 STATION: 15+98.00 -L-

SHEET 3 OF 4



STATE OF NORTH CAROLINA  
 DEPARTMENT OF TRANSPORTATION  
 RALEIGH  
 SUBSTRUCTURE  
 END BENT  
 WING DETAILS

ASSEMBLED BY : M. A. LESHURE	DATE : 1/18
CHECKED BY : K. W. ALFORD	DATE : 2/18
DRAWN BY : WJH 12/11	REV. 4/15
CHECKED BY : AAC 12/11	MAA/TMG

DOCUMENT NOT CONSIDERED  
 FINAL UNLESS ALL  
 SIGNATURES COMPLETED

REVISIONS						SHEET NO.	
NO.	BY:	DATE:	NO.	BY:	DATE:	S-19	
1			3			TOTAL SHEETS	
2			4			26	