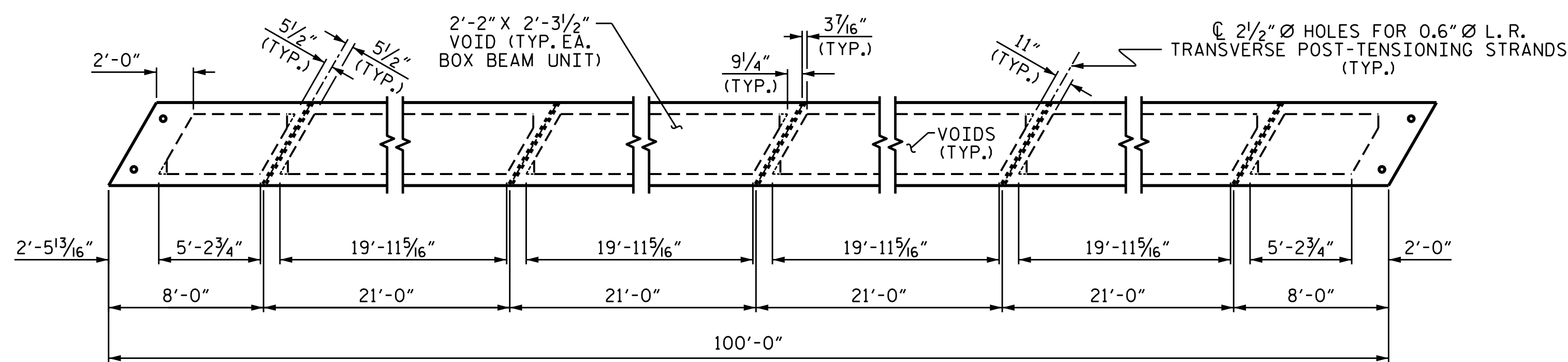


PLAN OF UNIT



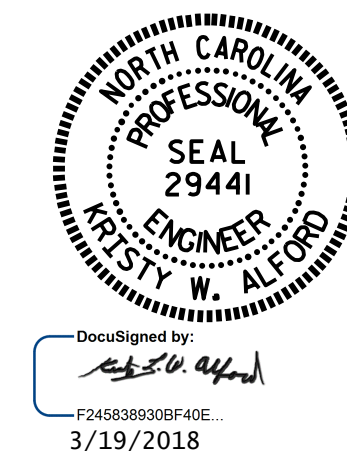
DIAPHRAGM AND VOID LAYOUT

PROJECT NO. B-5320
GRANVILLE COUNTY
 STATION: 15+98.00 -L-

SHEET 3 OF 9

STATE OF NORTH CAROLINA
 DEPARTMENT OF TRANSPORTATION
 RALEIGH

PLAN OF 100' UNIT
 30'-10" CLEAR ROADWAY
 120° SKEW



ASSEMBLED BY : M. A. LESHURE	DATE : 1/4/18
CHECKED BY : R. L. CHESSON	DATE : 1/18
DRAWN BY : DGE 10/11	REV. 8/14
CHECKED BY : TMG 11/11	MAA/TMG

DOCUMENT NOT CONSIDERED
 FINAL UNLESS ALL
 SIGNATURES COMPLETED

REVISIONS						SHEET NO.
NO.	BY:	DATE:	NO.	BY:	DATE:	S-9
1			3			TOTAL SHEETS 26
2			4			