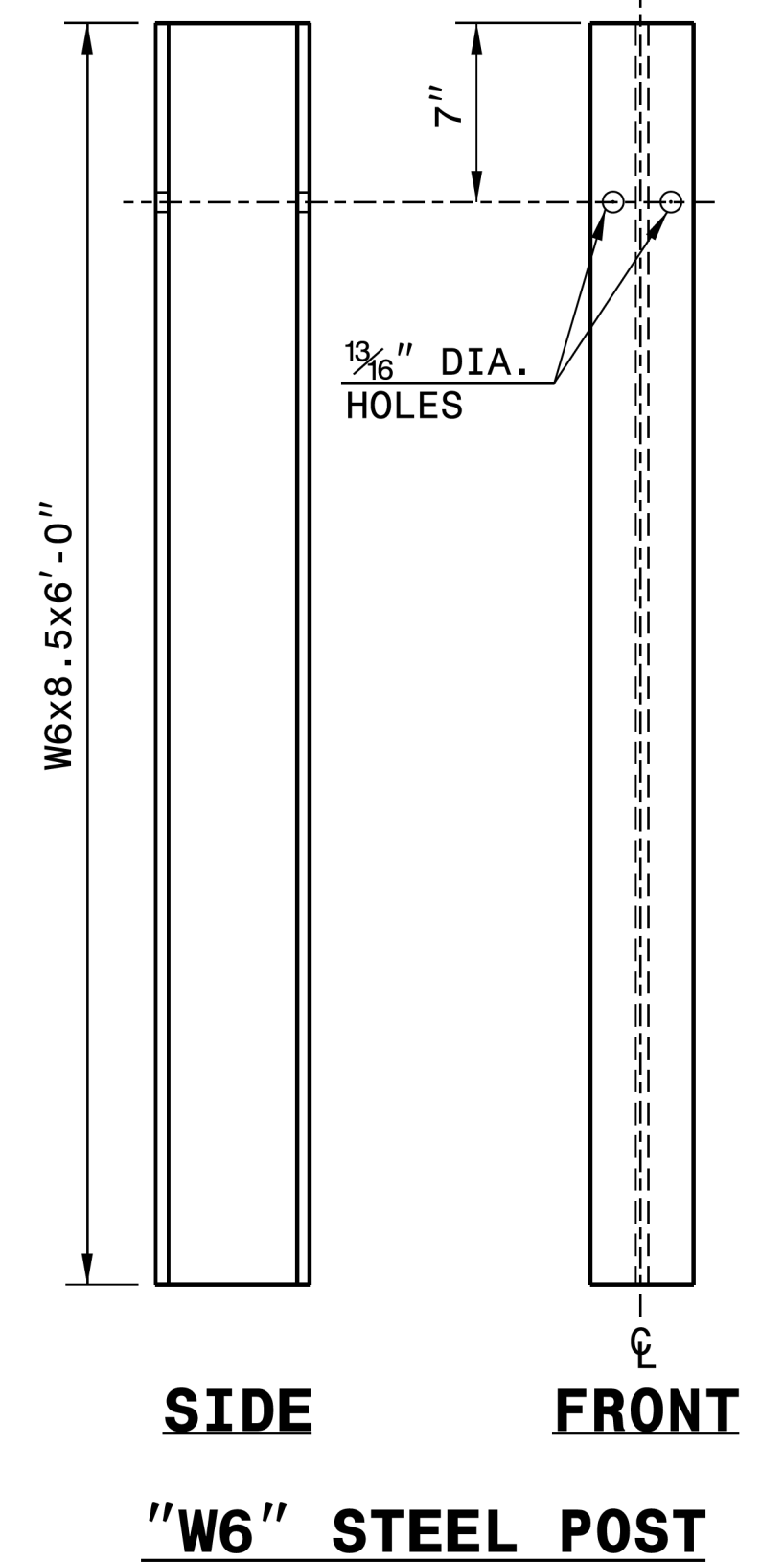
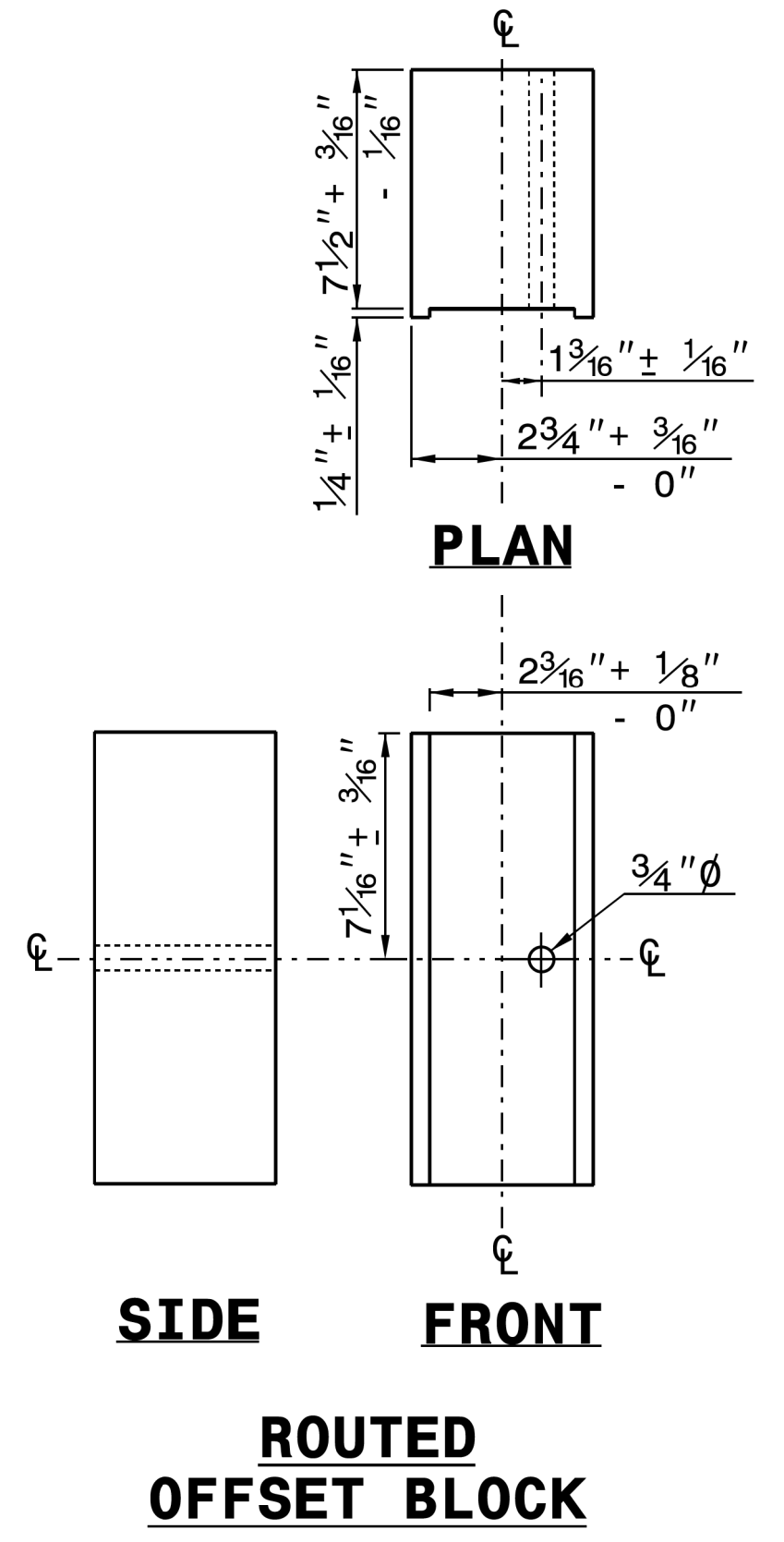
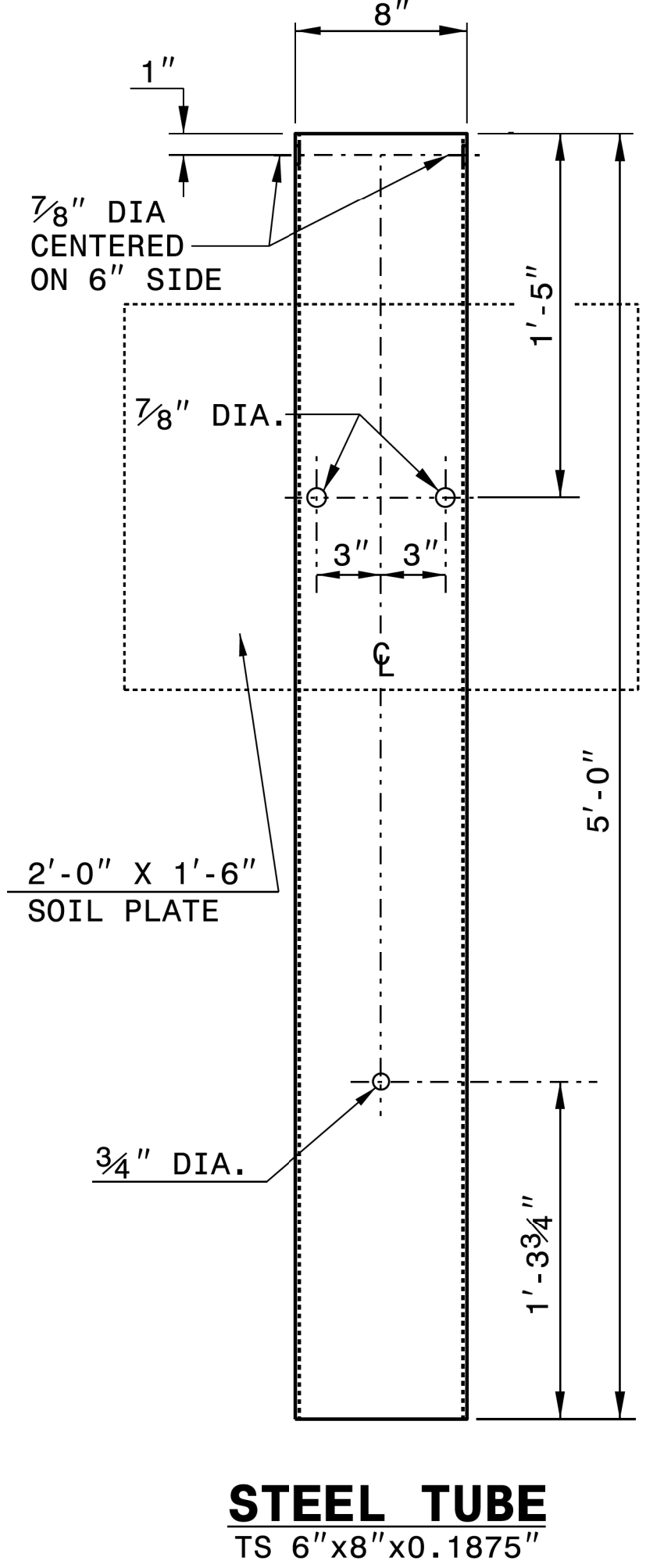
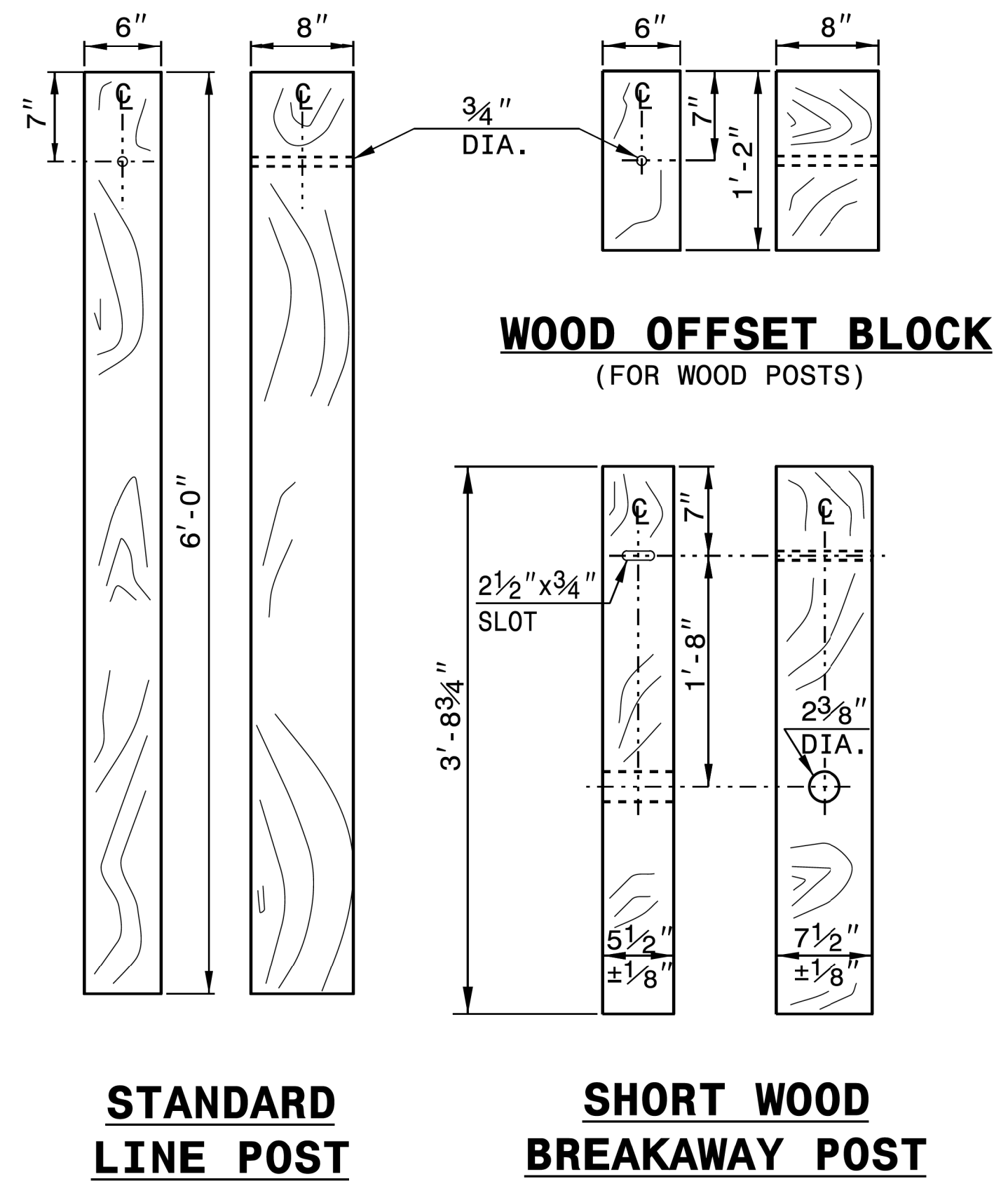
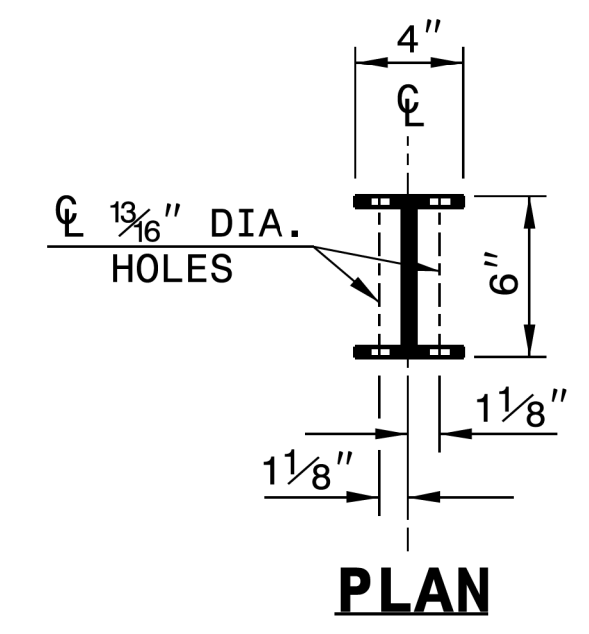
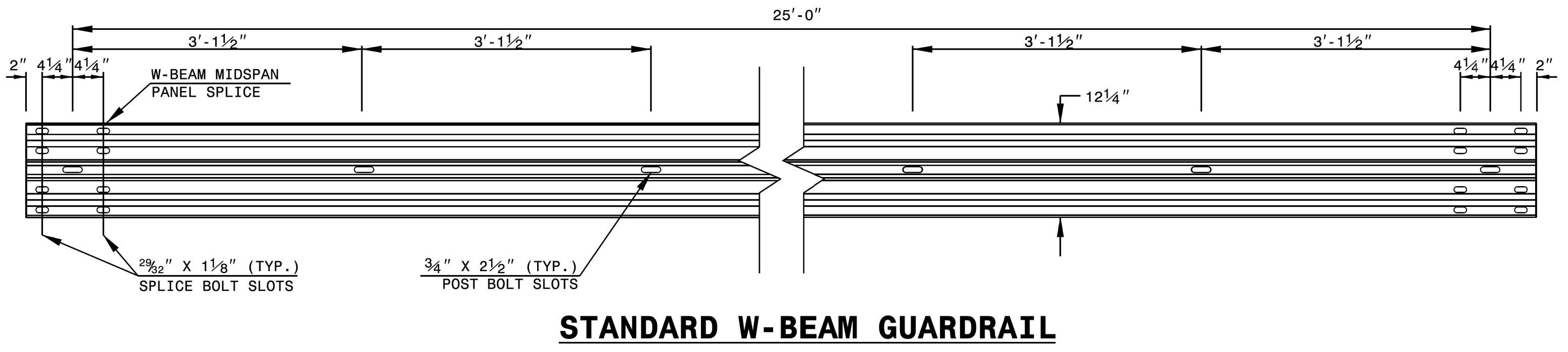


STATE OF NORTH CAROLINA
DEPT. OF TRANSPORTATION
DIVISION OF HIGHWAYS
RALEIGH, N.C.

ROADWAY DETAIL DRAWING FOR
GUARDRAIL INSTALLATION

SHEET 6 OF 8
862D02



SYSTEM PARTS

STATE OF NORTH CAROLINA
DEPT. OF TRANSPORTATION
DIVISION OF HIGHWAYS
RALEIGH, N.C.

ROADWAY DETAIL DRAWING FOR
GUARDRAIL INSTALLATION

SHEET 6 OF 8
862D02

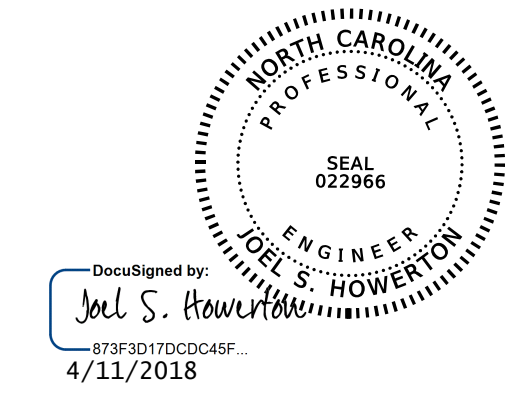
PROJECT NO. 15BPR.25
BRUNSWICK COUNTY
BRIDGE NO. 14

SHEET 1 OF 2

KCA 4800 SIX FORKS ROAD SUITE 120
KISINGER CAMPO & ASSOCIATES RALEIGH, NC 27609
(919) 882-7839

DRAWN BY : JACOB H. DUKE DATE : 03-2018
CHECKED BY : AARON J. MCMILLAN DATE : 03-2018
DESIGN ENGINEER OF RECORD : SAMUEL L. CULLUM DATE : 03-2018

4/11/2018
C:\4201720.xx-Brunswick-14\Structures\401.560.15BPR.25.SMU.STD01.S-109.090014.dgn
User:jduke



STATE OF NORTH CAROLINA
DEPARTMENT OF TRANSPORTATION
RALEIGH

ROADWAY STANDARD DETAILS

REVISIONS						SHEET NO.
NO.	BY:	DATE:	NO.	BY:	DATE:	S-109
1			3			TOTAL SHEETS
2			4			111

DOCUMENT NOT CONSIDERED FINAL UNLESS ALL SIGNATURES COMPLETED