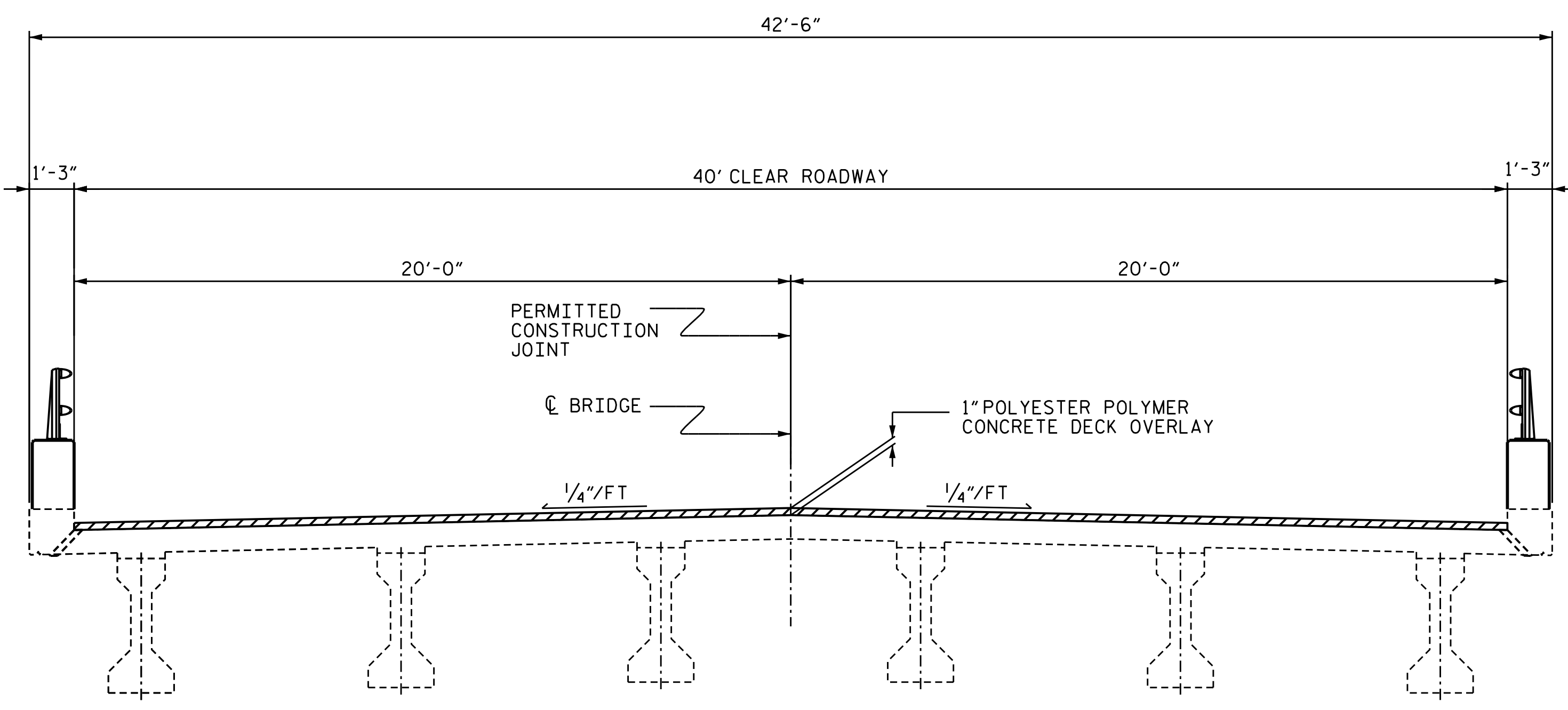


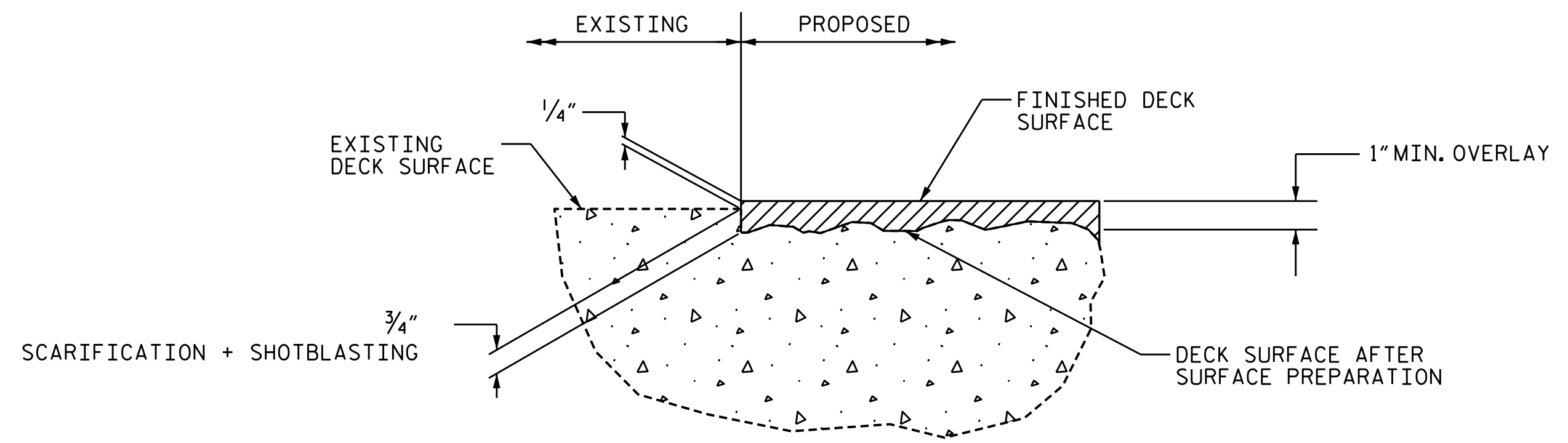
TYPICAL SECTION

(EXISTING SPANS 29 - 65)
(NOTE: NUMBER OF GIRDERS AND SPACING DIFFERENT THROUGHOUT)



TYPICAL SECTION

(PROPOSED SPANS 29 - 65)
(NOTE: NUMBER OF GIRDERS AND SPACING DIFFERENT THROUGHOUT)

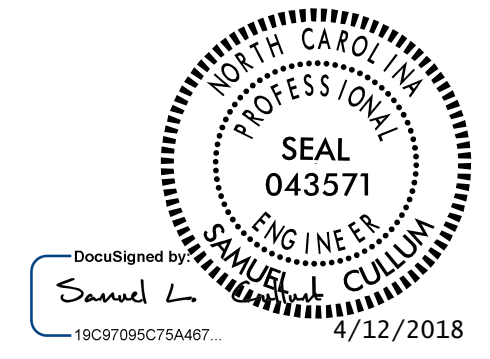


DETAIL FOR PPC OVERLAY

NOTES:

ONLY LONGITUDINAL CONSTRUCTION JOINTS SHALL BE ALLOWED IN THE PPC OVERLAY AND ONLY AT THE PERMITTED LOCATION SHOWN.

PROJECT NO. 15BPR.25
BRUNSWICK COUNTY
 BRIDGE NO. 14



STATE OF NORTH CAROLINA
 DEPARTMENT OF TRANSPORTATION
 RALEIGH
**PPC OVERLAY
 TYPICAL SECTIONS**
 SPANS 29-65

KCA 4800 SIX FORKS ROAD SUITE 120
 KISINGER CAMPO & ASSOCIATES RALEIGH, NC 27609
 (919) 882-7839

DRAWN BY : JACOB H. DUKE DATE : 03-2018
 CHECKED BY : DIEGO A. AGUIRRE DATE : 03-2018
 DESIGN ENGINEER OF RECORD : SAMUEL L. CULLUM DATE : 03-2018

REVISIONS						SHEET NO.
NO.	BY:	DATE:	NO.	BY:	DATE:	S-20
1			3			TOTAL SHEETS
2			4			111

DOCUMENT NOT CONSIDERED FINAL UNLESS ALL SIGNATURES COMPLETED