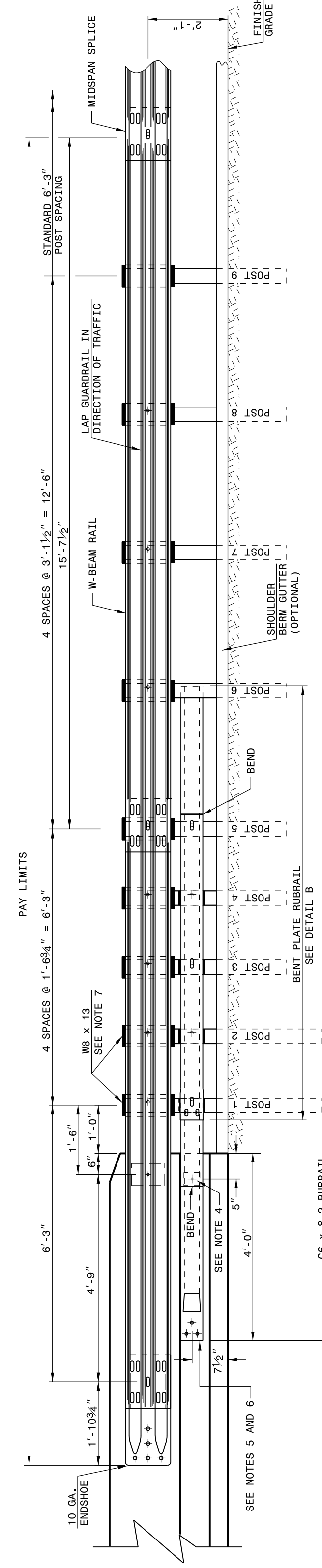


05-JUL-2017 15:49 S:\Contracts\Special Details\Standard Drawings\Division 8\862d01 862d03 862d03\862d03.dgn Jhoverton AT_CSD-25255

STATE OF
NORTH CAROLINA
DEPT. OF TRANSPORTATION
DIVISION OF HIGHWAYS
RALEIGH, N.C.



ELEVATION

- GENERAL NOTES:**
- POSTS 1 THROUGH 5 REQUIRE AN ADDITIONAL HOLE TO ATTACH LOWER BLOCKOUTS AND/OR RUBRAIL; RUBRAIL BLOCKOUTS LOCATED ON POSTS 1 THROUGH 4 ARE OFFSET DRILLED AND SECURED WITH 5/8" BUTT WASHERS. RUBRAIL BLOCKOUTS LOCATED ON POSTS 2 AND 4, SECURE RUBRAIL AND BLOCKOUTS TO POSTS 1 AND 3. RUBRAIL IS SECURED TO POST 5 WITH 5/8" X 1 1/4" LONG BUTT WASHERS. RUBRAIL IS FLARED TO BACK OF POST 6, AND NOT SECURED.
 - 5/8" X 1 1/4" LONG BUTT WASHERS, RECTANGULAR PLATE WASHER, PLATE WASHER, CLAMETER X 9" LONG. ATTACH TUBE TO GUARDRAIL ONLY WITH 3/8" X 3" LAG BOLT WITH FLAT WASHER.
 - SEE DETAIL D FOR SLOPED RUBRAIL BLOCKOUT. BLOCKOUT IS ATTACHED TO RAIL ELEMENT ONLY. USE 3/8" X 3" LAG BOLT WITH FLAT WASHER.
 - TOE OF THE BARRIER OR BRIDGE RAIL.
 - ANCHOR AT EXISTING BRIDGE RAIL AND NEW OR EXISTING BARRIERS. ANCHOR RUBRAIL USING THREE 5/8" X 6" CHEMICALLY ANCHORED BOLTS WITH WASHERS. MAXIMUM PROJECTION FOR BOLTS IS 1/2".
 - AT EXISTING BRIDGE RAIL AND NEW OR EXISTING BARRIERS, ANCHOR THE W-BEAM END SHOE USING A 4 BOLT HOLD DOWN PLATE (SEE STD. DWG. 862.041).
 - INSTALL THE W-BEAM END SHOE BEHIND THE NESTED W-BEAM ELEMENTS.
 - 1 1/2" DIA. HOLES FOR RUBRAIL BLOCKOUTS. ALL OTHER POSTS IN THE ANCHOR UNIT ARE W8 X 8.5.

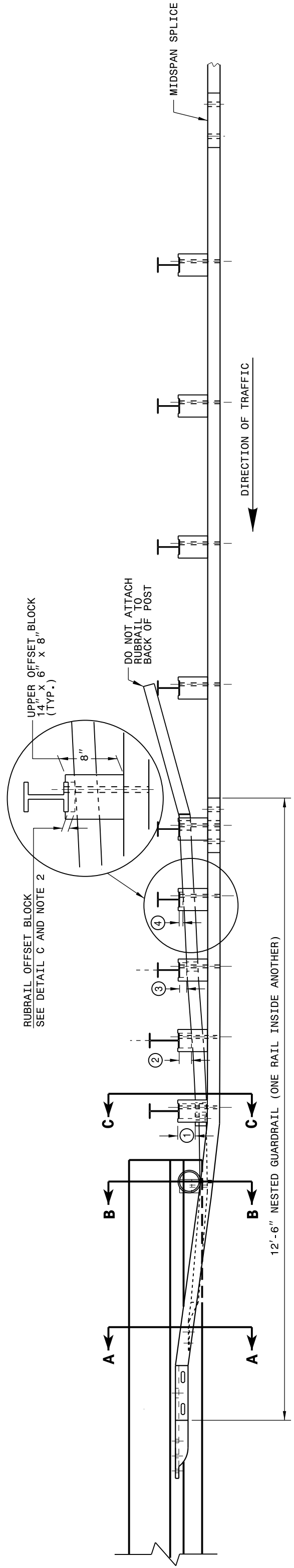
ROADWAY DETAIL DRAWING FOR
GUARDRAIL ANCHOR UNIT
GUARDRAIL ANCHOR UNIT TYPE B-77
FOR F-SHAPE BARRIER

SHEET 4 OF 7
862D03

STATE OF
NORTH CAROLINA
DEPT. OF TRANSPORTATION
DIVISION OF HIGHWAYS
RALEIGH, N.C.

ROADWAY DETAIL DRAWING FOR
STRUCTURE ANCHOR UNIT
FOR F-SHAPE BARRIER

SHEET 4 OF 7
862D03

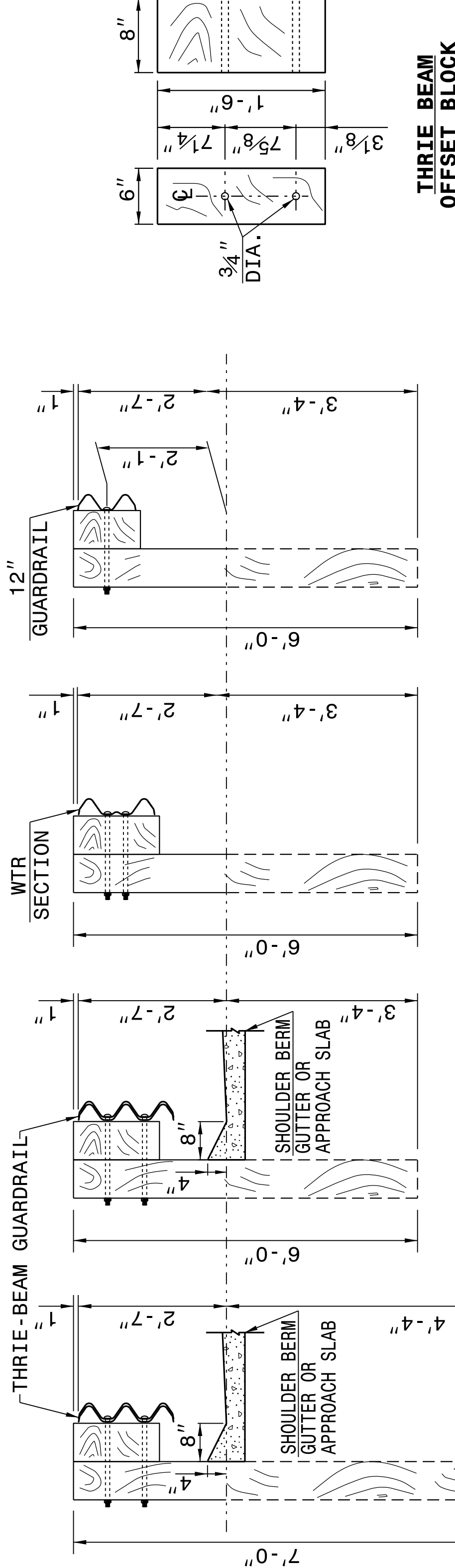


PLAN

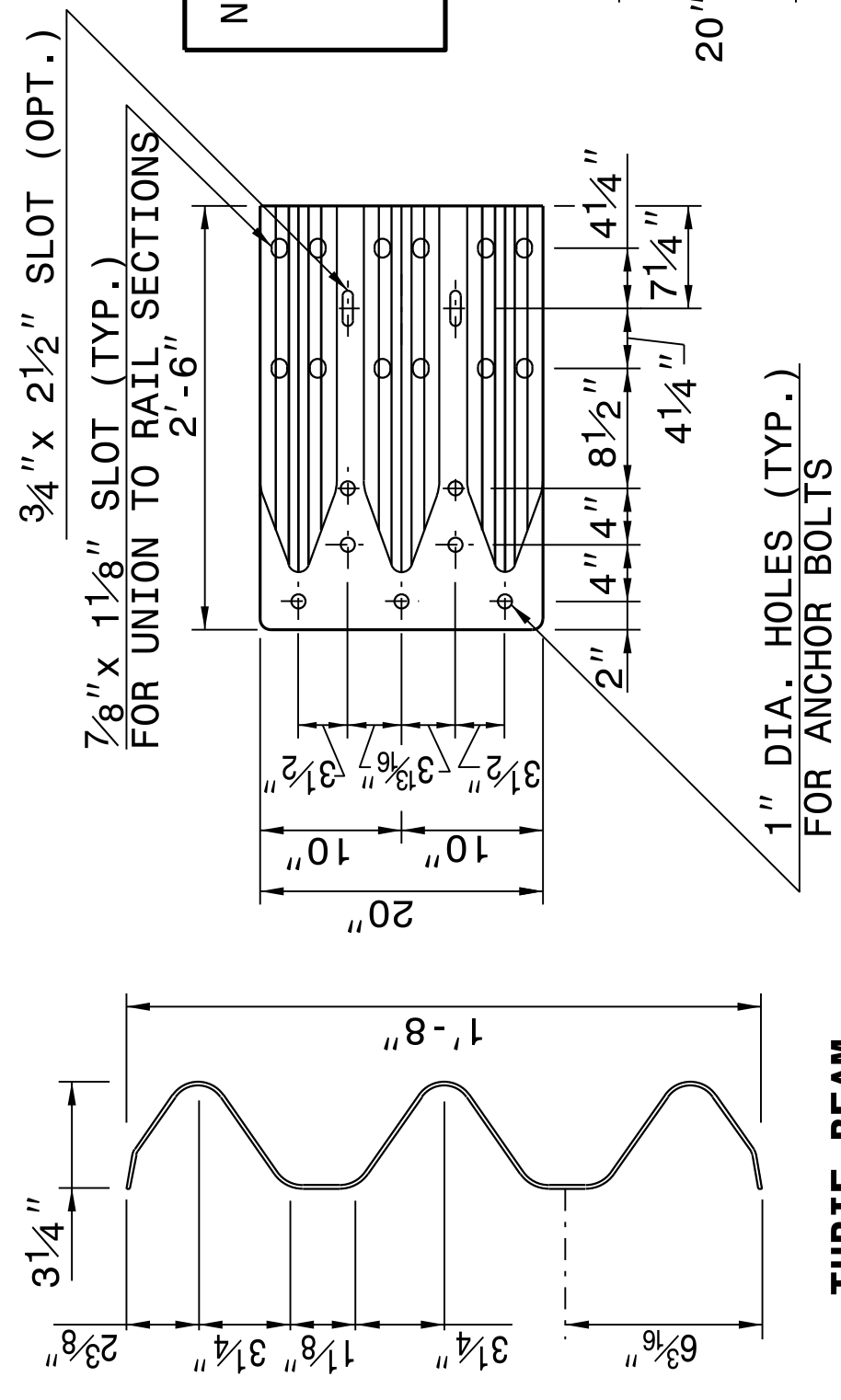
GUARDRAIL ANCHOR UNIT TYPE B-77

STATE OF
NORTH CAROLINA
DEPT. OF TRANSPORTATION
DIVISION OF HIGHWAYS
RALEIGH, N.C.

STATE OF
NORTH CAROLINA
DEPT. OF TRANSPORTATION
DIVISION OF HIGHWAYS
RALEIGH, N.C.

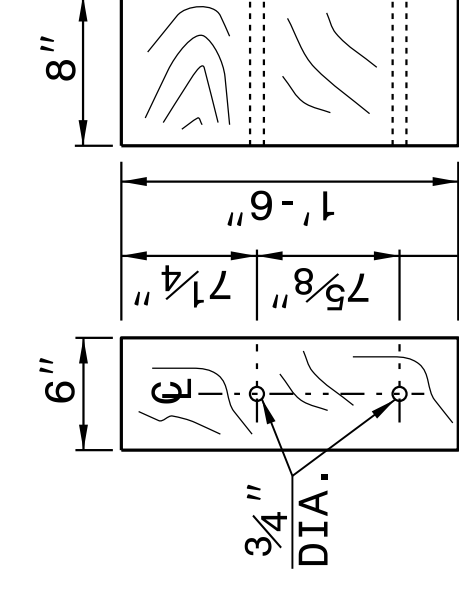


SECTION OF THRIE BEAM POSTS 1 THRU 6 **SECTION OF THRIE BEAM POST 7** **SECTION OF WTR BEAM POST 8** **SECTION OF 'W' BEAM POST 9**



NOTE: THE MID POST AND OFFSET BLOCK OF SPECIAL BOLT HOLE DRILLING IN THE THRIE BEAM OFFSET BLOCK AND LINE POST.

THRIE BEAM OFFSET BLOCK



THRIE-BEAM SECTION

END SHOE

WTR SECTION ELEVATION VIEW

THRIE BEAM LINE POST

ROADWAY DETAIL DRAWING FOR
STRUCTURE ANCHOR UNITS
GUARDRAIL ANCHOR UNIT, TYPE III

ROADWAY DETAIL DRAWING FOR
STRUCTURE ANCHOR UNITS
GUARDRAIL ANCHOR UNIT, TYPE III

SHEET 3 OF 7
862D03

SHEET 3 OF 7
862D03

DOCUMENT NOT CONSIDERED FINAL UNLESS ALL SIGNATURES COMPLETED

CONTRACT STANDARDS AND DEVELOPMENT UNIT
Office 919-707-6950 FAX 919-250-4119

SEE TITLE BLOCK

ORIGINAL BY: J HOWERTON	DATE: 06-22-12
MODIFIED BY:	DATE:
CHECKED BY:	DATE:
FILE SPEC.:	

